

Power Dome™ LT



User's Manual



CHARGE UNIT FOR 48 HOURS BEFORE FIRST USE.

CONTENTS

Important Information	6
General Warnings	6
Storage	6
Proper Disposal	6
Product Features	7
Specifications	7
Front View	8
Rear View	9
Battery Status	10
Charging the Power Dome	10
Jumpstarter	11
Air Compressor	12
Power Inverter	13
DC Output Socket	14
USB Power Port	15
Work Light	15
Troubleshooting	16

Power Dome™ LT by Wagan Tech®

Thank you for purchasing the Power Dome™ LT by Wagan Tech®. With normal care and proper treatment it will provide years of reliable service.

IMPORTANT INFORMATION

- Please read and understand all warnings, cautions, and notes included in this manual before using the Power Dome™ LT. Follow instructions provided by your vehicle manufacturer and other devices intended to be used with this unit. Keep these instructions for future reference.
- Make sure the Power Dome is fully charged before first use. We recommend 48 hours for initial charge.

GENERAL WARNINGS



HIGH VOLTAGE: The inverter output can be lethal. Improper use may result in property damage, personal injury, or loss of life.

- This appliance is NOT intended for use by persons with reduced physical, sensory, or mental capabilities.
- Children or persons lacking in experience and knowledge also should NOT operate this appliance unless he/she has been given supervision or instruction concerning the proper usage and warnings of the appliance by a person responsible for their safety.
- For proper and safe operation of any accessory outlet, do not place anything in it except the plug of the accessory to be used.
- Use only the chargers, cables, and clamps provided. Unauthorized parts may damage the unit.
- This product has no consumer serviceable parts other than the external fuse. Do not attempt to open the unit's enclosure, doing so will void the warranty.

STORAGE

This unit may be stored in any position. Make sure the clamps and air hose are securely tucked away in their original positions. Store in a cool, dry area. If the unit is not used for a prolonged period of time, recharge every 3 months.

PROPER DISPOSAL

- Appliance, accessories, and packaging should be recycled in an environmentally friendly manner. Plastic parts are coded for purposes of separation when recycling.
- Battery-powered electrical appliances contain materials which are harmful to the environment. Do not dispose of batteries and/or electric/electronic appliances in normal household refuse. When the battery has reached the end of its lifetime, please take the entire unit to a battery recycling facility.

User's Manual—Read before using this equipment

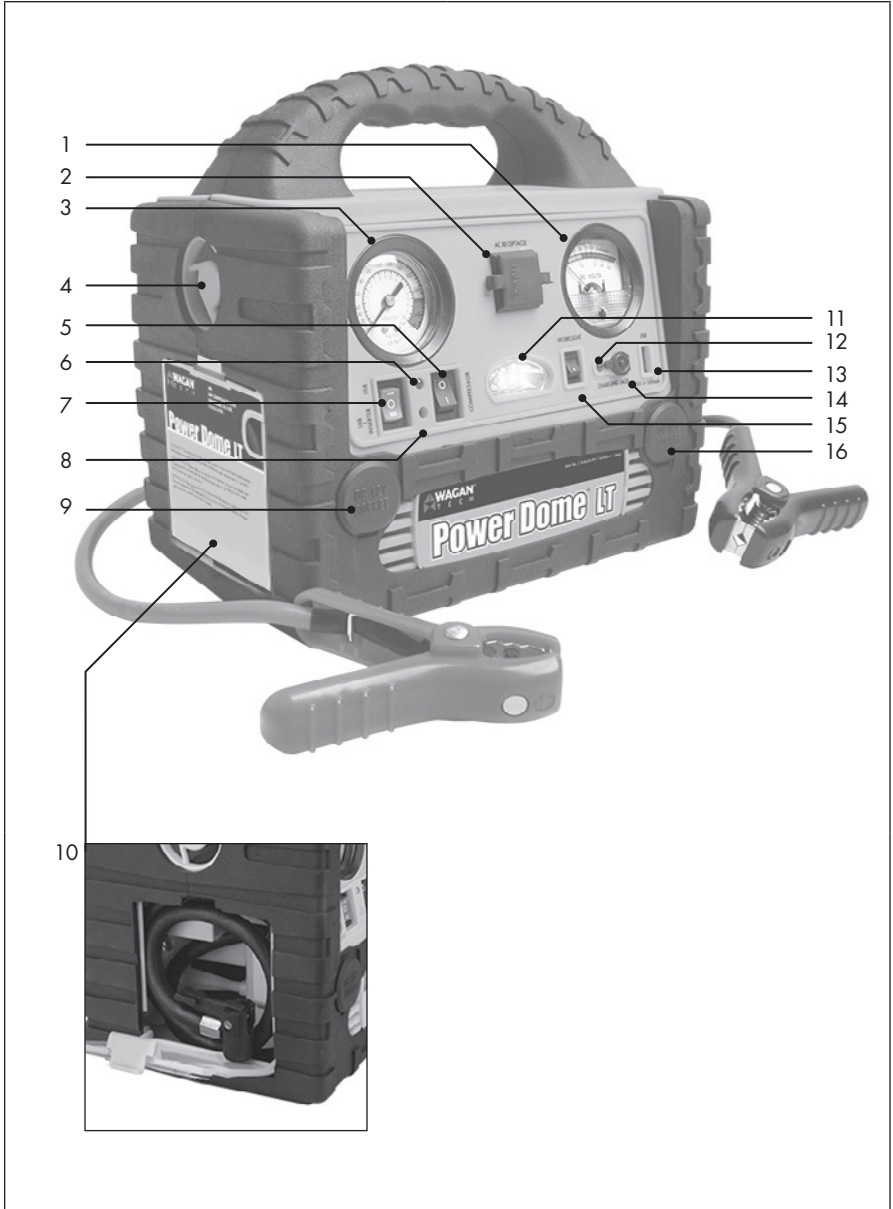
PRODUCT FEATURES

- Powerful jumpstarter with heavy-duty cables and clamps.
- Voltmeter for checking battery status.
- High pressure air flow compressor for inflating tires and sports equipment with easy-read analog pressure gauge.
- Built-in power inverter providing one 115-volt AC outlet.
- Additional DC accessory sockets for powering DC appliances.
- One USB power port for charging mobile devices.
- Bright, long-lasting LED area light.
- AC/DC recharging adapter & DC recharging cable (fused) included.

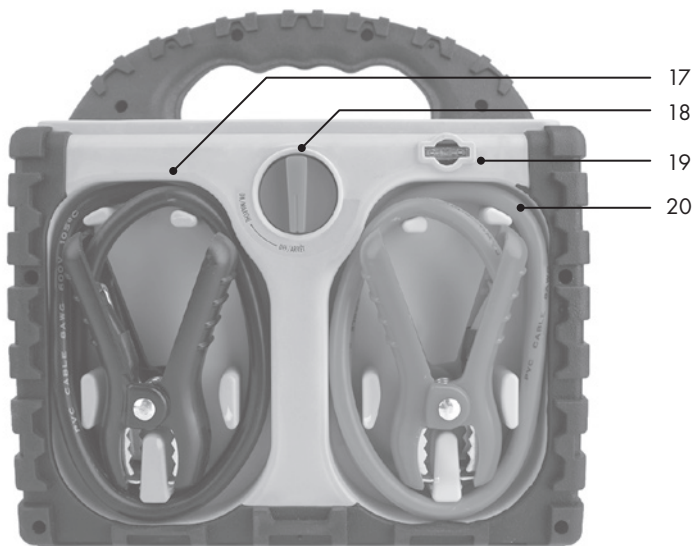
SPECIFICATIONS

Battery	AGM Sealed lead acid, 12V, 12Ah
Peak Amps	300A
Jumper Cables	8 AWG, 18-inch
Air Compressor	260 PSI, analog gauge
Inverter Continuous Output Power	200W (modified sine wave)
Inverter Peak Surge	400W (for a max of 0.3 seconds)
Inverter Low Voltage Alarm	10.5V \pm 0.5V
Low Voltage Shut-off	9.5V \pm 0.5V
Fuse	25A
AC Outlet	115V, 60 Hz
DC Sockets	(2x) 12V, 11A max, 132W
USB Power Port	5V, 2.1 A
Work Light	3-LED
Charging Time (AC)	48 hours
Charging Time (DC—with engine running)	12 hours
Dimensions HxWxD (inches)	9.75 x 9.5 x 6.5
Weight (lb)	9.75
AC Charging Adapter Output	15V, 300mA

FRONT VIEW



REAR VIEW



1. Voltmeter
2. AC Outlet
3. Pressure Gauge
4. Air Vent
5. Air Compressor Switch
6. Master Switch Indicator
7. Inverter/USB Switch
8. Inverter Power Indicator
9. DC Socket
10. Air Compressor Hose

11. LED Worklight
12. Charging Indicator
13. USB Power Port
14. Charging Jack
15. Worklight Switch
16. DC Socket
17. Jumper Cable (negative)
18. Master Switch
19. Fuse
20. Jumper Cable (positive)

BATTERY STATUS

The voltmeter provides the current state of charge on the internal battery. It is the user's responsibility to periodically monitor the battery's status and recharge every 3 months in addition to recharging after each use.

1. Disconnect any input or output power cords.
2. Turn off all power switches except the Master Switch.
3. Read the voltmeter to determine battery status.
 - < 12V: Battery is discharged, charge immediately
 - ~ 12V: Battery should be charged before jumpstarting a vehicle
 - > 12.5V: Battery is fully charged

CHARGING THE POWER DOME



ELECTRICAL SHOCK! Exposure to water may cause electrical shock. Exposure to water and excessive moisture will also damage the unit and void the warranty.

Charge your Power Dome in an upright position for a full 48 hours before initial use. The Power Dome can be charged continuously via AC adapter without damaging the internal battery. In order to prolong the life of the Power Dome (as with all lead-acid batteries), be sure to fully recharge the unit every 3 months even if the Power Dome has not been used.

AC Charging

Only use the AC charging adapter supplied with this unit. Make sure the supplied AC/DC charging adapter is powered by the correct voltage (110V AC or 220V AC depending on your country/region).

1. Make sure all Power Dome switches are off (including the Master Switch).
2. Open the dust cover on the charging jack.
3. Plug the DC end of the AC/DC charging adapter into the Power Dome's charging jack.
4. Connect the AC end of the AC/DC charging adapter to the wall outlet.
5. The charging indicator will light up during the charging process.
6. When charge is complete, disconnect the adapter from the AC outlet first, then from the charging jack.
7. Replace the dust cover on the charging jack.

DC Charging in Your Vehicle or Boat

Only use the DC charging adapter supplied with this unit. Your vehicle engine **must be running** while charging the Power Dome. **Do NOT exceed 12 hours** of continuous charging time.

1. Make sure all Power Dome switches are off (including the Master Switch).
2. Open the dust cover on the charging jack.
3. Plug the small end of the DC power cord into the Power Dome's charging jack.
4. Plug the large end of the DC power cord into an accessory (cigarette lighter) socket.

User's Manual—Read before using this equipment

5. The charging indicator will light up during the charging process. Do NOT charge for more than 12 hours at one time.
6. When charge is complete, disconnect the power cord from the accessory socket first, then from the unit's charging jack.
7. Replace the dust cover on the charging jack.

JUMPSTARTER

Warnings

- Lead-acid batteries can release explosive gases. Failure to follow instructions may cause property damage, explosion hazard, and/or personal injury.
- Do not smoke while jumpstarting.
- Jumpstart a vehicle or boat in a well ventilated area.
- Do not attempt to jumpstart a frozen battery.
- This product is not intended for use in the rain or temperatures above 130°F.
- Do not let the jumper cables or other attached appliances get wet.
- Do not wear vinyl clothing when jumpstarting—friction can cause static electricity sparks.
- Remove all metal jewelry to avoid short circuits.
- Always use safety glasses when jumpstarting battery. Keep battery terminals clean and be careful to keep corrosion from coming in contact with eyes—acid can cause blindness and/or severe burns.
- Never allow red and black clamps to touch or connect to the same piece of metal—this can cause short-circuits, power arcing, and/or explosion.
- Make sure someone is available to give assistance if needed.
- Keep out of reach of children.
- This unit is for use with 12 volt systems only.

Operation

CAUTION: If the engine fails to start after three attempts, discontinue jumpstart procedure. Excessive engine cranking can damage the vehicle's starter motor. Look for other problems that may need to be corrected or call for professional service.

1. Review the Jumpstarter warnings.
2. Put the vehicle's gear in "park" position and make sure the brake is set.
3. Turn off the vehicle ignition and accessories (e.g. radios, lights, air conditioners), and disconnect all devices such as GPS and mobile phones or tablets.
4. Turn off all Power Dome switches and disconnect all accessories.
5. Determine the polarity of the vehicle's battery terminals. The positive (POS, P, +) battery terminal is usually larger in diameter than the negative (NEG, N, -) terminal. If you are unsure, you should refer to the vehicle owner's manual.

6. Determine the ground system of your vehicle.
 - If vehicle to be started has a negative ground system (this is most common):
 - a. Connect the red (+) cable clamp first to the vehicle's positive (red) battery terminal.
 - b. Next, connect the black (-) clamp to the vehicle chassis or a solid, non-moving, metal vehicle component or body part. DO NOT clamp directly to negative battery terminal or a moving part.
 - If vehicle to be started has the positive battery terminal connected to chassis (this is rare and usually found in older car models from the 1950s or earlier):
 - a. Connect the black (-) clamp first to vehicle battery's negative (black) terminal.
 - b. Connect red (+) clamp to vehicle chassis or a solid, non-moving, metal vehicle component or body part. DO NOT clamp directly to positive battery terminal or a moving part.
7. Turn on the Master Switch.
8. Inside the vehicle, turn on the ignition switch and attempt to start the engine.
9. Crank a maximum of 3 seconds. If the engine does not start, wait 3 minutes before the next attempt.
10. After the engine starts, turn off the Master Switch.
11. Disconnect the clamps in the reverse order of connection prior to jumpstarting.
12. Be sure that the cables and clamps are securely stored.
13. Recharge the Power Dome as soon as convenient.

AIR COMPRESSOR

This Power Dome is equipped with an air compressor that can provide up to 260 PSI (pounds per square inch) of pressure for a variety of uses such as vehicle tires and sports equipment.

CAUTION: Be careful not to over inflate, monitor the compressor gauge while inflating. Never connect or disconnect the nozzle with the compressor operating. To avoid overheating, do not operate the air compressor for more than 10 minutes at a time. After 10 minutes, allow the compressor to cool for 15 minutes before using again.

Operation

In the event that the vehicle tire is completely flat, raise the vehicle using a recommended jack before inflating the tire.

1. Before any tire inflation, look for manufacturer's recommended inflation pressure.
2. Open the compartment door on the side of the Power Dome and extend the air hose.
3. Position the Power Dome so that you can see the pressure gauge.
4. Make sure the chuck lever is positioned up (away from the chuck opening).
5. Determine if you will need an air hose adapter for your object.
 - To inflate a vehicle tire:
 - a. Remove the valve cap from the valve stem of the tire.

User's Manual—Read before using this equipment

- b. Attach the chuck of the air hose to the tire's valve stem.
- c. Push the chuck lever down to secure the chuck to the valve stem.
- To inflate a sports equipment, air mattress, rafts, or other plastic inflatables:
 - a. Insert the proper valve stem adapter into stem connector as far as possible.
 - b. Push the chuck lever down to secure the adapter.
 - c. Remove the valve cap from your inflatable object if there is one.
 - d. Insert the other end of the valve stem adapter into inflatable's air valve opening as far as possible.
6. Turn the Master Switch on.
7. Set the Air Compressor Switch on to the "I" position to start inflation.
8. Monitor the pressure gauge while inflating the tire.
9. When recommended tire pressure has been reached, turn off the air compressor.
10. Disconnect the hose and replace valve cap.
11. Return the hose back to its compartment for storage.
12. Turn the Master Switch off. The indicator light will gradually dim until it is off.
13. Recharge the Power Dome as soon as it is convenient.

POWER INVERTER

The Power Dome™ LT can run most AC appliances up to 200 watts. Operating time is dependant on the AC load (required wattage) and the current charge/condition of the Power Dome's internal battery. Reduced AC loads and/or having a full charge on the internal battery will result in longer operating time. Ordinary overloads will cause the inverter to automatically shut down. Reduce the load and restart the inverter.

There is a user-replaceable automotive-type fuse protecting the inverter from an unlikely excessive power draw or short circuit. **REPLACE ONLY WITH THE SAME TYPE AND RATING FUSE.** To replace the fuse, simply pull it out with a pair of needle nose pliers and insert the new fuse.

Caution

Some rechargeable devices are equipped with a separate AC charger. These devices are likely to operate properly with the inverter in this unit. Rechargeable devices that have built-in chargers (see your device's user manual) may not operate properly with this unit because the inverter is modified sine wave.

Some motorized devices may operate at excessively elevated temperature when used with this inverter. During first use with this inverter, check for excessive motor temperature. Abnormally elevated temperature of the device is an indication that they should not be used together.

Operation

1. Check the required current draw of the appliance/device to be powered and make sure it does not exceed the Power Dome's maximum wattage.

2. Prior to plugging in your device, turn your power tool or appliance off. Mobile devices are fine to keep on, but operating them during the charging process will prolong charging time.
3. Open the AC outlet dust cover.
4. Connect the electrical plug of your device/appliance to the AC outlet.
5. Turn the Master Switch on.
6. Set the Inverter/USB Switch to the “| |” position. Check for the indicator to be lit.
 - After use, remove the device/appliance plug, close the dust cover, and turn the Inverter/USB Switch off.
7. Turn the Master Switch off.
8. Recharge the Power Dome as soon as it is convenient.

DC OUTPUT SOCKET

The DC accessory socket can power a DC load up to 10 Amps. Overloading the socket will result in tripping the self-resetting circuit breaker. Removing the overload automatically restores power to the DC socket. For proper and safe operation of the 12 Volt DC power accessory sockets, do not place anything in them except the 12V DC plug of the accessory to be used.

1. Check the required current draw of the appliance/device to be powered and make sure it does not exceed the Power Dome’s maximum wattage.
2. Remove the dust cover from the DC socket.
3. Insert the 12V DC plug of your device/appliance(s) into either of the Power Dome’s DC socket(s).
4. Turn the Master Switch on.
5. Operate your device/appliance as usual.
6. After use, remove the device/appliance’s plug(s), close the dust cover(s), and turn the Master Switch off.
7. Recharge the Power Dome as soon as convenient.

USB POWER PORT

1. Connect a user-supplied USB cable to the USB power port on the Power Dome.
2. Turn the Master Switch on.
3. Set the Inverter/USB Switch to "I" position. (You may also choose to operate the USB and AC outputs at the same time by setting the switch to the "II" position.)
4. Operate your mobile device as usual.
5. After use, disconnect the USB cable and turn the Inverter/USB Switch off.
6. Recharge the Power Dome as soon as convenient.

WORK LIGHT

1. Turn on the Master.
2. Set the Light Switch to the "I" position.
3. The light will illuminate.
4. Turn off the light when it is not in use.

TROUBLESHOOTING

Problem	Cause	Solution
Air compressor shut-off.	High temperature protection.	Allow the Power Dome cool for about 10 minutes.
Lack of power output.	Power Dome battery voltage is below 10 volts.	Recharge the Power Dome immediately.
	Excessive current drawn by appliance being operated.	Reduce load to maximum wattage.
		<ol style="list-style-type: none"> 1. Turn off the device and inverter. 2. Disconnect device. 3. Turn the inverter on and let it run for a minimum of 2 minutes. 4. Turn inverter off. 5. Quickly plug device into inverter. 6. Turn on both the inverter and the device.
Inverter fuse blown.	Check and replace if necessary. Be sure replacement fuse is the same type and rating.	
Loud buzzing sound.	Battery charge level is too low.	<ol style="list-style-type: none"> 1. Disconnect all appliances. 2. Turn inverter off. 3. Charge Power Dome fully. <i>(See charging section for more details.)</i>
Inverter Power Indicator is not lit.	Excessive voltage drop.	Check internal battery status and recharge if voltage drops below 10 volts.
	Inverter is overloaded.	Reduce load to maximum wattage.
Inverter automatically shuts down.	AC overload.	Unplug and power off to restart then reduce AC load to maximum wattage.
Television/power tool will not start.	Required wattage exceeds Power Dome peak surge for start-up.	Toggle the Inverter Switch on and off in quick succession for 5 times. If the device does not start, the device is not compatible with this type of inverter.
Television Interference.	Picture breaking up (static).	Place the Power Dome as far as possible from the TV, antenna, and coaxial cable.
		TV station may be out of range.
Static/noise interference in audio system.	Sound system has weak alternating current shielding.	Do not use the Power Dome's inverter with low-quality audio AC filtering system.
		Replace audio system with high quality noise filtering.