

The VE-BUS BMS is enlarged visible in this drawing. The BMS GND is not connected to prevent ground loops. Ground comes through the VE-BUS UTP cable.

KEEP POSITIVE BATTERY CABLES ALL AT THE SAME LENGTH!

2 x Lithium 12.8V-100Ah Smart LiFePO4

KEEP NEGATIVE BATTERY CABLES ALL AT THE SAME LENGTH!

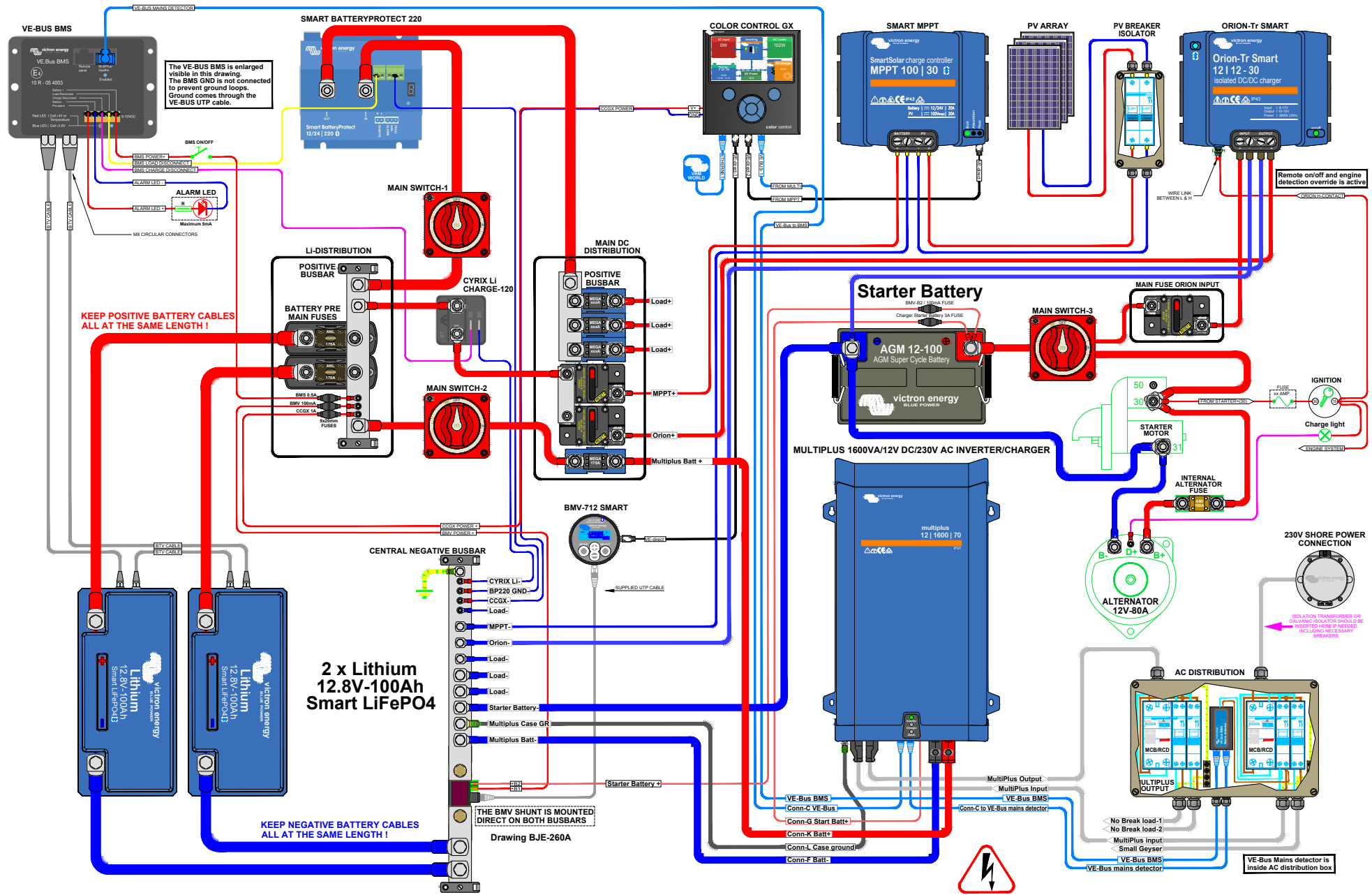
**Recommended AC Out cable/breaker size MultiPlus**  
 With Power assist the MultiPlus can add 1.3 kW to the output load when needed. Together with the adjustable 16A input this all adds up to the max sum of input and output current of 16+5.8=21.8A. An Earth leakage with breaker or a combination MCB/RCD must be installed on the output. Cable size must be adjusted accordingly.

**Recommended DC cable/fuse size MultiPlus**  
 0-5 m cable length; 80SQmm  
 Cable length stands for the total distance between the battery connections plus and minus and the MultiPlus connections! Recommendations are without other loads in the system and these also should be taken into account for proper main battery, main fuse & main switch cables!  
**INTERNAL Fuse size should be 200A.**

**Recommended AC In cable/breaker size MultiPlus**  
 AC IN must be protected by a circuit breaker rated at 16A max or less. This depends heavily on the size of the connected power source. The input current must be adjusted to fit the size of the connected power source. The breaker and cable size for AC IN should be adjusted accordingly.

**WARNING**  
 230 VOLT IS EXTREMELY HAZARDOUS DO NOT TOUCH ANY LIVE WIRED PARTS OF THE INSTALLATION! WHEN IN DOUBT, ALWAYS CONSULT YOUR VICTRON DEALER!

VE-Bus Mains detector is inside AC distribution box



The VE-BUS BMS is enlarged visible in this drawing. The BMS GND is not connected to prevent ground loops. Ground comes through the VE-BUS UTP cable.

KEEP POSITIVE BATTERY CABLES ALL AT THE SAME LENGTH!

KEEP NEGATIVE BATTERY CABLES ALL AT THE SAME LENGTH!

2 x Lithium 12.8V-100Ah Smart LiFePO4

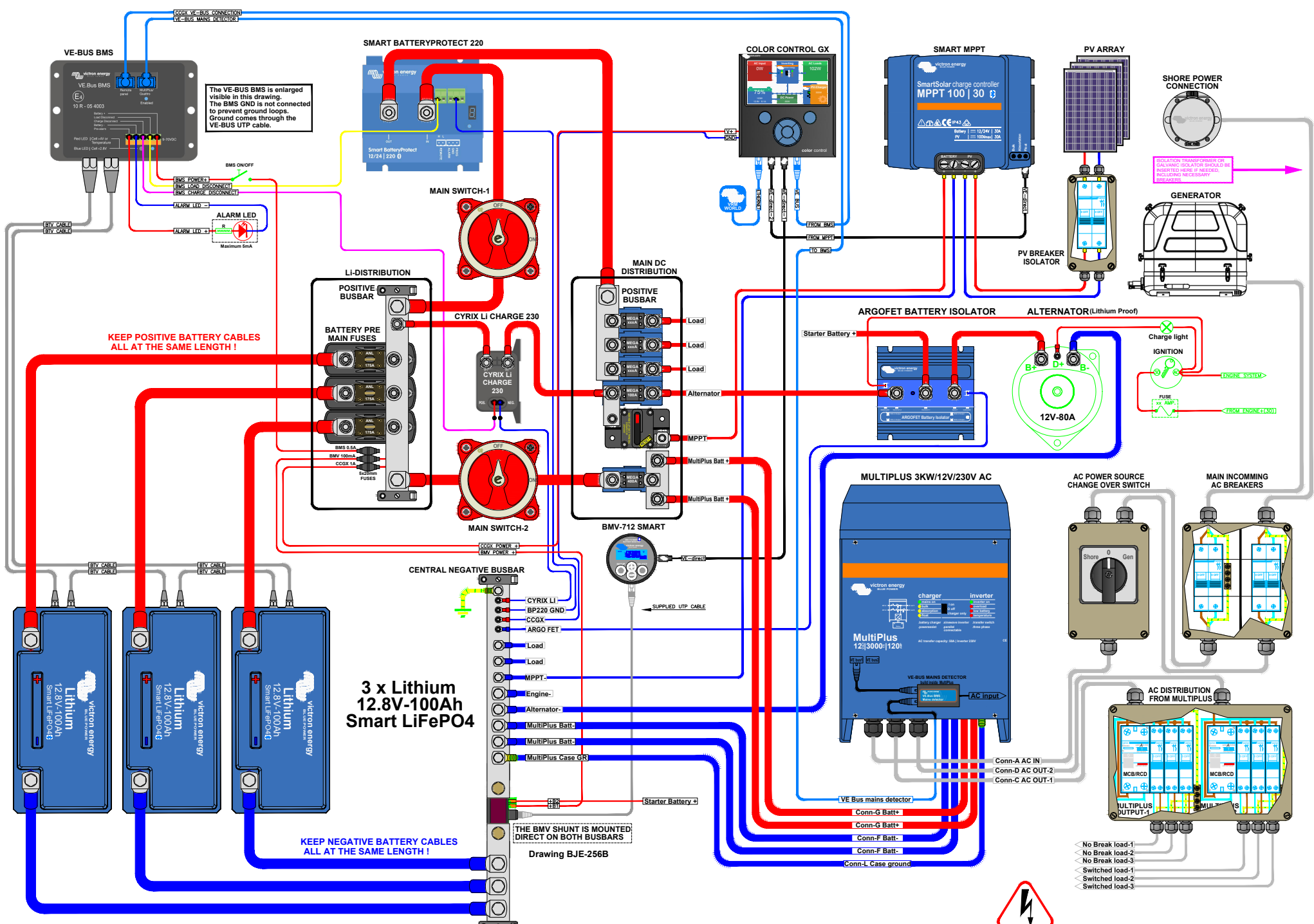
**Recommended AC Out cable/breaker size MultiPlus**  
 With Power assist the MultiPlus can add 1.3 kW to the output load when needed. Together with the adjustable 16A input this all adds up to the max sum of input and output current of 16+6.9=21.6A. An Earth leakage with breaker or a combination MCB/RCD must be installed on the output. Cable size must be adjusted accordingly.

**Recommended DC cable/fuse size MultiPlus**  
 0-5 m cable length; 80SQmm  
 Cable length stands for the total distance between the battery connections plus and minus and the MultiPlus connections! Recommendations are without other loads in the system and these also should be taken into account for proper main battery, main fuse & main switch cables! INTERNAL Fuse size should be 200A.

**Recommended AC In cable/breaker size MultiPlus**  
 AC IN must be protected by a circuit breaker rated at 16A max or less. This depends heavily on the size of the connected power source. The input current must be adjusted to fit the size of the connected power source. The breaker and cable size for AC IN should be adjusted accordingly.

**WARNING**  
 230 VOLT IS EXTREMELY HAZARDOUS DO NOT TOUCH ANY LIVE WIRED PARTS OF THE INSTALLATION! WHEN IN DOUBT, ALWAYS CONSULT YOUR VICTRON DEALER!

VE-Bus Mains detector is inside AC distribution box



**Smart BatteryProtect programming**  
 The BatteryProtect must be programmed for Li-Ion mode and 24 Volt either through programming on the device itself or with a Bluetooth enabled smartphone or tablet. Connect the load disconnect output of the VE.Bus BMS to Remote H terminal.

**Recommended AC Out-2 cable/breaker size MultiPlus**  
 AC Out-2 only is available when power is present on AC In-1. During battery operation it will be disconnected. AC Out-2 supports up to 16A and is adjustable. An Earth leakage with breaker or a combination MCB/RCD must be installed on the output. Cable size must be adjusted accordingly.

**Recommended AC Out-1 cable/breaker size MultiPlus**  
 With Power assist the MultiPlus can add 3KW to the output load when needed. Together with the adjustable 50A input this all adds up to the max sum of input and output current of 50+13=63A. An Earth leakage with breaker or a combination MCB/RCD must be installed on the output. Cable size must be adjusted accordingly.

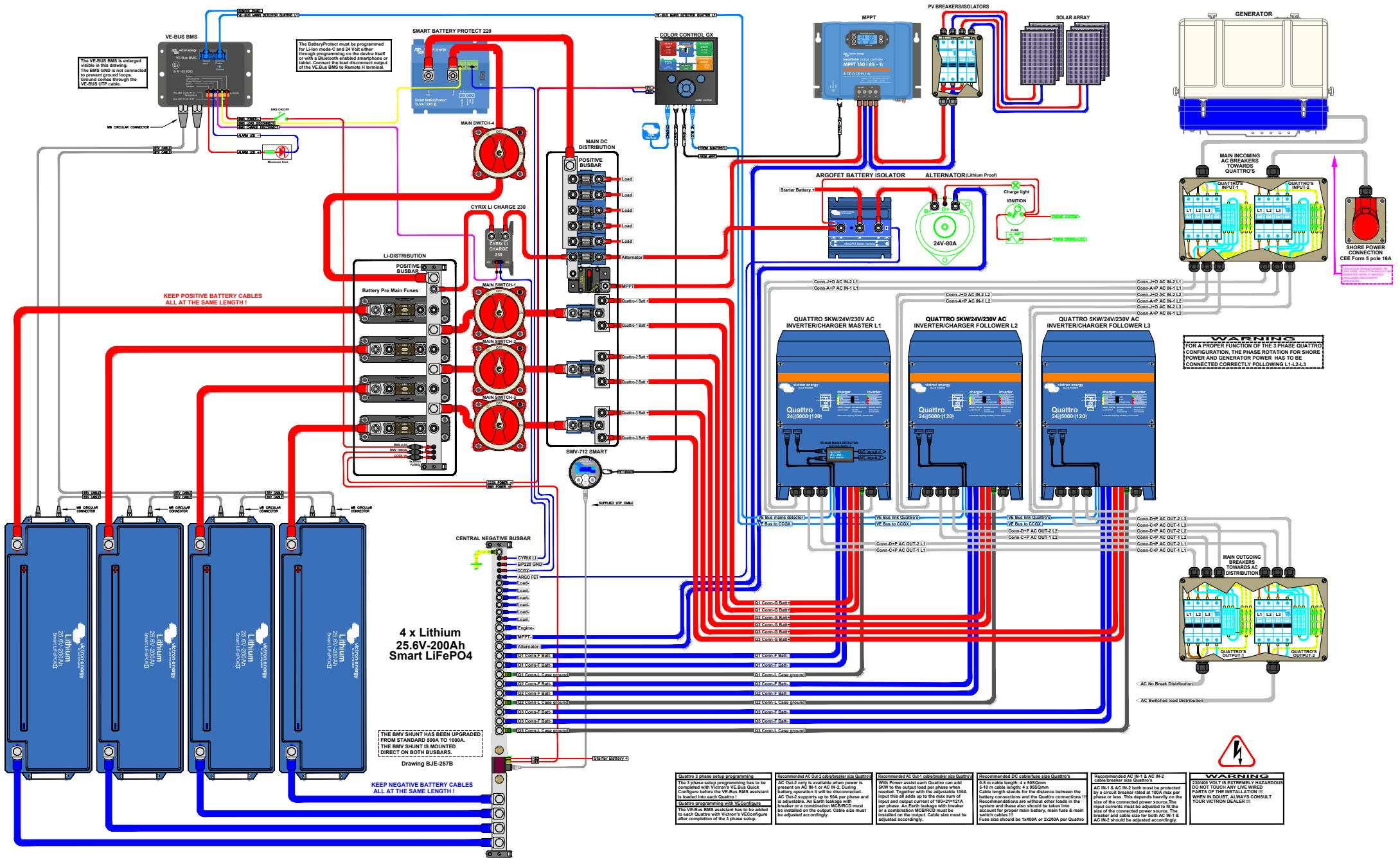
**Recommended DC cable/fuse size MultiPlus**  
 0-5 m cable length: 4 x 50Sqrmm  
 5-10 m cable length: 4 x 70Sqrmm  
 Cable length stands for the distance between the battery and the MultiPlus connections !!! Recommendations are without other loads in the system and these also should be taken into account for proper main battery, main fuse & main switch cables !!!  
 Fuse size should be 1 x 400A or 2 x 200A

**Recommended AC IN cable/breaker size MultiPlus**  
 AC IN must be protected by a circuit breaker rated at 50A or less. This depends heavily on the size of the connected power source. The input currents must be adjusted to fit the size of the connected power source. The breaker and cable size for AC IN should be adjusted accordingly.

**WARNING**  
 230 VOLT IS EXTREMELY HAZARDOUS DO NOT TOUCH ANY LIFE WIRED PARTS OF THE INSTALLATION !!!  
 WHEN IN DOUBT, ALWAYS CONSULT YOUR VICTRON DEALER !!!



THE BMW SHUNT IS MOUNTED DIRECT ON BOTH BUSBARS  
 Drawing BJE-256B



Looking for dependable RV batteries? [Rely on Victron Energy for quality and long-lasting products.](#)