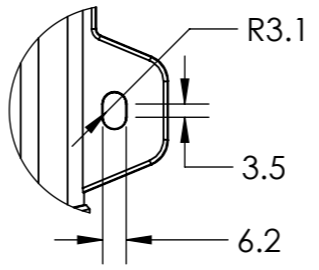
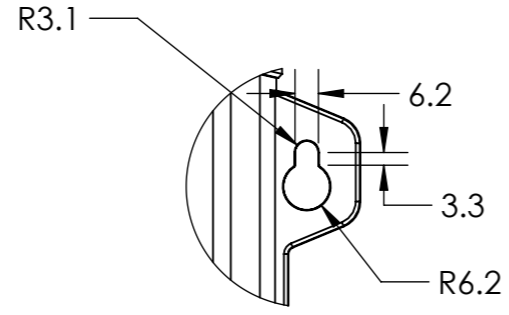
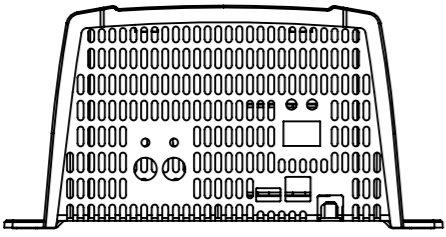
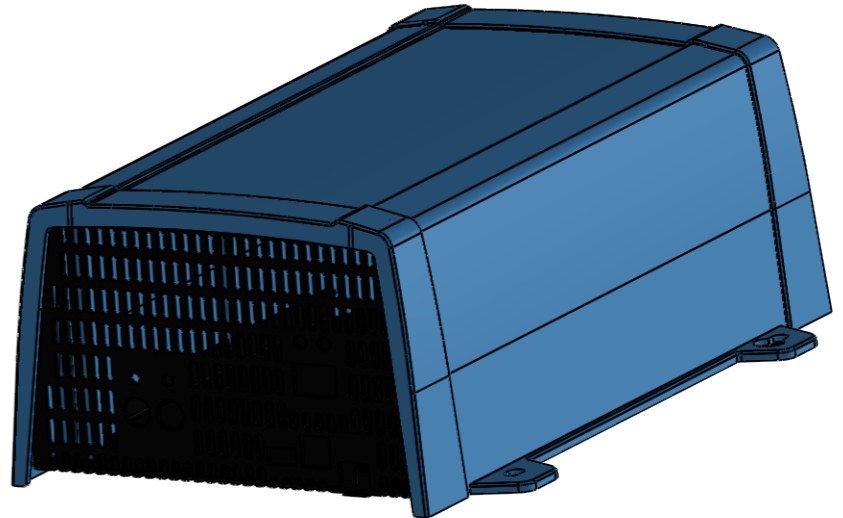
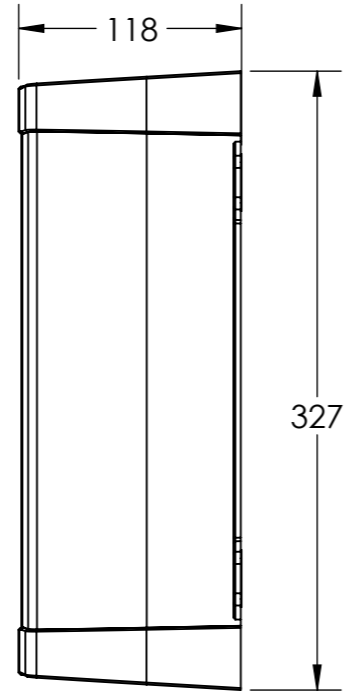
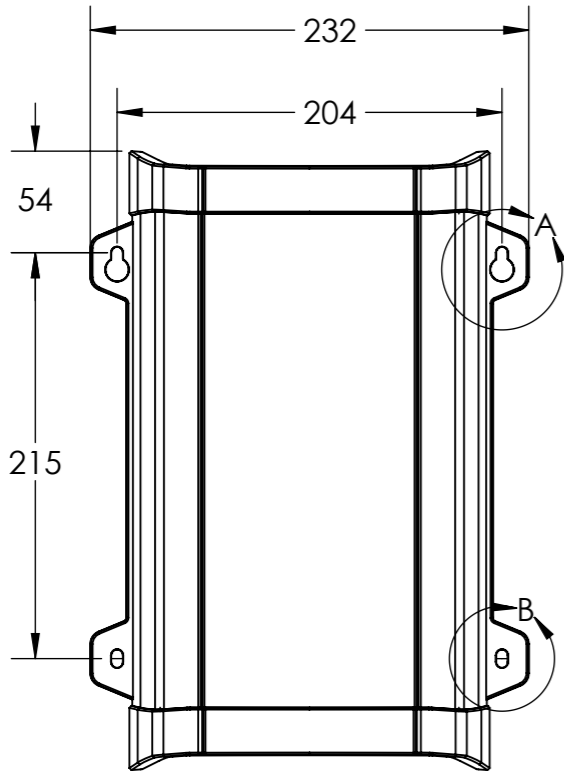


Dimension Drawing - Phoenix Inverter	
PIN242120100	Phoenix Inverter 24/1200 230V VE.Direct IEC
PIN242120200	Phoenix Inverter 24/1200 230V VE.Direct SCHUKO
PIN242120300	Phoenix Inverter 24/1200 230V VE.Direct AU/NZ
PIN242120400	Phoenix Inverter 24/1200 230V VE.Direct UK
PIN242120500	Phoenix Inverter 24/1200 120V VE.Direct NEMA 5-15R
PIN482120100	Phoenix Inverter 48/1200 230V VE.Direct IEC
PIN482120200	Phoenix Inverter 48/1200 230V VE.Direct SCHUKO
PIN482120500	Phoenix Inverter 48/1200 120V VE.Direct NEMA 5-15R



Dimensions in mm



victron energy

BLUE POWER