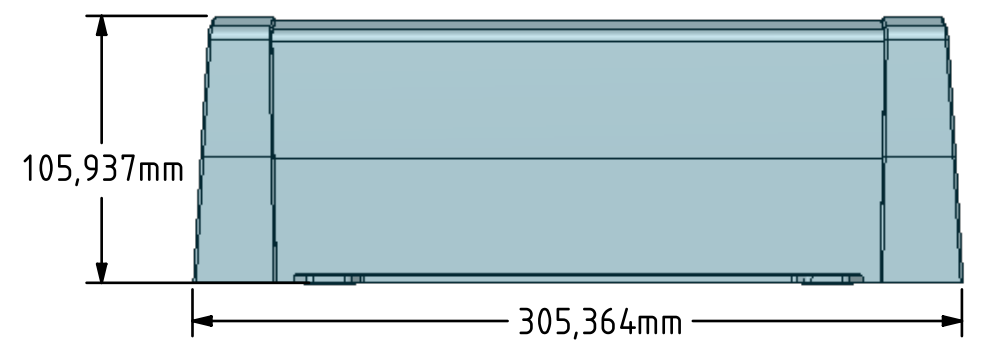
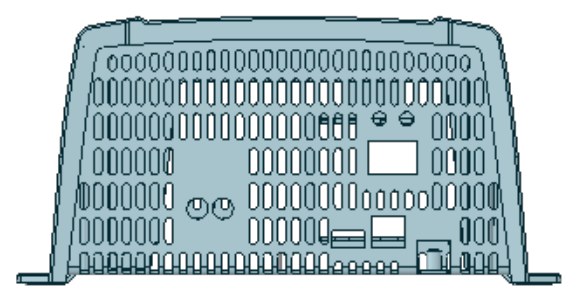
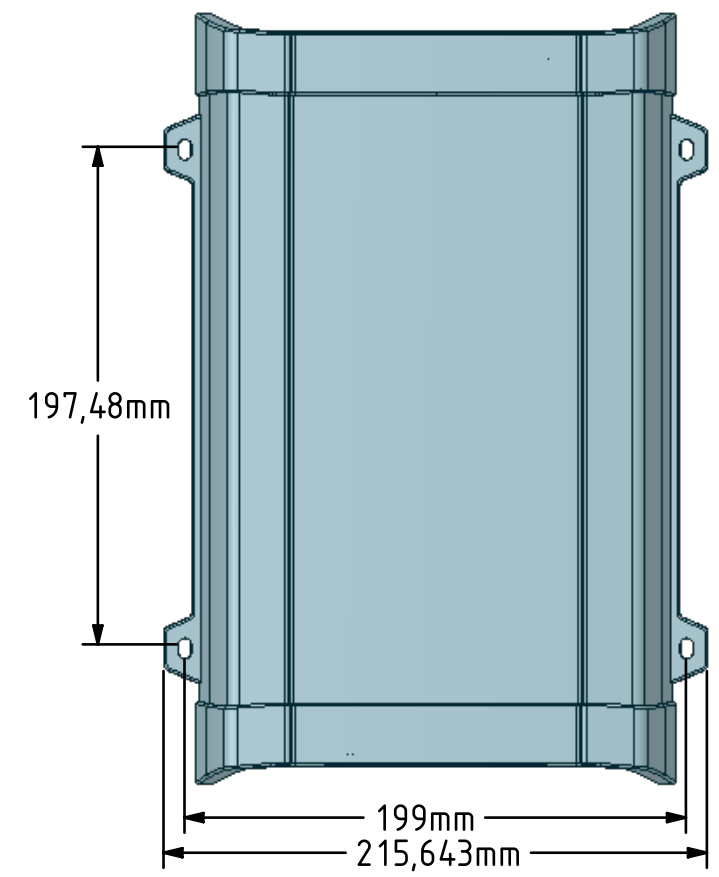




REVISION HISTORY

REV	DESCRIPTION	INCRP BY	DATE	CHECKED
-----	-------------	----------	------	---------

NOTES:

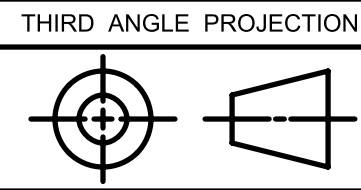


QTY REQD	ITEM NO.	PART OR IDENTIFYING NO.	NOMENCLATURE OR DESCRIPTION
----------	----------	-------------------------	-----------------------------

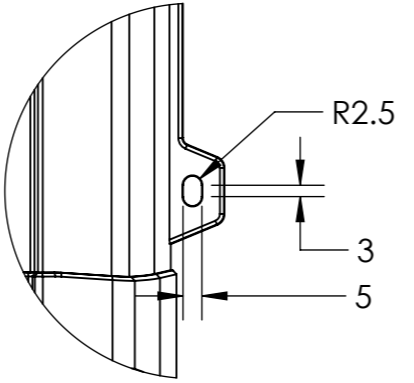
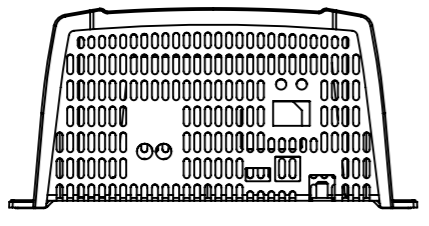
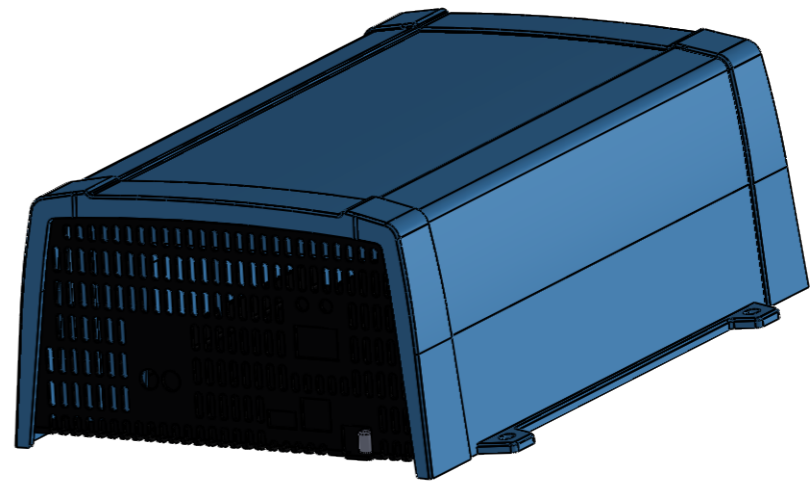
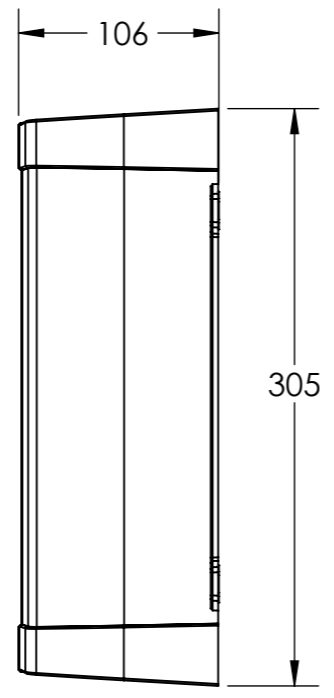
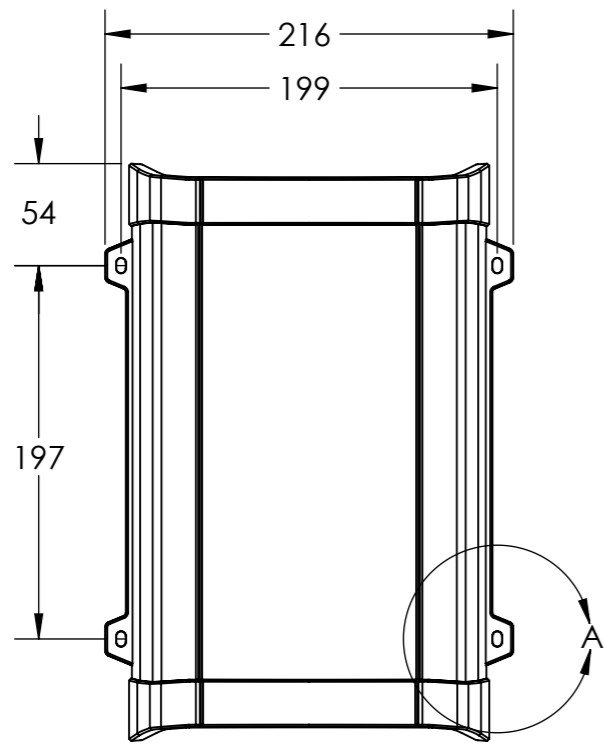
PARTS LIST

INIT	APPROVALS	DATE	INIT	APPROVALS	DATE				
						SIZE	CAGE CODE	DWG NO.	REV
						B			
						SCALE		SHEET	

CONTRACT NO.		MATERIAL
		FINISH
		TREATMENT
NEXT ASSY	USED ON	SIMILAR TO
APPLICATION		



Dimension Drawing - Phoenix Inverter	
PIN241800100	Phoenix Inverter 24/800 230V VE.Direct IEC
PIN241800200	Phoenix Inverter 24/800 230V VE.Direct SCHUKO
PIN241800300	Phoenix Inverter 24/800 230V VE.Direct AU/NZ
PIN241800400	Phoenix Inverter 24/800 230V VE.Direct UK
PIN241800500	Phoenix Inverter 24/800 120V VE.Direct NEMA 5-15R
PIN481800100	Phoenix Inverter 48/800 230V VE.Direct IEC
PIN481800200	Phoenix Inverter 48/800 230V VE.Direct SCHUKO
PIN481800300	Phoenix Inverter 48/800 230V VE.Direct AU/NZ
PIN481800400	Phoenix Inverter 48/800 230V VE.Direct UK
PIN481800500	Phoenix Inverter 48/800 120V VE.Direct NEMA 5-15R



Dimensions in mm