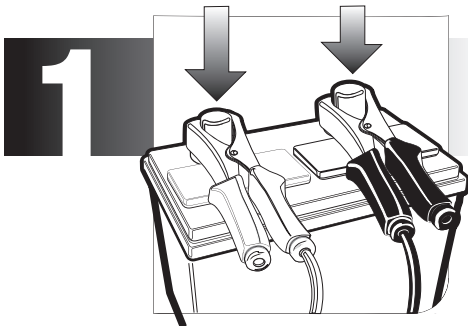


VIAIR®

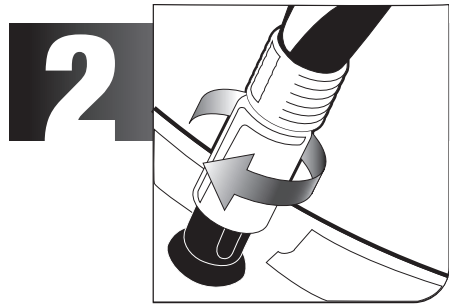
Your Vital Air Source

89P-RVS

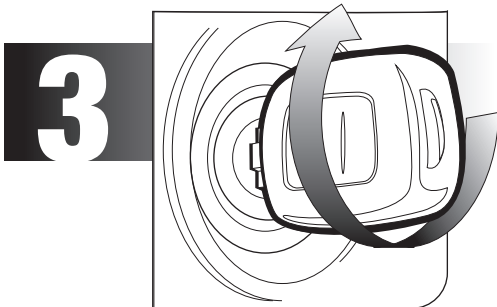
QUICK START GUIDE



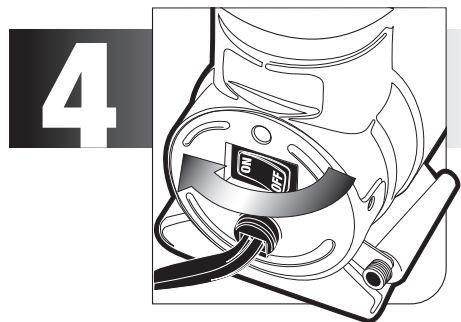
1 Attach the alligator clamps to the battery. Remember: Red to Positive and Black to Negative. Make sure the compressor is in the off (O) position prior to attaching the battery clamps.



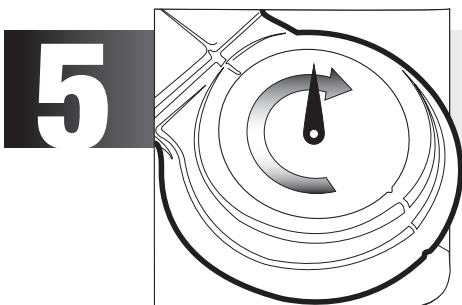
2 Attach the end of the air hose to the valve stem on your tire



3 Start your engine or ensure that the battery you are connecting the compressor to is being charged by shore power.



4 Turn the compressor on. The compressor will power up and begin filling the tire.



5 To check tire pressure, manually turn the compressor off. Once the gauge settles, that will be the accurate pressure in the tire.

VIAIR®
Your Vital Air Source

Learn more about wheel and tire service tools we have.