

**"Lock It Or Lose It"™**

# **T TRIMAX™**

*"The World's Toughest Locks"™*

**MAX Security For ALL Applications!**

*RV's • Power Sports  
Performance Trucks • Bicycles  
Marine Trailer & Tow*



A Division Of: **WYERS™**  
Products Group, Inc.



**"Lock It Or Lose It"™**

**COLORADO BASED**



Philip Wyers, President, CEO

**"Committed To Providing The Highest Quality Solutions For ALL Our Customers' Security Needs"**



**EST. 1989**



**TRIMAX**, a Registered Trademark of **Wyers Products Group**, Inc., which was established in 1989 and is centrally located in Centennial, Colorado. **TRIMAX** remains committed to providing innovative solutions to our customers' security needs in the automotive and sports accessory markets.

Through value added **in-house engineering**, **TRIMAX** prides itself on industry leading patented designs that hold up to the highest quality standards. All products have been rigorously tested before entering the world market.

Quality Designs



Precision Machining - MADE IN THE USA



Industry Leading Aluminum Hitch Manufacturing

**CUSTOMER SUPPORT**

**TRIMAX** stands behind every product it manufactures to assure customer satisfaction. We offer quality products supported by a professional staff trained to answer your questions and process your order in a time sensitive manner;

**Customer service is #1.**



Engineering



**TRIMAX™**



Adjustable  
Hitch Systems  
Pages **4-11**

Receiver Pins  
Pages **12-17**

Coupler Locks  
Pages **18-23**

Cable Locks  
Pages **24-27**

Chains/Cables  
Pages **28-33**

U-Locks  
Pages **34-37**

Disc Locks  
Pages **38-40**

Padlocks  
Pages **41-44**

Specialty Locks  
Pages **45-48**

Bike Carriers  
Pages **49-52**

Promotional  
Pages **53-55**

## PATENTED DESIGNS

All our operatives have a working knowledge of the patented products we provide and are happy to give the support required to keep our customers confident in our business relationship.

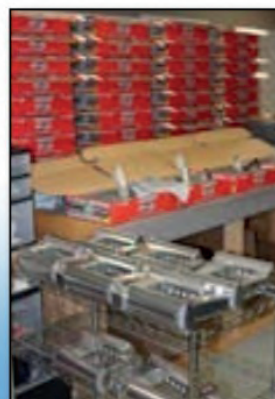


TRIMAX Team Members

**TRIMAX** is dedicated to supplying our customers the highest quality products, attractively packaged and manufactured in our own Colorado facility or around the world.



Shipping



Assembly





**"Lock It Or Lose It"™**



**INDUSTRY LEADING**

# ADJUSTABLE HITCH SYSTEMS

- 100% ALUMINUM INTEGRAL LOCKED XTR, HD & RP - ALL MADE IN THE USA!
- ALUMINUM **FIXED BALL MOUNT** HITCHES
- FORGED STEEL BLACK POWDER COATED
- TOW BALLS, ADAPTER SLEEVE



*Made in the USA*



**TRIMAX™**

**4**

**ADJUSTABLE HITCHES**



"Lock It Or Lose It"™

RAZOR™ HITCHES



# ALUMINUM Adjustable Hitches

Model **XTR**

Made In The USA



Aluminum Ball Mount Integral Locks To Prevent Theft

- 100% Solid Polished Aluminum
- Weight Tested To 10,000 Lbs. 1,500 Lbs. MAX Tongue Weight

Available In 3 Sizes -

- 6" - TRZ6AL
- 8" - TRZ8AL
- 12" - TRZ12AL

**ADDED VALUE**

Keyed Alike Receiver Lock Included With XTR Hitches



- Flip Hitch For Added Rise



- XTR Hitches Include Dual Hitch Tow Ball (2" & 2-5/16")
- Easily Adjusts Up & Down In 1" Increments

6"

8"

12"

TRIMAX™



"Lock It Or Lose It"™

RAZOR™ HITCHES

Strength / Function / Style™

2.5" & 3"  
RAZOR™  
HITCHES

COMING  
IN 2018

# ALUMINUM Adjustable HEAVY DUTY HITCHES

Made In The USA



2.5" ALUMINUM  
& 3"  
Model **MAX HD**

5/8" Pin & Clip  
HD Aluminum  
Ball Mount In  
1" Increments,  
Rise Or  
Drop

- 100% Solid Polished Aluminum
- Weight Tested To 20,000 Lbs.  
2,000 Lbs. MAX Tongue Weight

2.5" Hitch Available  
In 4 Sizes -

- 6" - TRZ6AL-HD
- 8" - TRZ8AL-HD
- 10" - TRZ10AL-HD
- 12" - TRZ12AL-HD

TRZ6AL-HD

3" Sleeve



TAS30

RAZOR-HD 3"  
Adaptor Sleeve.  
Converts 2-1/2"  
RAZOR-HD  
Adjustable  
Hitches To  
3" Receivers

HD Includes Dual Tow  
Ball & 5/8" Pin/Clip.  
Optional Keyed Alike  
Lock Set Available -  
TH45

TOW BALLS

- Extended Shank Length Designed  
For HD Aluminum Hitches Only
- HD Tow Balls Available In Chrome  
Steel Only



2"

2-5/16"

2" & 2-5/16"

TRIMAX™

RAZOR HITCHES



"Lock It Or Lose It"™

RAZOR™ HITCHES

**PIN & CLIP  
RAZOR  
HITCHES**

**ALUMINUM  
Adjustable  
Hitches**

Model



Made In The USA



- 100% Solid Polished Aluminum
- Weight Tested To 10,000 Lbs.  
1,500 Lbs. MAX Tongue Weight

1/2" Pin & Clip  
Aluminum Ball  
Mount In 1"  
Increments,  
Rise Or  
Drop

Available In  
3 Sizes -

- 4" - TRZ4AL-RP
- 6" - TRZ6AL-RP
- 8" - TRZ8AL-RP

TRZ8AL-RP  
Back

RP Includes Dual  
Tow Ball & Pin/Clip.  
Optional Keyed Alike  
Lock Set Available

- Flip Hitch  
For Added  
Rise

**ACCESSORIES**



**RAZOR 2-1/2" Adapter Sleeve**  
Converts 2" RAZOR Adjustable  
Hitches To 2-1/2" Receivers



TAS25

**RAZOR Storage Bag**  
Fits All TIMAX Hitches  
Except The MAX-HD



RZRBAG

RP  
Optional  
Lock Pin  
Set



TRZ52

**TRIMAX™**



**ADJUSTABLE HITCHES**

**Flip Ball Mount**

- Easily Remove & Flip Double Ball Assembly To Change Ball Size.
- XTR Ball Mount Locks In Place For Added Security.

TRZ6AL-HD



**XTR**

**ADDED VALUE**

- Key Lock Ball Mount. Keyed Alike Receiver Lock Included



- 2" Receiver Hitch
- Weight Tested To 10,000 Lbs, 1,500 Lbs Tongue Weight

TRZ6AL



TRZ8AL



TRZ12AL



**RP**

- 1/2" Pin & Clip Aluminum Ball Mount



Locking Pin Set Available - TRZ52

- 2" Receiver Hitch
- Weight Tested To 10,000 Lbs, 1,500 Lbs Tongue Weight

TRZ4AL-RP



TRZ6AL-RP



TRZ8AL-RP



**2.5" ALUMINUM & 3" MAX HD**

- 5/8" Pin & Clip Aluminum Ball Mount



Locking Pin Set Available - TH45

TRZ6AL-HD



TRZ8AL-HD



TRZ10AL-HD



TRZ12AL-HD



- 2-1/2" Receiver Hitch
- Weight Tested To 20,000 Lbs, 2,000 Lbs Tongue Weight



**ADJUSTABLE HITCHES**



**ALUMINUM SPECS**

<b>Part No:</b>	<b>ALUMINUM RAZORS</b>
<b>TRZ6AL</b>	6" Aluminum Drop Hitch w/Locking Ball Mount Receiver Pin - Dual Hitch Ball Included
<b>TRZ8AL</b>	8" Aluminum Drop Hitch w/Locking Ball Mount Receiver Pin - Dual Hitch Ball Included
<b>TRZ12AL</b>	12" Aluminum Drop Hitch w/Locking Ball Mount Receiver Pin - Dual Hitch Ball Included
<b>TRZ4AL-RP</b>	4" Aluminum Drop Hitch, Pin & Clip - Dual Hitch Ball Included
<b>TRZ6AL-RP</b>	6" Aluminum Drop Hitch, Pin & Clip - Dual Hitch Ball Included
<b>TRZ8AL-RP</b>	8" Aluminum Drop Hitch, Pin & Clip - Dual Hitch Ball Included
<b>TRZ6AL-HD</b>	6" Aluminum Drop Hitch, Pin & Clip - Dual Hitch Ball Included
<b>TRZ8AL-HD</b>	8" Aluminum Drop Hitch, Pin & Clip - Dual Hitch Ball Included
<b>TRZ10AL-HD</b>	10" Aluminum Drop Hitch, Pin & Clip - Dual Hitch Ball Included
<b>TRZ12AL-HD</b>	12" Aluminum Drop Hitch, Pin & Clip - Dual Hitch Ball Included

**ACCESSORIES**

<b>TAS25</b>	2-1/2" to 2" Class V Adaptor Sleeve
<b>TAS30</b>	3" to 2-1/2" Class V Adaptor Sleeve
<b>TRZ52</b>	Razor-RP Locking Pin Set, 1/2"x3-5/8", 5/8"x3-1/2", Keyed-Alike
<b>TH45</b>	Razor-HD Locking Pin Set, 5/8"x4-3/16", 5/8"x3-1/2", Keyed-Alike
<b>RZRBAG</b>	TRIMAX RAZOR Adjustable Hitch Towing Bag

**TOW BALLS**

- Extended Shank Length Designed For Aluminum Hitches Only



RP & XTR Available In Chrome & Stainless Steel

<b>Part No:</b>	
<b>TBAL2</b>	2" Tow Ball Chrome
<b>TBAL2516</b>	2-5/16" Tow Ball Chrome
<b>TBSXAL2</b>	2" Tow Ball Stainless Steel
<b>TBSXAL2516</b>	2-5/16" Tow Ball Stainless Steel
<b>TDBAL22516</b>	2" & 2-5/16" Double Tow Ball Chrome
<b>TDBSXAL22516</b>	2" & 2-5/16" Double Tow Ball Stainless Steel



HD Available In Chrome Only

<b>Part No:</b>	
<b>TBHD2</b>	2" Tow Ball Chrome
<b>TBHD2516</b>	2-5/16" Tow Ball Chrome
<b>TDBHD22516</b>	2" & 2-5/16" Double Tow Ball Chrome



"Lock It Or Lose It"™

RAZOR HITCHES



### ADJUSTABLE LOCKING HITCHES

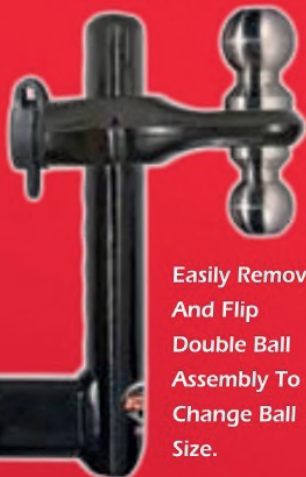
- Powder Coated Forged Steel

- Ball Mount Adjusts Up & Down In 1" Increments - Locks In Place

### BONUS

- Matching Keyed Alike Lock Included

Flip Razor Hitch For Added Rise



Easily Remove And Flip Double Ball Assembly To Change Ball Size.

## FORGED STEEL Adjustable Hitches

- Locking Ball Mounts For Added Security

- Weight Tested To 10,000 Lbs. 1,500 Lbs. MAX Tongue Weight



TRZ6PB

\* Hitch Ball NOT Included

Available In 3 Sizes:

6"

8"

12"

TRZ6PB

TRZ8PB

TRZ12PB

6"

8"

12"

### Part No:

### STEEL RAZORS

**TRZ6PB** Deluxe 6" Powder Coat Black Drop Hitch

**TRZ8PB** Deluxe 8" Powder Coat Black Drop Hitch

**TRZ12PB** Deluxe 12" Powder Coat Black Drop Hitch

### ADDED VALUE

Keyed Alike Receiver Lock Included With PB Hitches



Hitch Ball NOT Included With Steel Razors

Tow Balls Available In Chrome Or Stainless Steel



2"



2-5/16"



2" & 2-5/16"

### Part No:

### TOW BALLS

**TBC2** 2" Tow Ball Chrome

**TBC2516** 2-5/16" Tow Ball Chrome

**TDBC22516** 2" & 2-5/16" Double Tow Ball Chrome

**TBSX2** 2" Tow Ball Stainless Steel

**TBSX2516** 2-5/16" Tow Ball Stainless Steel

**TDBSX22516** 2" & 2-5/16" Double Tow Ball Stainless Steel

TRIMAX™

RAZOR HITCHES



**"Lock It Or Lose It"™**

# RAZOR™ HITCHES

## ALUMINUM HITCHES

### FIXED MOUNT



- Flip Hitch For Added Rise



- **100% Forged Aluminum For Unmatched Strength**
- Fits All 2" Receivers
- Weight Tested To 8,000 Lbs. 800 Lbs. MAX Tongue Weight

#### Available In 5 Sizes -

- 2" - TRZ2ALFM
- 4" - TRZ4ALFM
- 6" - TRZ6ALFM
- 8" - TRZ8ALFM
- 10" - TRZ10ALFM

- Combine With T3 Receiver Pin For Added Security

TRZ10ALFM 10"

TRZ8ALFM 8"

TRZ6ALFM 6"

TRZ4ALFM 4"

TRZ2ALFM 2"



- 5 Models

- **Tow Ball Not Included**

**Part No:**

- TRZ2ALFM** 2" Forged Aluminum Fixed Ball Mount
- TRZ4ALFM** 4" Forged Aluminum Fixed Ball Mount
- TRZ6ALFM** 6" Forged Aluminum Fixed Ball Mount
- TRZ8ALFM** 8" Forged Aluminum Fixed Ball Mount
- TRZ10ALFM** 10" Forged Aluminum Fixed Ball Mount

**TRIMAX**

**RAZOR HITCHES**



**"Lock It Or Lose It"**



# RECEIVER PINS

- LOCKING RECEIVER PINS
- KEYED & COMBINATION MODELS
- FLIP-TIP & PIN & CLIP



**TRIMAX**



**LOCKING RECEIVER PINS**

**TS32 -**  
Chrome Steel  
**SXTS32-**  
Stainless Steel

▪ **Ideal For Securing:**  
Hitch Receivers,  
Bike Carriers,  
Ornamental  
Receiver Plugs  
& Swing Away  
Trailer Hitches



▪ **Receiver Lock Sets**

**PATENTED**

**Dare To Compare! TRIMAX**, The Absolute Leader in Receiver Locking Pin Technology. **TRIMAX** has spent the last 15 years expanding and improving on the "Original", patented Dual Lock Lug Design. **Look Alikes. Do Not Lock Alike!**  
**Buy only TRIMAX branded parts.**

**Patented UNIVERSAL Receiver Pin**  
Fits Class III (5/8") Or Class II (1/2")

- Eliminate Returns
- Always The Correct Size

Patented Design Incorporates Internal  
**O-ring & Water Tight Cap**  
Helps To Seal Out Dirt



Machined From  
100% Solid Stainless  
And/Or Forged Steel

Removable 5/8" Sleeve

Large 1/2" Dual Lock Lugs  
Prevent False Locking-Lock  
Can't Pop Open

- Patented 1/4 Turn Design Prevents False Locking, Won't POP Open
- **TESTED SPECIFICATIONS EXCEEDS**  
40,000 LBS. (Stainless), 32,000 LBS. (Steel)



**Part No:**

- TS32** Universal Receiver Lock - Fits 1/2" & 5/8", W/Sleeve
- SXTS32** 100% Stainless Steel Universal Receiver Lock & Sleeve - Fits 1/2" & 5/8"
- T2** Machine Forged Chrome Steel, 1/2" x 2-3/4" Span
- T3** Machine Forged Chrome Steel, 5/8" x 2-3/4" Span
- T3-Black** Premium 5/8" Key Receiver Lock, Rugged Black Epoxy Powder Coat
- T5** Machine Forged Chrome Steel, 5/8" x 3-1/2" Span Fits Class V Hitches
- T5-Black** Premium 5/8" Key Receiver Lock, Rugged Black Epoxy Powder Coat, 3-1/2" Span Fits Class V Hitches
- TH4** Machine Forged Chrome Steel, Adjustable Hitch Lock, 5/8" x 4-3/8" Span
- TH6** Machine Forged Chrome Steel, 5/8" x 6-1/8" Span, Swing Away Trailer Lock

- TH43** 'Rapid Hitch' Keyed-Alike Adjustable Receiver Lock Set
- TH45** Keyed-Alike Adjustable Receiver Lock Set, Includes T5 and TH4
- TRZ52** Keyed-Alike RazorAL-RP Receiver Lock Set, Includes T5 and 1/2" x 3-5/8" Span Pin.
- SXTRZ52** 100% Stainless Steel Keyed-Alike RazorAL-RP Receiver Lock Set, Includes T5 and 1/2" x 3-5/8" Span Pin.



"Lock It Or Lose It"™

## LOCKING RECEIVER PINS

Tested Specifications For Towing Exceed 40,000 Lbs. Double Shear Load

## LOCKING PINS

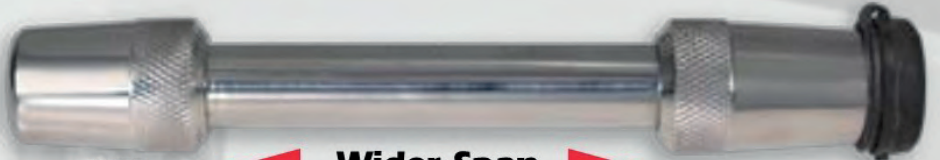
Ideal For Limited Access Receiver Areas



## 100% STAINLESS STEEL



SXT3



SXT5

**Wider Span**

Fits Class V Hitches!

- 3-1/2" Span Fits The New Wider Toyota, Ford And Chevy Receivers

- All Locking Pins Include 2 Keys

Part No:

**SXT3**

Premium 100% Stainless Steel 5/8" Key Receiver Lock

**SXT5**

Premium 100% Stainless Steel 5/8" Class V Key Receiver Lock - 3-1/2" Span

## RIGHT ANGLE

- Water Tight Cap Helps Seal Out Dirt

- Stainless Steel Internal Components

- Rugged Dual Locking Design Can't Be False Locked

**TRA3**

- Fit 2-1/2" Span

**TRA5**

- Fit 3-1/2" Span

**Wider Span**

Fits Class V Hitches!

Part No:

**TRA3**

Machine Forged Chrome Steel, 5/8" x 2-3/4" Span

**TRA5**

Machine Forged Chrome Steel, 5/8" x 1-3/2" Span



"Lock It Or Lose It"™

# RECEIVER PINS

**HOLLOW CORE**

## LOCKING ANTI-RATTLE PINS

Easily Adjust  
And Lock Receiver  
Pin For Tight,  
Quiet Fit

Available In 2"



▪ Includes 2 Keys

### INSTALLATION

1. Install Lock Nut Carriage Into Draw Bar, Align With Holes
2. Slide Draw Bar Into Receiver. Insert Lock Pin And Tighten
3. Insert 5/8" Head And Attach Lock Head

**Part No:**

**TAR300** Premium 5/8" Anti-Wobble Key Receiver Lock, For 2" Hitch

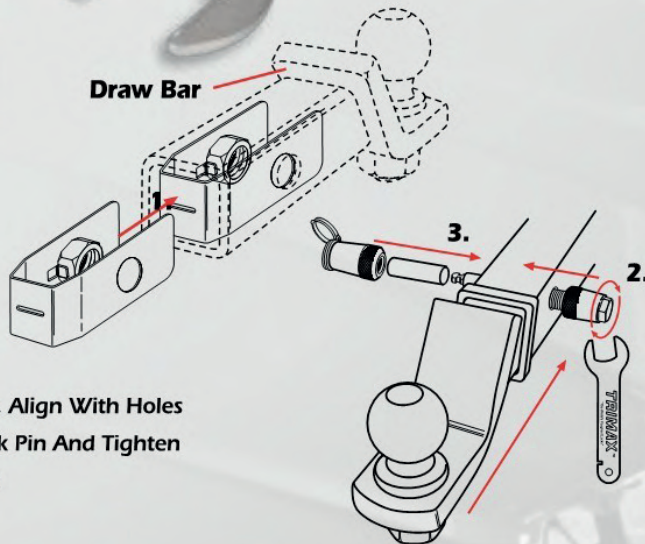
## EASY TO INSTALL



▪ Includes Installation Wrench

Draw Bar

**TAR300** - 2" Hitch



## UNIVERSAL

**HOLLOW & SOLID CORE**

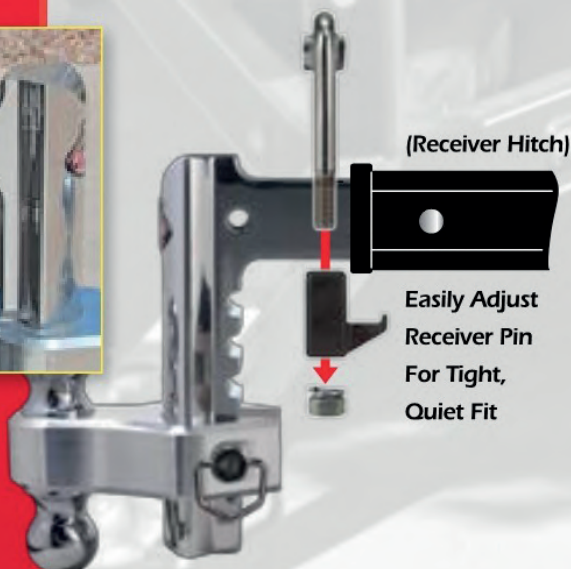
## ANTI-RATTLE CLAMP



Available In  
2" And 2-1/2"

## EASY TO INSTALL

COMING IN 2017



(Receiver Hitch)

Easily Adjust  
Receiver Pin  
For Tight,  
Quiet Fit



**THC250** - 2-1/2" Hitch  
**THC200** - 2" Hitch

**Part No:**

**THC200** UNIVERSAL Anti-Rattle Clamp For 2" Draw Bar

**THC250** UNIVERSAL Anti-Rattle Clamp For 2-1/2" Draw Bar



"Lock It Or Lose It"™

# RECEIVER PINS

## LOCKING RECEIVER PINS

TR200 Wider Span Fits The New Toyota, Ford & Chevy Receivers

### UNIVERSAL FIT



**Wider Span**  
Fits Class V Hitches!

TR200

TR125

▪ 1/2" Pin Fits All Class II Receiver Hitches

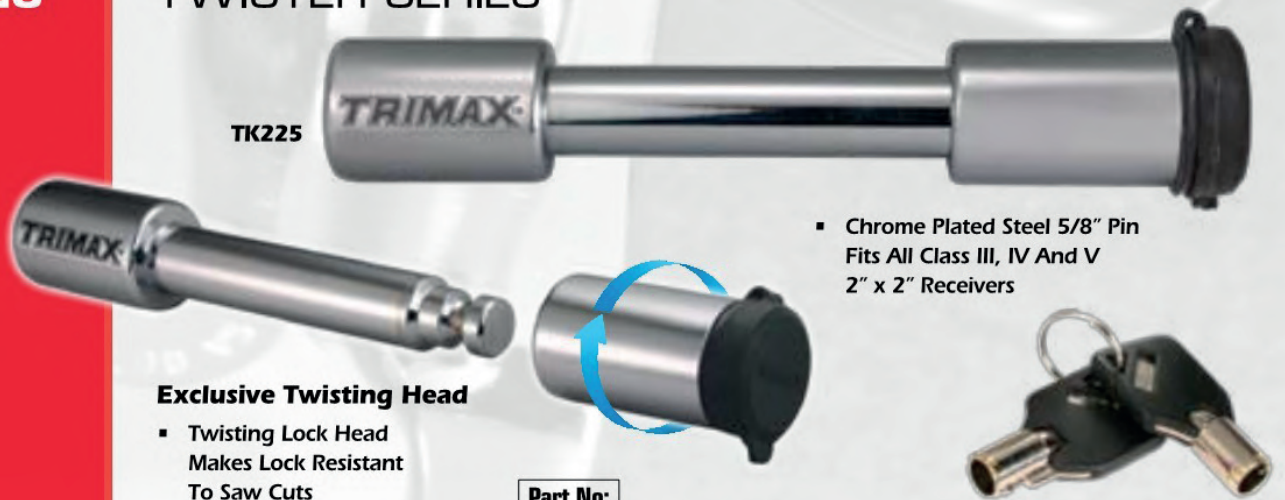
**Part No:**

**TR200** Deluxe 5/8" Key Receiver Lock, 3-1/2" Span

**TR125** Deluxe 1/2" Key Receiver Lock, Fits 1-1/4" Class II Receivers

## LOCKING PIN

### TWISTER SERIES



TK225

▪ Chrome Plated Steel 5/8" Pin Fits All Class III, IV And V 2" x 2" Receivers

#### Exclusive Twisting Head

- Twisting Lock Head Makes Lock Resistant To Saw Cuts

**Part No:**

**TK225** Twister Series 5/8" Key Receiver Lock

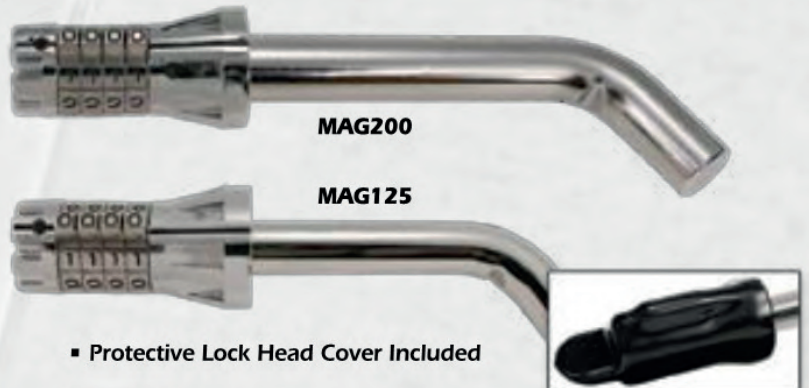
## COMBO LOCKING PIN

Durable Non-Corrosive Locking Mechanism

### RESETTABLE

Set Your Own Personalized Combination

- Heavy-Duty Collar Overlaps Hitch Pin For Unmatched Strength And Security
- Triple Chrome Plated Steel Pin



MAG200

MAG125

▪ Protective Lock Head Cover Included

**Part No:**

**MAG200** Resettable Combination Receiver Lock, 5/8"

**MAG125** Resettable Combination Receiver Lock, 1/2"



**"FLIP-TIP" PINS**

Available In  
Chrome Or  
Stainless Steel

**QUICK INSTALL**



**TX125  
SXTX125**

- 1/2" Pin Fits All Class I & II Receivers



**TX200  
SXTX200**

- 5/8" Pin Fits All Class III, IV & V Receivers

**Part No:**

**Triple Chrome Plated**

**TX125** Chrome Plated "FLIP-TIP" 1/2" Receiver Pin & Clip

**TX200** Chrome Plated "FLIP-TIP" 5/8" Receiver Pin & Clip

**Stainless**

**SXTX125** Premium Stainless Steel "FLIP-TIP" 1/2" Receiver Pin & Clip

**SXTX200** Premium Stainless Steel "FLIP-TIP" 1/2" Receiver Pin & Clip

**Easy To Install**

1. Squeeze Tip & Push Down Head
2. Rotate Tip Forward For Insertion Into Or Removal From Receiver
3. Once Pin Is Through Receiver Hole, Rotate Tip Downward Until Tip "SNAPS" Firmly Into Place



**PIN & CLIP**

Triple Chrome  
Plated



**SP125**

- 1/2" Pin Fits All Class I & II Receivers



**SP200**

- 5/8" Pin Fits All Class III, IV & V Receivers



**SP358**

- 1/2" x 3-5/8" Pin Fits RazorAL-RP Adjustable Ball Mounts

**SP434**

- 5/8" x 4-3/4" Pin Fits RazorAL-HD Adjustable Ball Mounts

**Part No:**

**SP125** Steel Pin & Clip 1/2" Receiver Pin

**SP200** Steel Pin & Clip 5/8" Receiver Pin

**SP358** Steel Pin & Clip 1/2" x 3-5/8" Span For RazorAL-RP Ball Mounts

**SP434** Steel Pin & Clip 5/8" x 4-3/4" Span For RazorAL-HD Ball Mounts



*"Lock It Or Lose It"™*



# COUPLER LOCKS

- UNATTENDED COUPLER LOCKS
- KEYED ALIKE SETS
- MULTI-USE, ADJUSTABLE, STAINLESS STEEL



**TRIMAX**



"Lock It Or Lose It"™

# UNIVERSAL COUPLER LOCK

**360° OF  
HARDENED  
STEEL  
PROTECTION**

UNIVERSAL FIT  
Coupler Locks

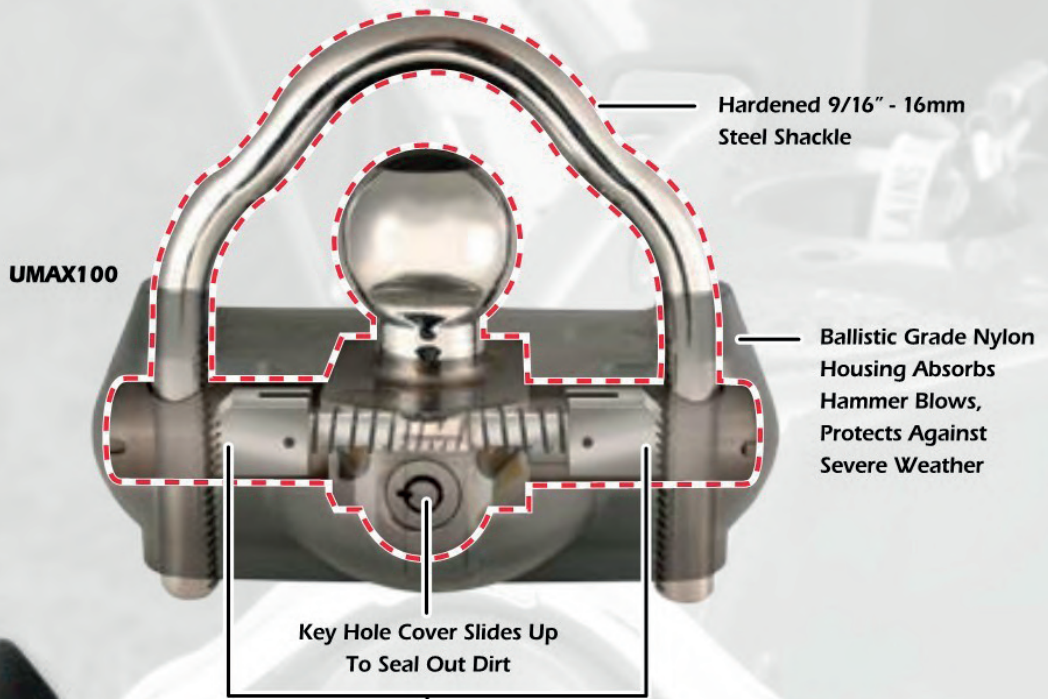


Dual Force Security  
Combine With  
**TRIMAX** Chains  
& Cables



**FIT MOST  
COUPLERS!**

## PATENTED DUAL LOCK TECHNOLOGY



**Unmatched Patented Dual Lock System**  
Huge 7 Tooth, 3/8" Wide Locking Lug System  
On UMAX50 & UMAX100

Covered By US Patent #7, 121, 121



**Good**



**UMAX25 -**  
1/2" Hardened Steel Shackle

**Better**



**UMAX50 -**  
9/16" Hardened Steel Shackle

**Best**



**UMAX100 -**  
9/16" Hardened Steel Shackle

▪ Extra Security For Unattended Trailers. Three Models To Fit All Your Security Needs

**"Never Buy A Single Latch Coupler Lock!"**

**Part No:**

**UMAX25** NEW UNIVERSAL 'Die-Cast' Patented Dual Locking Narrow Body Coupler Lock, 1/2" Shackle

**UMAX50** Deluxe UNIVERSAL 'Die-Cast' Patented Dual Locking Coupler Lock, 9/16" Shackle

**UMAX100** Premium UNIVERSAL 360° Of "Solid Hardened Steel" Patented Dual Purpose Coupler Lock, 9/16" Shackle



"Lock It Or Lose It"™

# COUPLER LOCKS

## TOWING KITS

One Key Fits All Three Locks!

### KEYED ALIKE

TCP50

TCP100



- Keyed Alike Latch Lock, Receiver Hitch Lock And Coupler Lock Deliver Complete Security All In One Convenient Package
- Two High Security Coupler Locks To Choose From



- Includes 6 Keyed Alike Keys

### Towing Kits Include:

- TCP50

UMAX50



- TCP100

UMAX100



UNIVERSAL Receiver Lock  
TS32



ADJUSTABLE Coupler Lock  
TC123



Carrying Case

Part No:

**TCP50**

Combo Pack Keyed Alike Set, Includes UMAX50, TC123 - Adjustable Coupler Lock Fits Couplers From 7/8", 2-1/2" To 3-1/2" Spans, TS32- 5/8" or 1/2" Universal Receiver Lock

**TCP100**

Combo Pack Keyed Alike Set, Includes UMAX100, TC123 - Adjustable Coupler Lock Fits Couplers From 7/8", 2-1/2" To 3-1/2" Spans, TS32 - 5/8" or 1/2" Universal Receiver Lock

**TRIMAX™**



COUPLER TRIGGER

Great For Trailer Door Latches, Couplers And Cargo Boxes

TMC10



- Easy 1/4 Turn Of Key Lock & Unlock For Maximum Security
- Internal O-RING In Lock Body & Weather Proof Cap Help Seal Out Grime & Corrosion



Dual Force Protection When Combined With UMAX25/50/100



- Includes 2 Keys

Part No:

TMC10 Deluxe Coupler/Door Latch Lock, Fits Couplers W/Up To 7/8" Span

MACHINED LOCKING PINS

HARDENED STEEL

TC123



- Full Length Pin Made Of 100% Stainless Steel

- Slides To Fit 7/8", 2-1/2" & 3-1/2" Spans

- Includes 2 Keys



Part No:

TC1 Coupler/Door Latch Lock, Fits Couplers w/Up To 7/8" Span

TC2 Coupler Lock, Fits Couplers w/Up To 2-1/2" Span

TC3 Coupler Lock, Fits Couplers w/Up To 3-1/2" Span

TC123 Adjustable Coupler Lock, Fits Couplers From 7/8", 2-1/2" To 3-1/2" Spans



"Lock It Or Lose It"™

# COUPLER LOCKS

## LOCKING PINS

Stainless Steel Internal Components

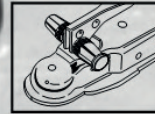
- Patented Design Incorporates O-Ring & Water Tight Cap To Help Seal Out Dirt & Corrosion

### 100% STAINLESS STEEL



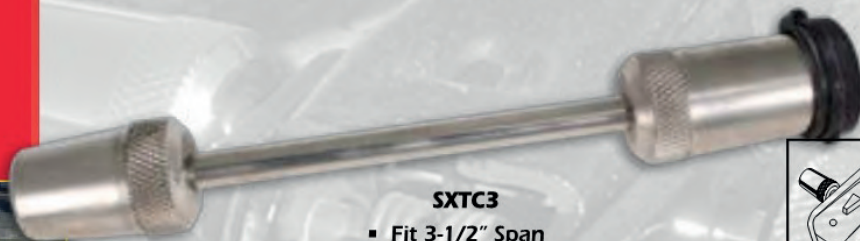
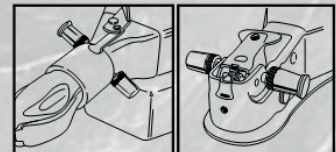
**SXTC1**

- Fit 7/8" Span



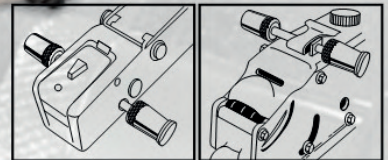
**SXTC2**

- Fit 2-1/2" Span



**SXTC3**

- Fit 3-1/2" Span



- Full Length Pin Made Of Solid Forged Stainless Machined Steel



- Includes 2 Keys

**SXTC123**



- Slides To Fit 7/8", 2-1/2" & 3-1/2" Spans

- Easy Operation, 1/4 Turn Locks & Unlocks Head
- Large Dual Lock Lugs. Can't "POP" Open Or Be Falsely Locked

**Part No:**

- SXTC1** Premium Stainless Steel Coupler/Door Latch Lock, 7/8" Span
- SXTC2** Premium Stainless Steel Coupler Lock, Fits Couplers w/Up To 2-1/2" Span
- SXTC3** Premium Stainless Steel Coupler Lock, Fits Couplers w/Up To 3-12" Span
- SXTC123** Adjustable Stainless Steel Coupler Lock, Fits 7/8", 2-1/2" To 3-1/2" Spans

**TRIMAX**



**KEYED ALIKE SETS**

Polished Chrome Steel

- One Key Operates Both Locks, Multiple Sets Available



- All Sets Includes 4 Keys



**POLISHED CHROME STEEL**



**TM31**



**TM32**



**TM33**



**TM3123**



**TM5123**



**TMC3310**

**Part No:**

- TM31** T3 - 5/8" Receiver Lock & TC1 - 7/8" Span Coupler Lock
- TM32** T3 - 5/8" Receiver Lock & TC2 - 2-1/2" Span Coupler Lock
- TM33** T3 - 5/8" Receiver Lock & TC3 - 3-1/2" Span Coupler Lock
- TM3123** TS32 - Universal Fit Locking Pin & TC123 - Adjustable Coupler Lock
- TM5123** T5 - 5/8" Receiver Lock - 3-1/2" Span & TC123 - Adjustable Coupler Lock
- TMC3310** (2) T3'S - 5/8" Receiver Lock & TMC10 3/4" Span Coupler Lock

**KEYED ALIKE SETS**

Polished Stainless Steel

**100% STAINLESS STEEL**



**SXTM31**



**SXTM32**



**SXTM33**



**SXTM3123**

- Unmatched Beauty, Strength & Rust Resistance

**Part No:**

- SXTM31** Stainless Steel SXT3 - 5/8" Receiver Lock & SXTC1 - 7/8" Span Coupler Lock
- SXTM32** Stainless Steel SXT3 - 5/8" Receiver Lock & SXTC2 - 2-1/2" Span Coupler Lock
- SXTM33** Stainless Steel SXT3 - 5/8" Receiver Lock & SXTC3 - 3-1/2" Span Coupler Lock
- SXTM3123** Stainless Steel SXTS32 - Universal Fit Locking Pin & SXTC123 - Adjustable Coupler Lock



**"Lock It Or Lose It"™**



# CABLE LOCKS

- VERSA-CABLE
- MULTI-PURPOSE LOCKS
- BICYCLE LOCKS



**TRIMAX™**



"Lock It Or Lose It"™

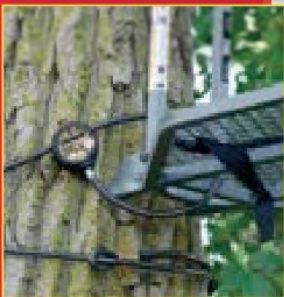
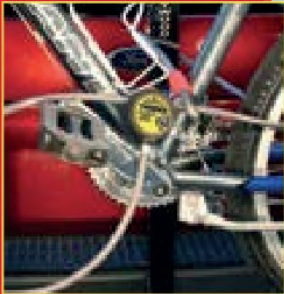
# VERSA-CABLE LOCK

## VERSA-CABLE LOCK

### MOVEABLE/CINCHABLE

Cinch It Tight Here!

10mm Locking Tip Fits Through Small Openings



- 10mm TRIMAFLEX™ Vinyl Coated Cable
- Moveable, Cinchable Lock Head Adapts To Many Applications
- Interchangeable Cables Available In 12' And 30' Lengths

#### Recommended Uses:

- Bicycles
- Power Tools
- Patio Furniture
- BBQ Grills
- Sports Equipment
- Fire Arms
- Power Sports
- Marine Toys: Wakeboards, Towables, Jet Skis, Coolers & More!

VMAX6 Yellow

VMAX9C Camo

The Big Squeeze

### Get Creative!

The Quick Weave



The Dual Loop



Lock More Stuff With Less Cable

The Big Easy Standard Big Loop



The Long Shot



- Cables Only - Lock Not Included



VMAX12CBL 12' Length



VMAX30CBL 30' Length

#### Part No:

VMAX6

VMAX9C

VMAX12CBL

VMAX30CBL

VMAXHD

Multi-Use Versa-Cable Lock, 6' x 10mm TRIMAFLEX™ Cable

Multi-Use Versa-Cable Camo Lock, 9' x 10mm TRIMAFLEX™ Cable

TRIMAFLEX™ Replacement Cable 12' (L) x 10mm (Cable Only)

TRIMAFLEX™ Replacement Cable 30' (L) x 10mm (Cable Only)

Multi-Use Versa-Cable Lock Head



PDO

# TRIMAX™



"Lock It Or Lose It"™

# CABLE LOCKS

## SPARE TIRE LOCKS

Lock System Loops Around Welded Frame Member Of Trailer Or Automobile Frame

### MULTI-PURPOSE



- Ideal For Securing Spare Tires On Jeeps, Boat Trailers, Trucks & Vans

Part No:

**ST30** TRIMAFLEX Spare Tire Cable Lock (Round Key) 36" x 12mm

- Locks Through Wheel Lug Nut Hole For MAXIMUM Security

- Huge 12mm Braided Steel Cable

**ST30**

## NUT LOCK



**TNL740**



- A Quick And Easy Solution To Tire Theft. Locks Tire Nut Preventing Wheel Removal
- Fits Side Mount Spare Tires
- Use For Propane Tanks

Part No:

**TNL740** Spare Tire Multi-Use Nut Lock. Fits All Side Mount Spare Tires

## MULTI-USE SYSTEMS

Made Using TRIMAFLEX™ Ultra Tough Braided Cables

- Great For: Bikes, Bike Carriers, Watercraft, Trailers, Helmets, Skis/Boots, Snow Boards



**T33RC**

**T33RC**

- Durable 36" Cable Retracts Into 4" Tall Cable Lock

Part No:

**T33RC**

**MAG10SC**

Retractable Cable 3-Digit Combo Lock 36" (L) x 3mm

Resettable Combination Cable Combo Lock 10' (L) x 8mm

- Resettable Combination With 10' x 8mm Braided Cable

**MAG10SC**

- Includes Protective Head Cover



**TRIMAX™**



"Lock It Or Lose It"™

# CABLE LOCKS

## QUADRA-BRAID™ LOCKS

### COMBO / KEYED

Vinyl Coated Cable Protects Painted Finish



- Resettable Combination Lock In Coiled & Non-Coiled Cable. No Keys To Lose



- Integrated Keyed Coiled & Non-Coiled Cable Locks With Quick Release Brackets

- All Cable Locks Include Quick Release Brackets

- Sliding Key Hole Cover Helps Seal Out Dirt
- Includes 3 Keys



Coiled

TRC106



Non-Coiled

TNRC106

TNRC126



Coiled

TKC106

TKC126



Non-Coiled

TNKC106

TNKC126

**Part No:**

**TRC106** TRIMAFLEX™ Coiled Resettable Combo Lock W/Bracket, 6' (L) x 10mm Dia.

**TRC126** TRIMAFLEX™ Coiled Resettable Combo Lock W/Bracket, 6' (L) x 12mm Dia.

**TNRC106** TRIMAFLEX™ Non-Coiled Resettable Combo Lock W/Bracket, 6' (L) x 10mm Dia.

**TNRC126** TRIMAFLEX™ Non-Coiled Resettable Combo Lock W/Bracket, 6' (L) x 12mm Dia.

**TKC106** TRIMAFLEX™ Coiled Keyed Cable Lock W/Bracket, 6' (L) x 10mm Dia.

**TKC126** TRIMAFLEX™ Coiled Keyed Cable Lock W/Bracket, 6' (L) x 12mm Dia.

**TNKC106** TRIMAFLEX™ Non-Coiled Keyed Cable Lock W/Bracket, 6' (L) x 10mm Dia.

**TNKC126** TRIMAFLEX™ Non-Coiled Keyed Cable Lock W/Bracket, 6' (L) x 12mm Dia.

## QUADRA-BRAID™ LOCK

Easy To Use, Day Or Night

### LED COMBO



TRL126

- Lighted LED Combination Cable Lock



- Includes Quick Release Bracket

**Part No:**

**TRL126** Security LED Combination Lock W/Bracket, 6' (L) X 12mm Dia.

TRIMAX



**"Lock It Or Lose It"™**



# CHAINS / CABLES

- BRAIDED CABLES
- CABLE U-LOCKS
- LOCKING ARMORED CABLES
- T-HEX CHAINS
- U-SHACKLE CABLE LOCK
- ALARMED CABLES/CHAIN



**TRIMAX™**



**"Lock It Or Lose It"™**

# BRAIDED CABLES

## DUAL LOOP CABLES

Maximum Security  
Quadra-Braid  
Cables

### TRIMAFLEX™



**TDL815**

**TDL1212**

**TDL1510**

**TDL3010**



For Maximum Protection  
Use With TRIMAX™ MAX60  
& MAX40 Disc & U-Locks  
For The Ultimate In  
Multi-Use Security

**Part No:**

- TDL815** TRIMAFLEX™ Dual Loop Multi-Use Cable 8' x 15mm
- TDL1212** TRIMAFLEX™ Dual Loop Multi-Use Cable 12' x 12mm
- TDL1510** TRIMAFLEX™ Dual Loop Multi-Use Cable 15' x 10mm
- TDL3010** TRIMAFLEX™ Dual Loop Multi-Use Cable 30' x 10mm

## CABLE U-LOCKS

For Use On  
Motorcycle Discs  
& Looped Cables

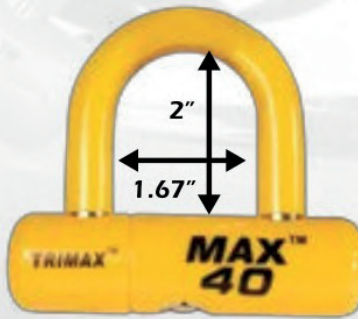
"Simply The Strongest  
Short Shackles  
You Can Buy"

### HIGH SECURITY

**MAX60**



**MAX40YL**



**MAX40BK**



**Part No:**

- MAX60** General Purpose U-Lock - Black W/Chrome 14mm Shackle
- MAX40YL** General Purpose U-Lock - Yellow W/Chrome 1/2" Shackle
- MAX40BK** General Purpose U-Lock - Black W/Chrome 1/2" Shackle

**TRIMAX™**



"Lock It Or Lose It"™

# BRAIDED CABLES

## BRAIDED & COILED

High Security  
7 Pin Anti-Drill  
Lock Cores

## QUADRA-BRAID™ Locks



**TQ1532**  
▪ 15mm Quadra-Braid Cable x 32" Length



**TQ2072**  
▪ 20mm Quadra-Braid Cable x 72" Length



- Key Cover Helps Keep Out Dirt & Corrosion



EXCLUSIVE  
SUPERMAX To  
HIGH Security  
Armor Plated  
Cables Repel  
Saw Cuts &  
Bolt Cutters



**TQ2548**

- Rugged 25mm Quadra-Braid Cable In 48" & 72" Lengths
- HIGH SECURITY Anti-Drill Lock Core



**TQ2572**

- Key Cover Helps Keep Out Dirt & Corrosion



- TQ Series Locks Come With 3 Ultra Secure Keys. One Key Is A Mini Flashlight



**Part No:**

- TQ1532** TRIMAFLEX™ Integrated Keyed Cable Lock 32" (L) x 15mm
- TQ2072** TRIMAFLEX™ Integrated Keyed Cable Lock 72" (L) x 20mm
- TQ2548** TRIMAFLEX™ Integrated Keyed Cable Lock 48" (L) x 25mm
- TQ2572** TRIMAFLEX™ Integrated Keyed Cable Lock 72" (L) x 25mm

**TRIMAX**



IRONCLAD™

ARMOR PLATED LOCKS

Maximum Security  
Armor Plated  
Cable Locks  
Covered With  
Durable PVC Skin  
To Prevent  
Scratching

- **Ideal For:**  
Bicycles,  
Motorcycles,  
Spare Tires,  
Trailers, Marine  
& More



- Ultra Durable Polymer Lock Housing Cover Resists Hammer Strikes & Protects Locking Mechanism
- TG2236SX Includes Quick Release Mounting Bracket



- The IRONCLAD™ Series Locks Come With 3 Ultra Secure Keys. One Key Is A Mini Flashlight



- Patented Sliding Key Cover Resists Grime & Corrosion

Part No:

- TG3072SX** SUPERMAX SECURITY Armor Plated Stainless Steel Locking Cable 72" (L) x 26mm
- TG3048SX** SUPERMAX SECURITY Armor Plated Stainless Steel Locking Cable 48" (L) x 26mm
- TG2236SX** HIGH SECURITY Armor Plated Stainless Steel Locking Cable W/Mounting Bracket 36" (L) x 22mm



**INTEGRATED LOCKS**

Case Hardened Triple Heat Treated Chain

- Withstands Over 6 Tons Of Pull Force & 11 Tons Of Cutting Force



- Combined With TFA6 Anchor

**KEYED / COMBINATION**



**THEX™836**



**THEX™1036**



**THEX™C103**

- Rugged Nylon Locking Housing

- Anti-Drill & Pick Resistant Lock Mechanism

**Part No:**

**THEXC103** Integrated Combination Lock & Super Chain - 6mm Links x 36" (L)

**THEX836** Integrated Lock & Super Chain - 8mm Links x 36" (L)

**THEX1036** Integrated Lock & Super Chain - 10mm Links x 36" (L)

**SUPER CHAIN SETS**



**"T-HEX CHAIN LINKS"**

- Loop On One End - Can Create A Noose To Use Full Length Of Chain



- Hexagon Shaped Case Hardened Triple Heat Treated Super Chain

- Durable Nylon Sleeve Protects Against Scratches

**Part No:**

**THEX33** THEX Super Chain - 3' 3" (1 Meter) Length W/HEX 12mm Links

**THEX50** THEX Super Chain - 5' Length W/HEX 12mm Links

**THEX3340** Combo Set - THEX Super Chain - 3' 3" Length x 12mm + MAX40 Disc Lock

**THEX5040** Combo Set - THEX Super Chain - 5' Length x 12mm + MAX40 Disc Lock

**THEX3360** Combo Set - THEX Super Chain - 3' 3" Length x 12mm + MAX60 Disc Lock

**THEX5060** Combo Set - THEX Super Chain - 5' Length x 12mm + MAX60 Disc Lock



**THEX™3360**  
**THEX™5060**



**THEX™33** **THEX™3340**  
**THEX™50** **THEX™5040**

**TRIMAX**



**"Lock It Or Lose It"™**

# CHAINS / CABLES

## U-LOCK & CABLE

The Security Of A Mini U-Lock Combined With The Versatility Of A Cable

## MAX-DUAL FORCE



**TCU1572**

- Max Dual Force Lock System Features Exclusive TRIMAFLEX™ Quadra-Braid Cable For Maximum Theft Prevention

**Part No:**

**TCU1572** Max-Dual Force U-Shackle Lock - 72" (L) x 15mm Dia. TRIMAFLEX™ Cable

**TFA6** Wall/Floor Anchor, Includes Mounting Hardware

## WALL / FLOOR ANCHOR

- Ideal For Securing Lawn Furniture, Bicycles, Tools, Motorcycles & More
- Use With TRIMAX™ Chains, Cables & Padlocks



**TFA6**

**Mounts Anywhere!**



**Alarm Locks**

Alarmed Locking Mechanism Sets Off Ear Piercing Scream When Moved Or Tampered With

- Push Button Activated Alarm - Use With Alarm Or Cable/Chain Lock Only

## CHAIN / CABLES

### 25mm Cable



**TAL1036**  
36" Chain

- Chain Withstands Over 6 Tons Of Pull Force & 11 Tons Of Cutting Force

- Features Exclusive TRIMAFLEX™ Quadra-Braid Cables For Maximum Security



**TAL2548**  
48" Cable

**TAL2572**  
72" Cable

- Durable Nylon Sleeve Protects Against Scratches

**Part No:**

**TAL1036** Alarmed Lock & THEX Super Chain - 10mm Links x 36" (L)

**TAL2548** Alarmed Lock & Quadra-Braid Cable - 25mm x 48" (L)

**TAL2572** Alarmed Lock & Quadra-Braid Cable - 25mm x 72" (L)

**TRIMAX**



**"Lock It Or Lose It"™**



# U-LOCKS

- HIGH SECURITY U-LOCKS
- SHORT U-LOCKS FOR TRIMAX CHAINS & CABLES
- LARGE SHACKLE U-LOCKS FOR BICYCLES & ATBs



**TRIMAX™**



**CABLE U-LOCKS**

"Simply The Strongest Short Shackle Locks You Can Buy"

- For Use On Motorcycle Discs & Looped Cables

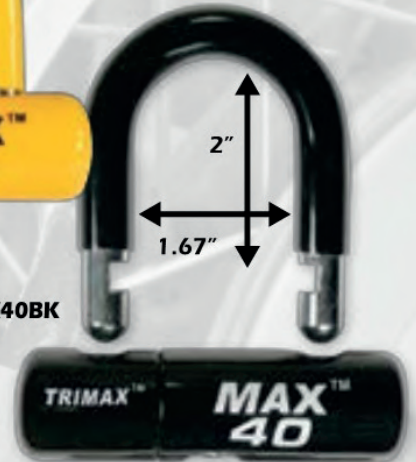
**HIGH SECURITY**



**MAX60**  
14mm (35/64") Shackle



**MAX40YL**  
12.7mm (1/2") Shackle



**MAX40BK**



- Includes 3 Ultra Secure Keys. One Key Is A Mini Flashlight

**Part No:**

- MAX60** General Purpose U-Lock - Black W/Chrome 14mm Shackle
- MAX40YL** General Purpose U-Lock - Yellow W/Chrome 1/2" Shackle
- MAX40BK** General Purpose U-Lock - Black W/Chrome 1/2" Shackle

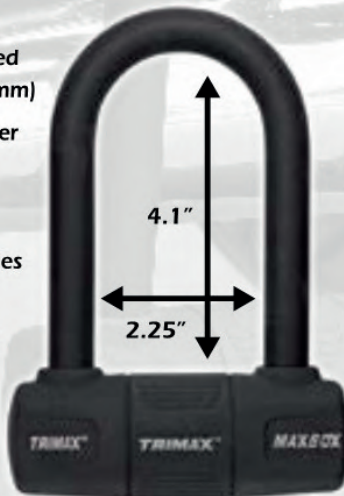
**SPECIALTY U-LOCKS**

Rubberized Coating Protects Painted Surface

**HIGH SECURITY**

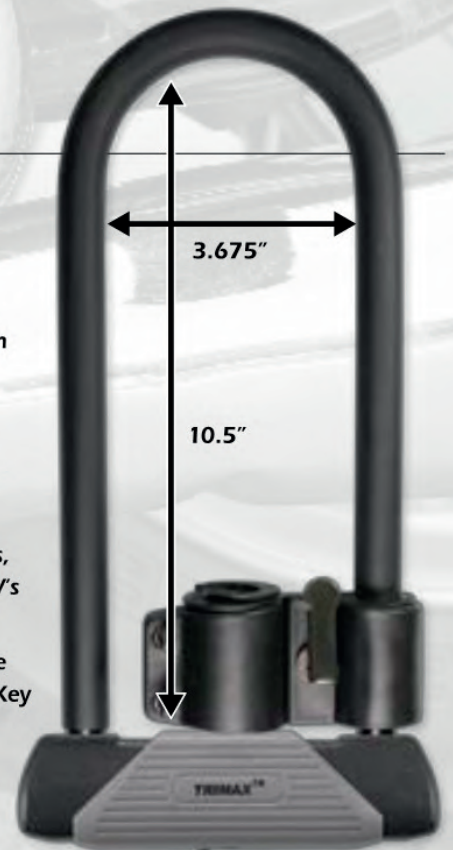
**MAX60X**

- 4.1" Extended Shackle (14mm)
- Offers Greater Use For Motorcycle Discs & Looped Cables
- Includes 3 Ultra Secure TRIMAX™ Keys



**MAX90**

- High Strength Hardened Steel, 16mm Shackle
- Mounting Bracket Included
- Great For Motorcycles, Bikes & ATV's
- Includes 3 Ultra Secure Keys. One Key Is A Mini Flashlight



**Part No:**

- MAX60X** MINI-U-Shackle Lock, 2.25" x 4.1" Inner Measurement W/ 14mm Shackle
- MAX90** MAX Security U-Shackle Lock, 3.675" x 10.5" Inner Measurement W/16mm Shackle



**"Lock It Or Lose It"™**

# U-LOCKS

## 14MM SHACKLES

Double Dead Bolt Locking System For Maximum Security

- Includes Quick Release Bicycle Bracket

### HIGH SECURITY



**MAX802**



**MAX803**



**MAX801**

- MAX801 Includes 10mm x 48" Dual Loop Cable

- Rotating Key Hole Covers Keep Out Dirt & Corrosion
- Rubberized Coating Protects Painted Surfaces



- Locks Include 2 Keys

## 15MM SHACKLES

### MAXIMUM SECURITY



- Max Security For Motorcycles As Well



**MAX701**



**MAX702**

**Part No:**

- MAX801** MAX Security U-Shackle Lock, 4-1/2" x 7-1/2" W/14mm Shackle, 10mm x 48" Cable
- MAX802** MAX Security U-Shackle Lock, 4-1/2" x 7-1/2" W/14mm Shackle
- MAX803** MAX Security U-Shackle Lock, 4-1/2" x 10-1/2" W/14mm Shackle
- MAX701** MAX Security U-Shackle Lock, 3-1/2" x 5-1/2" W/15mm Shackle
- MAX702** MAX Security U-Shackle Lock, 5" x 9" W/15mm Shackle

**TRIMAX**



14MM SHACKLES

HIGH SECURITY

High Security Protection For Your Bicycle Or ATB



MAX602  
4-1/8" x 8" Shackle

- Includes Quick Release Bicycle Bracket



- Includes 3 Ultra Secure Keys. One Key Is A Mini Flashlight

- Heavy Duty Anti-Pick Lock Head
- Key Hole Cover Keeps Out Dirt & Corrosion

- Made Of High Strength Hardened Steel



MAX601  
4-1/8" x 11" Shackle

Part No:

- MAX601 Max-Security Bicycle/ATB U-Shackle Lock, 4-1/8" x 11" W/14mm Shackle
- MAX602 Max-Security Bicycle/ATB U-Shackle Lock, 4-1/8" x 8" W/14mm Shackle



**"Lock It Or Lose It"™**



# DISC LOCKS

- ROTOR / DISC LOCKS
- ALARMED & NON-ALARMED
- MOTORCYCLE LOCKS



**TRIMAX**



**"Lock It Or Lose It"™**

# ROTOR/DISC LOCKS

## MOTORCYCLE LOCKS

### 110dB Siren

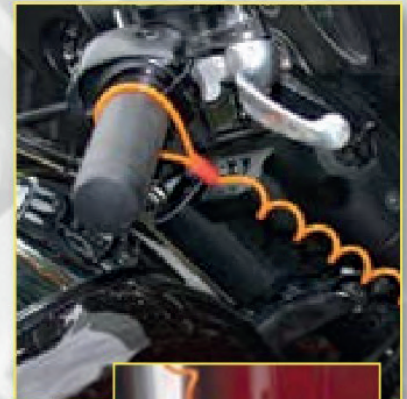
Ear Piercing Alarm Alerts You Of Any Unwanted Movement Or Possible Lock Tampering

## ALARMED



TAL88

- Easy-To-Use Durable Push Button Lock
- Reminder Cable Alerts You To Lock In Use
- 7mm Lock Pin



TAL88YL



## INCLUDED



TSC612  
Reminder Cable

- All Disc Locks Include:  
Carrying Pouch, Disc Lock Reminder Cable & 3 Keys



**TRIMAX**



MOTORCYCLE LOCKS

High Security Rotor Locks Help Protect Against Tampering Or Theft!

NON-ALARMED



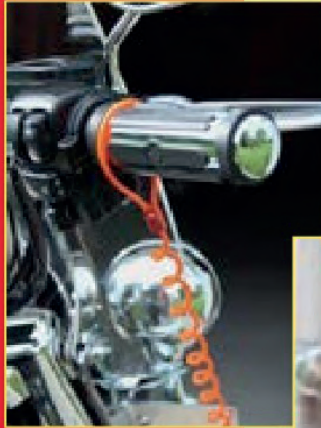
T665LC  
10mm Lock Pin



T665LY  
10mm Lock Pin



T645S  
5.5mm Lock Pin



- Rugged Disc Locks Are Hardened To Resist Cutting, Sawing & Chisel Attacks
- Premium Disc Locks Feature High Security Anti-Drill Lock Core

- Locks Include Carrying Pouch, Disc Lock Reminder Cable & 3 Keys. One Key Is A Mini Flashlight

Durable, Easy-To-Use Push Button Lock



Part No:

- TAL88** Alarmed Disc Lock With 7mm Pin - Chrome W/Pouch & Reminder Cable
- TAL88YL** Alarmed Disc Lock With 7mm Pin - Yellow W/Pouch & Reminder Cable
- T665LC** Hardened Metal Disc Lock With 10mm Pin (Long Throat) - Chrome W/Pouch & Reminder Cable
- T665LY** Hardened Metal Disc Lock With 10mm Pin (Long Throat) - Yellow W/Pouch & Reminder Cable
- T645S** Hardened Metal Disc Lock With 5.5mm Pin (Short Throat) - Yellow W/Pouch & Reminder Cable
- TSC612** Disc Lock Dual Loop Safety Cable (Reminder Cable) 1/8" x 48" (L)



**"Lock It Or Lose It"**



# PADLOCKS

- INTERNAL SHACKLE LOCK, DOOR HASP
- MAGNUM, COMBINATION & DISC PADLOCKS
- MARINE GRADE, WEATHER PROOF & LAMINATED PADLOCKS



**TRIMAX**



MAGNUM / DOOR LOCKS

Protects Against Bolt Cutters

- No Exposed Shackle To Cut Or Saw

SHIELDED



Enlarged Opening Covers & Secures ALL Trailer Hasps!

- Solid Steel & Thicker Body With 3/8" Diameter Internal Shackle
- For Gates, Trucks & Heavy Duty Security Hasps



THPXL  
2-7/8" In Diameter



- Available In Single Packs Or Keyed Alike 2 & 3 Packs
- Easy-To-Use & Weather Resistant

TRAILER DOOR HASP

Epoxy Coated Steel 2 Piece Hasp For Trailer & Shed Doors

HIGH SECURITY

THSP2C



Ultimate Hasp Security

- Designed To Work With The THPXL "Hockey Puck"



- The THPXL & THSP2C Combine For The Ultimate In Security



Part No:

- THPXL** "Hockey Puck" Universal Fit Internal Shackle Trailer/Shed Door Lock - Re-Keyable.
- THP2XL** 2-Pack Keyed Alike THPXL
- THP3XL** 3-Pack Keyed Alike THPXL
- THSP2C** "Hockey Puck" Internal Shackle Trailer/Shed Door Hasp - 2 Piece



**INDOOR LOCKS**

Hardened Chrome Steel

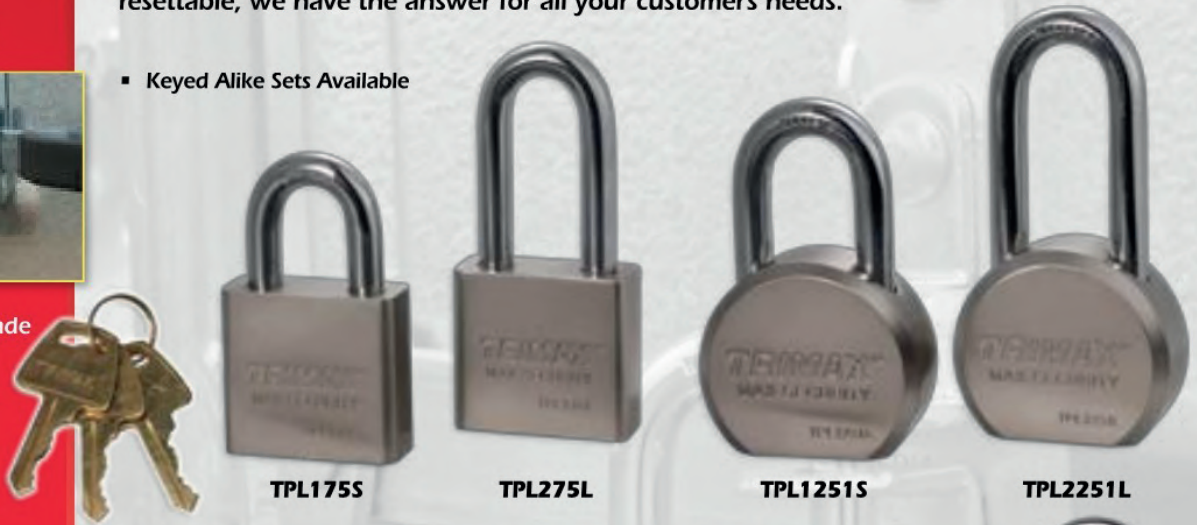


- Commercial Grade & Re-keyable Locks

**MAGNUM**

TRIMAX, offers a wide selection of high quality premium padlocks for all applications, from school lockers, to severe weather, to high security job sites. Re-keyable and resettable, we have the answer for all your customer's needs.

- Keyed Alike Sets Available



TPL175S

TPL275L

TPL1251S

TPL2251L

**BRASS LOCKS**

Resettable

**COMBINATION**

- Easily Set And Lock In Your Own Combination With Enclosed Key
- Solid Brass Lock Body
- Weather Resistant



TPC125

TPC225

**DISC LOCK**

Protects Against Bolt Cutters

**NEW!!**  
Combination Version



TRP170



- Keyed Alike Sets Available



- Stainless Steel, Exclusive Armor Plated Key Core For Added Security

TRPC170



Resettable

**Part No:**

- TPL175S** Sq. Hardened 50mm Solid Steel Padlock, 1-1/4" x 10mm Dia. Shackle - Re-Keyable
- TPL275L** Sq. Hardened 50mm Solid Steel Padlock, 2-1/4" x 10mm Dia. Shackle - Re-Keyable
- TPL1251S** Sq. Hardened 64mm Solid Steel Padlock, 1-1/4" x 10mm Dia. Shackle - Re-Keyable
- TPL2251L** Sq. Hardened 64mm Solid Steel Padlock, 2-1/4" x 10mm Dia. Shackle - Re-Keyable
- TPC125** Solid Brass 2" Body W/1-1/4" x 8mm Dia. Hardened Shackle, Resettable
- TPC225** Solid Brass 2" Body W/2-1/4" x 8mm Dia. Hardened Shackle, Resettable
- TRPC170** Stainless Steel 70mm Round Resettable Combination Padlock
- TRP170** Stainless Steel 70mm Round Keyed Padlock
- TRP3170** TRP170 3-Pack, Keyed Alike



**MARINE GRADE**



▪ TPB87 Available In Keyed Alike 4 Pack, TPB1125

**DUAL LOCKING**

▪ Solid Brass Body



**TPB75**

**TPB87**

**TPB1125**

**TPB1137**

**WEATHER PROOF**

Weather Resistant PVC Housing



**TPW1125**

▪ Laminated Solid Steel Lock Body  
▪ Key Hole Cover Keeps Out Dirt



**TPW3125**  
Keyed Alike 3 Pack

**Part No:**

**Marine Grade Series**

- TPB75** 2-Pack Marine Grade Dual Locking Solid Brass Body W/Hardened .75" x 3/16" Dia. Shackle
- TPB87** Marine Grade Dual Locking Solid Brass Body W/Hardened .87" x 1/4" Dia. Shackle
- TPB487** 4-Pack Of Keyed Alike TPB87 Dual Locking Solid Brass Body .87" x 1/4" Dia. Shackle
- TPB1125** Marine Grade Dual Locking Solid Brass Body W/Hardened 1-1/8" x 5/16" Dia. Shackle
- TPB1137** Marine Grade Dual Locking Solid Brass Body W/Hardened 1-3/8" x 3/8" Dia. Shackle

**Weather Proof Series**

- TPW1125** Weather Proof Laminated Solid Steel Body, Dual Locking 1-1/8" x 5/16" Dia. Shackle
- TPW3125** 3-Pack Of Keyed Alike TPW1125 Weather Proof Locks - 1-1/8" x 5/16" Dia. Shackle

**LAMINATED**



▪ TLM100 Available In Keyed Alike 4 Pack, TLM4100



**TLM87**

**TLM100**

**TLM1125**

**TLM2150**

**Part No:**

- TLM87** Dual Locking 30mm Solid Steel Laminated Padlock W/7/8" X 3/16" Dia. Shackle
- TLM100** Dual Locking 40mm Solid Steel Laminated Padlock W/1" X 1/4" Dia. Shackle
- TLM4100** 4-Pack Keyed Alike TLM100 40mm Padlocks W/1" X 1/4" Dia. Shackle
- TLM1125** Dual Locking 50mm Solid Steel Laminated Padlock W/1-1/8" X 5/16" Dia. Shackle
- TLM2150** Dual Locking 65mm Solid Steel Laminated Padlock W/1-1/2" X 7/16" Dia. Shackle



**"Lock It Or Lose It"™**



# SPECIALTY LOCKS

- LUNETTE TOW RING LOCK, 5TH WHEEL LOCK, WHEEL DISC LOCK
- UNIVERSAL WHEEL CHOCK LOCKS
- OUTBOARD MOTOR LOCK, GUN LOCKS



**TRIMAX**



### WHEEL LOCK

Clamps Tight To Wheel For Added Security

### NEW!! Super MAX 400

- Heavy Gauge Steel Disc Covers Lug Nuts To Prevent Tire Removal
- Fits Almost All 10 - 18" Wheels



- Includes 2 Rugged Keys

Part No:

**TWL100**

- Maximum Security For: Trucks, Construction Equipment, Trailers, Boats, Cars, ATV's & 4x4's

Adjustable Wheel Lock. Fits Nearly All 10 - 18" Wheels.

**TWL400**

Adjustable Wheel Lock. Fits Nearly All 10 - 18" Wheels. Includes Weather Proof Padlock.

### LUNETTE LOCK

MAX Security For Unattended Pintle Hook Trailers

### PINTLE HOOK

TLR51

### Lunette Tow Ring Security Lock



- Made From Heavy Duty Weather Resistant Metal Alloy
- Fits 2-7/8" Inside Diameter
- Easy To Install
- Includes 2 Rugged Keys



Part No:

**TLR51**

Lunette Tow Ring Lock, 2-7/8" Inside Dia.

### 5TH WHEEL LOCK

MAX Security For Unattended 5th Wheel Trailers

TFW55



- Constructed Of Heavy Gauge Alloy For Added Security
- Rugged Weather Proof Epoxy Powder Coat Finish Prevents Rust



### Easy To Install

- Unlock TFW55, Lock Head Will Spring Out From The Lock. Slide Lock Up To Cover Hitch. Push In Lock Head & Turn Key

Part No:

**TFW55**

5th Wheel Trailer Lock



- Includes 2 Rugged Keys

**TRIMAX**



**CHOCK LOCKS**

"Chock It & Lock It"™

**ULTRA-MAX SECURITY**



**TCL65**



**TCL75**

- Exclusive Dual Action Design - Chocks & Locks The Wheel To Prevent Trailer Roll Away

- Available In Two Sizes:  
**TCL65** - 6" - 10.5"  
**TCL75** - 7" - 11.25"
- Made Of Heavy Gauge Rugged Powder Coated Steel
- Includes 3 Keys
- Rubber Coated Arms Protect Wheel Finish

- High Strength Pick Resistant Locking Mechanism With Cover To Help Keep Out Dirt & Grime

**2-PACKS**



- Quick & Easy Installation For Unattended: Trailers, Construction Equipment, Cars, Boats, ATV's & More!

- Available In Keyed Alike 2-Packs Includes Carrying Case



**Application Guide**

Tire Size	TCL75	TCL65
16.5x6.5-8	X	
4.8" -R12	X	X
7.5" -R16	X	
195/75/R14	X	X
205/60/R15	X	X
205/70/R15	X	X
215/70/R15	X	X
225/75/R15	X	X (snug fit)
235/75/R15	X	X
235/80/R16	X	
33"x12.5"/R15	X	

**Part No:**

- TCL65** Deluxe Universal Wheel Chock Lock. Closed 6", Open 10.5", Reach 7.25"
- TCL75** Deluxe Universal Wheel Chock Lock. Closed 7", Open 11.25", Reach 10.5"
- TCL265** Deluxe TCL65 Universal Wheel Chock Lock 2-Pack
- TCL275** Deluxe TCL75 Universal Wheel Chock Lock 2-Pack



### MOTOR LOCK

### OUTBOARD

Fits Most Outboard Motors

- Water Proof Powder Coat Finish

TBL610



- Constructed Of Heavy Gauge Steel For Maximum Security



Part No:

**TBL610** Outdoor Motor Lock, Quick Release/Install, Clamps & Secures For Maximum Security

### BOW RING LOCK

### WATERCRAFT

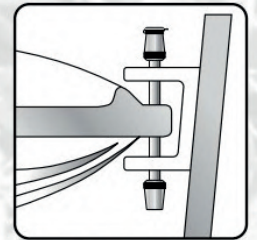
5-1/2" Span Fits ALL Bow Rings

- Added Security For Your Personal Watercraft

T6



- High Quality Forged Chrome Plated Machine Hardened Steel
- Test Specifications Exceed 32,000 LBS.



Part No:

**T6** Watercraft Locking Pin, 5-1/2" X 1/2" Dia.

### GUN LOCKS

### KEYED & COMBO

For Total Peace Of Mind

- Installs & Removes In Seconds
- **TGL22** Available In Single & Keyed Alike Triple Packs

**TGCL44** Available In Single & Double Packs



- 3 Digit Combination Lock Is Easy To Apply & Remove

TGCL44



- Rubber Lining Helps Protect Gun's Finish



Part No:

- TGCL44** Max-Security Combo Gun Lock. Single Pack
- TGCL244** Max-Security Combo Gun Lock. Double Pack
- TGL22** Max-Security Keyed Gun Lock. Single Pack
- TGL322** Max-Security Keyed Alike Gun Locks. Triple Pack



**"Lock It Or Lose It"™**



# BIKE CARRIERS



- DELUXE 3 & 4 BIKE HITCH MOUNT CARRIERS
- 2 & 4 BIKE TRAY STYLE CARRIERS
- UNIVERSAL 3 BIKE TRUNK MOUNT CARRIER



**TRIMAX™**



# RAZORBACK 4X

PREMIUM  
4 Bike Carrier

## HITCH MOUNT

- Soft Padded Cradles And Rubber Straps Help Position And Secure The Bikes
- Arms Can Easily Fold When Not In Use
- Rack And Bikes Tilt Down For Gate Access Using Easily Accessible Release
- Strong Easy To Use Locking Attachment System To Fit Any 1-1/4" And 2" Receiver
- Solid Steel Frame Carries Up To 4 Bikes (Max 15kg/33lbs Per Bike)



▪ Integrated Locking Cable

Safety Straps Included

RMRB4X



- Tilted Position For Rear Access



# RAZORBACK 3

DELUXE  
3 Bike Carrier

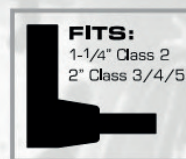
## HITCH MOUNT

- Soft Padded Cradles And Rubber Straps Help Position And Secure The Bikes
- Arms Can Easily Fold When Not In Use
- Complete Rack Tilts Down For Gate Access
- Strong Easy To Use Locking Attachment System To Fit Any 1-1/4" And 2" Receiver
- Solid Steel Frame Carries Up To 3 Bikes (Max 15kg/33lbs Per Bike)



RMRB3

Safety Straps Included



Part No:

**RMRB4X** Razorback 4X – PREMIUM 4-Bike Receiver Hitch Mounted Carrier

**RMRB3** Razorback 3 – DELUXE 3-Bike Receiver Hitch Mounted Carrier



**BLADE-RUNNER 4**

**DELUXE**  
4 Bike Carrier



▪ **Folded Storage Position**

**TRAY STYLE**

- Compact And Light Weight Design Allows User To Easily Store Product In The Car Trunk
- Adjustable Padded Arms To Support The Bikes Vertically
- Strong, Easy To Use Locking Attachment System To Fit Any 2" Receiver
- High Resistance Wheel Straps With Zamack Buckles And Soft Pads Fit Rims And Tire Sizes
- Wheel Supports Adjust To Fit Most Bike Sizes
- Arm Can Fold When Gate In Use For Gate Access
- Solid Steel Frame Carries Up To 4 Bikes (Max 15kg/33lbs Per Bike)



**BLADE-RUNNER 2**

**DELUXE**  
2 Bike Carrier

**TRAY STYLE**

Same Features As 4 Bike

- Solid Steel Frame Carries Up To 2 Bikes (Max 15kg/33lbs Per Bike)



**Part No:**

**RMBR2** Blade-Runner 2 – DELUXE 2-Bike Tray Style Receiver Hitch Mounted Carrier

**RMBR4** Blade-Runner 4 – DELUXE 4-Bike Tray Style Receiver Hitch Mounted Carrier







**EASY RIDER**

**UNIVERSAL**  
3 Bike Carrier



- Attaches To Cars, SUV's & Vans

**TRUNK MOUNT**

- Soft Padded Cradles And Rubber Straps Securely Position The Bikes
- Adjustment With Easy To Use Cam Lever Mechanism
- Coated Hooks To Protect The Vehicles Paint
- 6 Straps For Higher Stability
- The Complete Rack Folds And Can Be Easily Stored Inside The Car



- Easy To Use Cam Lever

**Part No:**

**RMER3** Easy Rider – PREMIUM 3-Bike Trunk Mounted Carrier



**100% Assembled Safety Straps Included**



**BICYCLE LOCKS**

Keep You Bicycles Secured And Safe

**ACCESSORIES**

Multi-Use  
**CABLE LOCKS**



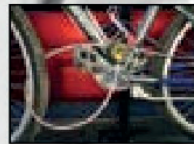
Quadra-Braid Cable  
**DUAL LOOP**

**MAG10SC**  
Page 26



Versa-Cable  
**VMAX6**  
Page 25

Moveable, Cinchable Lock Head



High Security  
**CABLE U-LOCKS**



**MAX60X**  
Page 35



**MAX602**  
Page 37



**MAX801**  
Page 36



**MAX802**  
Page 36



**TRC126**  
Page 27

**TKC126**  
Page 27



**TRL126**  
Page 27

**MAX60**  
Page 35



**MAX90**  
Page 35



**MAX40YL**  
Page 35



**MAX40BK**  
Page 35



**"Lock It Or Lose It"™**



- PLANOGRAMS
- 4 X 4
- 4 X 8
- END CAPS



# PROMOTIONAL

- NATIONAL TRADE SHOWS
- ASSORTED LOCK DISPLAYS
- CABLE POP DISPLAYS
- HITCH DISPLAYS
- ACCESSORIES
- BANNERS
- SHIRTS
- HATS





# POP DISPLAYS

Convenient,  
Attractive,  
Sturdy & Mobile

- Includes Header Card & Hooks

- **TDR40 & TDR40M** (Marine) Entry Level Display

- **TDR100** Expanded - Deluxe Display

## PROVEN SUCCESS

### Get With The Program

#### It's A Proven Success!

Specialty Truck Dealers, R.V. Dealers, Hitch Installers, Marine Stores, Auto Dealers, All Across North America Have Taken Advantage Of The **TRIMAX™** Merchandising Program And Substantially Increased Their Lock Sales.

- **Flexible Assortment Mix**  
Allows You To Tailor The Planogram To Fit Your Customer's Demographics & Requirements.
- **Sell More Premium Product**  
Increase Margin Dollars, Inventory Turns, And Most Of All... Customer Satisfaction Keeps Them Coming Back!

Create Your Own 2-Sided Assortment To Fit Your Clientele!

Team With



Part No:

**TDR40**

Point of Purchase Display, Header Card & Hooks

**TDR40M**

Point of Purchase Stainless Marine Display, Header Card & Hooks

**TDR100**

Expanded Deluxe Point of Purchase Display, Header Card & Hooks



**TRIMAX™**



POP DISPLAYS

Convenient & Attractive Unit To Display The New RAZOR Adjustable Hitches

ADJUSTABLE HITCHES



Strength/Function/Style

- Increase Sales Of High End Products
- Portable Display Can Be Easily Located Anywhere In Your Store For Better Customer Contact

RZRDR



Part No:

RZRDR TRIMAX Razor Display Rack, Displays 3 Razor Hitches & Comes With 25 Hooks

ACCESSORIES

- Contact TRIMAX For Promotional Products Available



TRIMAX™



**"Lock It Or Lose It"™**



**Strength / Function / Style™**



**NEW!**  
2.5" Aluminum  
MAX-HD Hitch

2" Aluminum  
XTR Hitch



On our website you can discover more about trailer hitches & towing.