

IMPORTANT SAFETY INSTRUCTIONS

WARNING – When using electric appliances, basic precautions should always be followed, including the following:

- Read all instruction before using the appliance.
- To reduce risk of injury, close supervision is necessary when an appliance is used near children.
- Do not contact moving parts.
- Only use attachments and accessories recommended or sold by manufacturer.
- Do not use outdoors.
- Turn the power switch to the off position when the appliance is not in use and before servicing or cleaning.

SAVE THESE INSTRUCTIONS

INSTALLATION INSTRUCTIONS

[50A RV POWER CORD REEL](#)

Tools Required: Drill, Wire Strippers, 5/16 Wrench, Tape Measure, Phillips Screwdriver

Parts Included: 1 Cord Reel

Additional Parts: (Available from TRC) Switch assembly MH2021, Floor Hatch and Under Coach Roller Guide

Installation Procedure

1. Identify compartment where the hose reel will be installed. To simplify the installation it is strongly recommended that the hose reel be installed in the compartment that stores the existing power cord.
2. Measure the compartment to insure there is enough space for the reel. **Do not forget to leave room for the hose to exit through the floor or wall directly in front of or below the hose reel.**
3. For proper operation the hose exit must be centered with the center of the spool. The distance away from the spool is not important, only that it is centered. If the exit is not centered the hose will wrap on the side of the spool closest to the exit and could bind on the reel.
4. Place the hose reel in the compartment.
5. **Mark the floor, wall or compartment where mounting bolts or screws will be located. Remove reel from compartment and drill holes for mounting bolts or screws. If reel is to be hung from the top of a compartment it must be installed into a steel frame component. Hanging reels from a wooden compartment is not recommended. If mounting on a plastic floor, a stiffening board or plate must be added.**
6. Place hose reel back in compartment and install mounting screws or bolts.
7. **If installing floor or wall hatch, drill or cut opening. For proper operation the hose exit must be centered with the center of the spool. Mount the floor or wall hatch.**

WARNING: To Reduce the Risk of Electric Shock, disconnect the main VAC power source prior to proceeding. This unit contains 125/250VAC. The wiring should only be done by a qualified electrician.

8. Connect the pigtail from the cord reel to the junction box or power switch where the original power cord was connected. The cord reel conductors are color coded to match the colors on the existing mains supply. **Green is Ground, Red and Black are Hot, and White is Neutral.**

Installation Procedure (cont.)

9. If using TRC switch assembly MH2021, mount switch face plate in desired location using appropriate hardware. If using TRC switch assembly RV2100 follow instructions included with switch. If using alternate switch not supplied by TRC, mount switch according to manufacturer's instructions. It may be necessary to mount switch after wiring to help with the routing and termination of wires. Be sure to mount and secure all wires to prevent any possible mechanical damage to outer insulation on the wires.

WARNING: To Reduce the Risk of Electric Shock, disconnect the 12VDC power source prior to proceeding.

10. Find the nearest 12 VDC power source. The power source must be from a circuit protected by a 20 Amp circuit breaker. Using power from a compartment is not recommended as these normally do not have a high enough amperage rating.

11. Route the wiring to the desired position of the switch previously located.

12. If using TRC switch assembly RV2100, follow instructions included with switch. If using TRC supplied switch assembly MH2021, refer to wiring diagram (Figure A). If using an alternate switch not supplied by TRC refer to wiring diagram (Figure B). Alternate switch must be a DPDT, (ON) OFF (ON) rocker type capable of handling 20 Amps VDC. All wiring regardless of switch used must be 14 AWG with all applicable terminals sized appropriately.

13. Reconnect the 12 VDC power supply.

14. Test unit by following steps listed in **OPERATING INSTRUCTIONS**.

Figure A:
12 Volt Motor Circuit Wiring Diagram

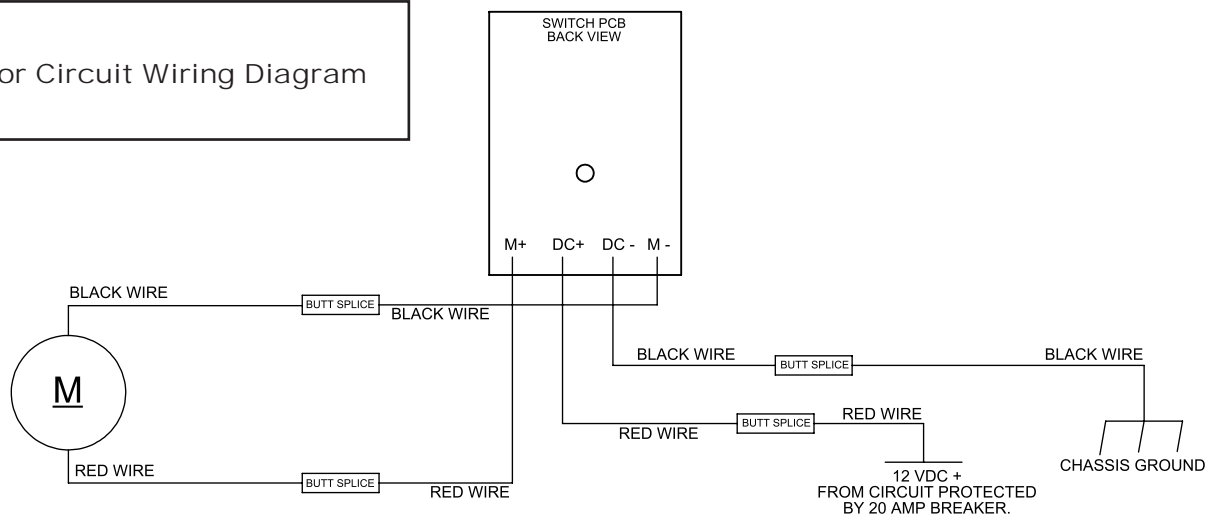
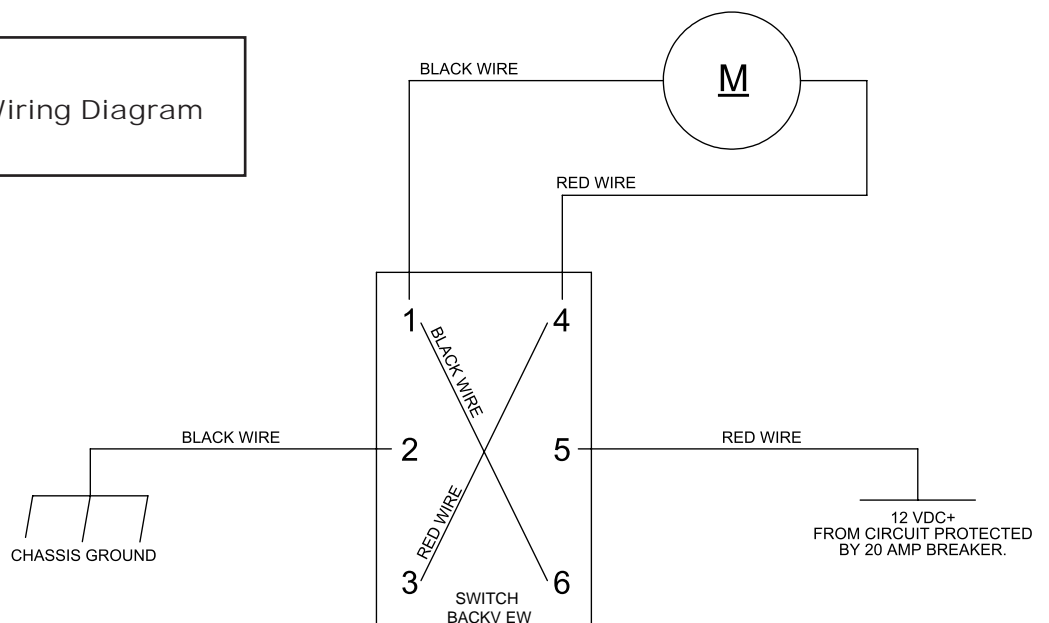


Figure B:
12 Volt Motor Circuit Wiring Diagram



OPERATING INSTRUCTIONS

This unit is designed with a clutch type drive to allow direct engagement during retract and clutch disengagement to allow for free spooling during release. These features are controlled using the rocker switch assembly MH2021/RV2100 or equivalent previously installed. To correctly operate the unit, follow the steps listed below. If the unit does not perform according to the instructions below first recheck wiring for any issues.

MOTOR OPERATION

1. Ensure power is being supplied by the 12 VDC source.
2. Locate the switch installed. If using TRC switch assembly MH2021/RV2100 identify the label markings "RETRACT" located at the top switch position and "RELEASE" located at the bottom switch position.
3. To retract the hose back onto the reel simply press and hold the switch in the top "RETRACT" position until the desired amount of hose is returned to the reel.
4. To release the hose from the reel, press the switch **MOMENTARILY** in the bottom "RELEASE" position. This unlocks the spool and allows for the hose to be manually pulled to a desired length. **DO NOT** attempt to pull hose from the reel without first pressing the switch momentarily in the bottom "RELEASE" position. Only a **MOMENTARY** press of the switch in the "RELEASE" position will be needed. **DO NOT** attempt to continuously hold the "RELEASE" switch position, doing so will cause the cord to unravel on the spool.

CORD OPERATION

Use only approved applicable outlets. Cord has built in handle for easy disconnect.

USER-MAINTENANCE INSTRUCTIONS

This unit does not have any user serviceable parts. The user can perform periodic inspection of the cord to insure it is still in usable condition. **DO NOT** use if cord is damaged. Tampering with the unit in any other way not mentioned in the **USER-MAINTENANCE INSTRUCTIONS** will void the warranty.