

## IMPORTANT SAFETY INSTRUCTIONS

**WARNING** – When using electric appliances, basic precautions should always be followed, including the following:

- Read all instruction before using the appliance.
- To reduce risk of injury, close supervision is necessary when an appliance is used near children.
- Do not contact moving parts.
- Only use attachments and accessories recommended or sold by manufacturer.
- Do not use outdoors.
- Turn the power switch to the off position when the appliance is not in use and before servicing or cleaning.

## SAVE THESE INSTRUCTIONS

## INSTALLATION INSTRUCTIONS

### 50A RV POWER CORD REEL

Tools Required: Drill, Wire Stripers, 5/16 Wrench, Tape Measure, Phillips Screwdriver

Parts Included: 1 Cord Reel

Additional Parts: (Available from TRC) Switch assembly MH2021, Floor Hatch, Under coach roller guide

#### Installation Procedure

1. Identify compartment where the cord reel will be installed. To simplify the installation it is strongly recommended that the cord reel be installed in the compartment that stores the existing power cord.
2. Measure the compartment to insure there is enough space for the reel. **Do not forget to leave room for the power cord to exit through the floor or wall directly in front of or below the cord reel.**
3. For proper operation the cord exit must be centered with the center of the spool. The distance away from the spool is not important, only that it is centered. If the exit is not centered the cord will wrap on the side of the spool closest to the exit and could bind on the reel.
4. Place the cord reel in the compartment.
5. Mark the floor, wall or compartment where mounting bolts or screws will be located. Remove reel from compartment and drill holes for mounting bolts or screws. If reel is to be hung from the top of a compartment it must be installed into a steel frame component. Hanging reels from a wooden compartment is not recommended. If mounting on a plastic floor, a stiffening board or plate must be added.
6. Place cord reel back in compartment and install mounting screws or bolts.
7. If installing floor or wall hatch, drill or cut opening. For proper operation the cord exit must be centered with the center of the spool. Mount the floor or wall hatch.

**WARNING:** To Reduce the Risk of Electric Shock, disconnect the 12VDC power source prior to proceeding. This unit contains 125/250VAC. The wiring should be only done by a qualified electrician.

8. Connect the pigtail from the cord reel to the junction box or power switch where the original power cord was connected. The cord reel conductors are color coded to match the colors on the existing mains supply.

**GREEN=GROUND, RED AND BLACK = HOT, WHITE=NEUTRAL**

9. If using TRC switch assembly MH2021 or RV2100, mount switch housing in desired location using appropriate

## Installation Procedure (cont.)

hardware. If using alternate switch not supplied by TRC, mount switch according to manufacturer's instructions. It may be necessary to mount switch after wiring to help with the routing and termination of wires. Be sure to mount and secure all wires to prevent any possible mechanical damage to outer insulation on the wires.

**WARNING:** To Reduce the Risk of Electric Shock, disconnect the 12VDC power source prior to proceeding.

10. Find the nearest 12 VDC power source. The power source must be from a circuit protected by a 20 Amp circuit breaker. Using power from a compartment is not recommended as these normally do not have a high enough amperage rating.
11. Route the wiring to the desired position of the switch previously located.
12. If using TRC supplied switch assembly MH2021 refer to wiring diagram (Figure A). If using part RV2100, follow instructions provided with the switchbox. If using an alternate switch not supplied by TRC, refer to wiring diagram (Figure B). Alternate switch must be a DPDT, (ON) OFF (ON) rocker type capable of handling 20 Amps VDC. All wiring regardless of switch used must be 14 AWG with all applicable terminals sized appropriately.
13. Reconnect the 12 VDC power supply.
14. Test the unit by following steps listed in **OPERATING INSTRUCTIONS**

Figure A:  
12 Volt Motor Circuit Wiring Diagram

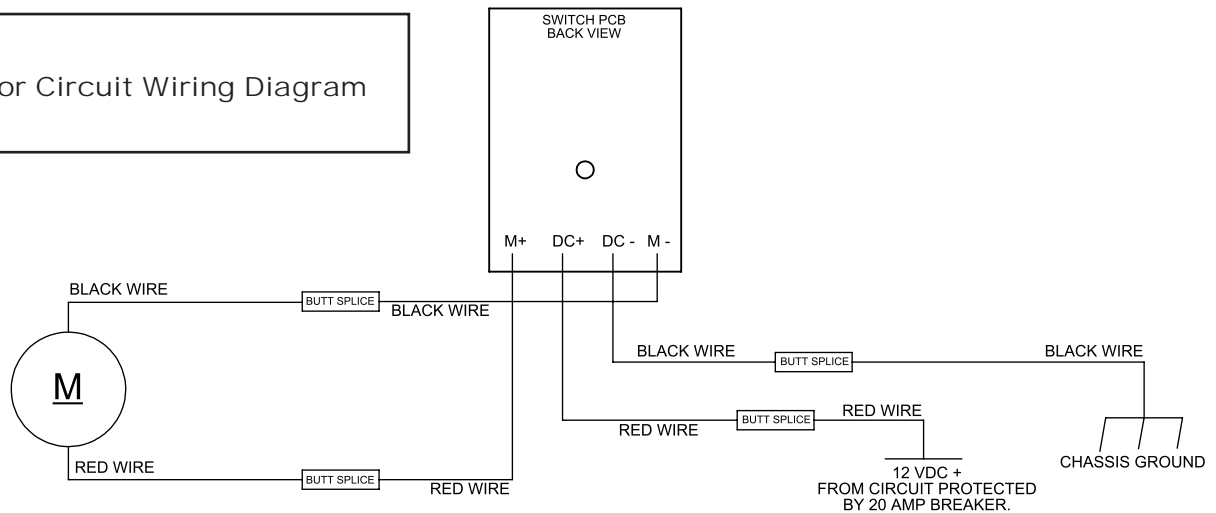
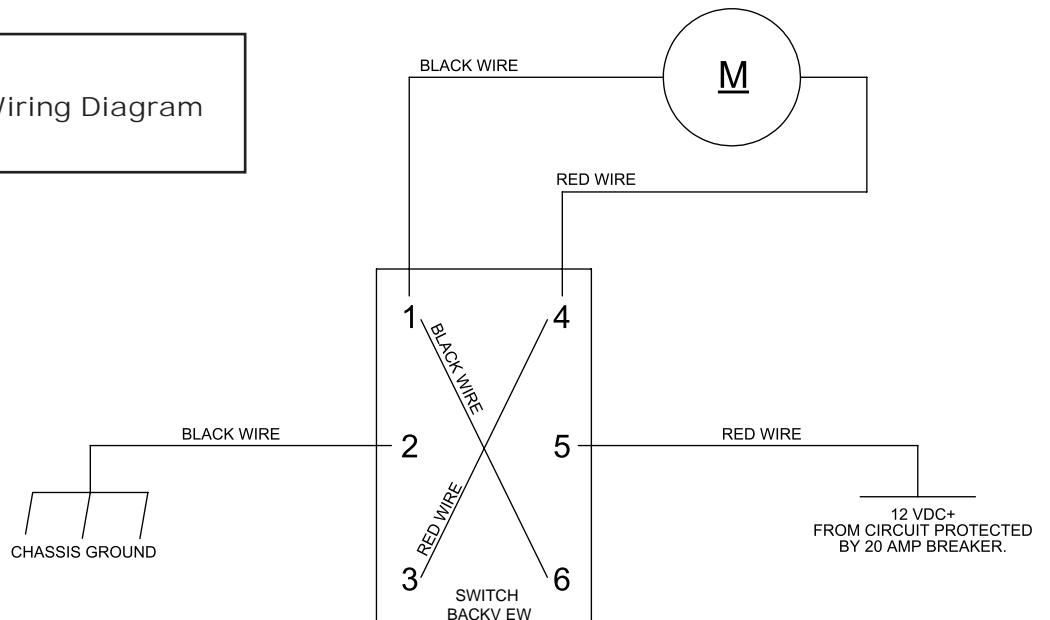


Figure B:  
12 Volt Motor Circuit Wiring Diagram



## OPERATING INSTRUCTIONS

This unit is designed with a clutch type drive to allow direct engagement during retract and clutch disengagement to allow for free spooling during release. These features are controlled using the rocker switch assembly MH2021, RV2100 or equivalent previously installed. To correctly operate the unit, follow the steps listed below. If the unit does not perform according to the instructions below first recheck wiring for any issues.

### MOTOR OPERATION

1. Ensure power is being supplied by the 12 VDC source.
2. Locate the switch installed. If using TRC switches, identify the label markings "RETRACT" located at the top switch position and "RELEASE" located at the bottom switch position.
3. To retract the cord back onto the reel simply press and hold the switch in the top "RETRACT" position until the desired amount of cord is returned to the reel.
4. To release the cord from the reel, press the switch **MOMENTARILY** in the bottom "RELEASE" position. This unlocks the spool and allows for the cord to be manually pulled to a desired length. **DO NOT** attempt to pull cord from the reel without first pressing the switch momentarily in the bottom "RELEASE" position. Only a **MOMENTARY** press of the switch in the "RELEASE" position will be needed. **DO NOT** attempt to continuously hold the "RELEASE" switch position, doing so will cause the cord to unravel on the spool.

### CORD OPERATION

Use only approved applicable outlets. Cord connector has a built-in Easy-T-Pull handle for easy disconnect.

## USER-MAINTENANCE INSTRUCTIONS

This unit does not have any user serviceable parts. The user can perform periodic inspection of the cord to insure it is still in usable condition.

**DO NOT** use if the cord is damaged.

Tampering with the unit in any other way not mentioned in the **USER-MAINTENANCE INSTRUCTIONS** will void the warranty.