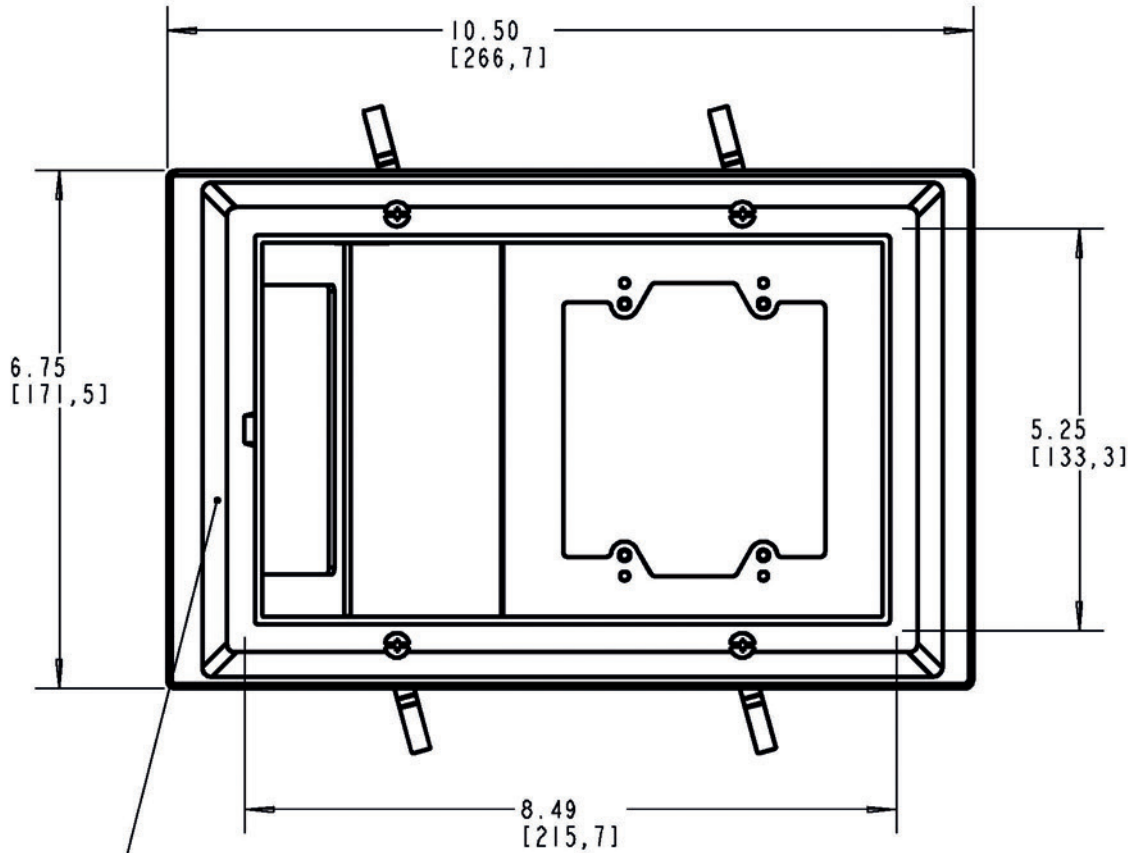
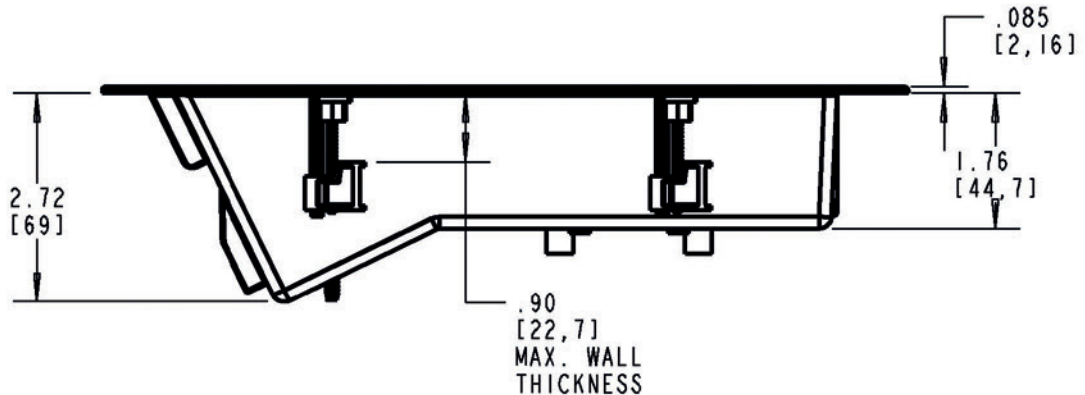


# Carlton



INSTALL OLD WORK BOX IN THIS AREA



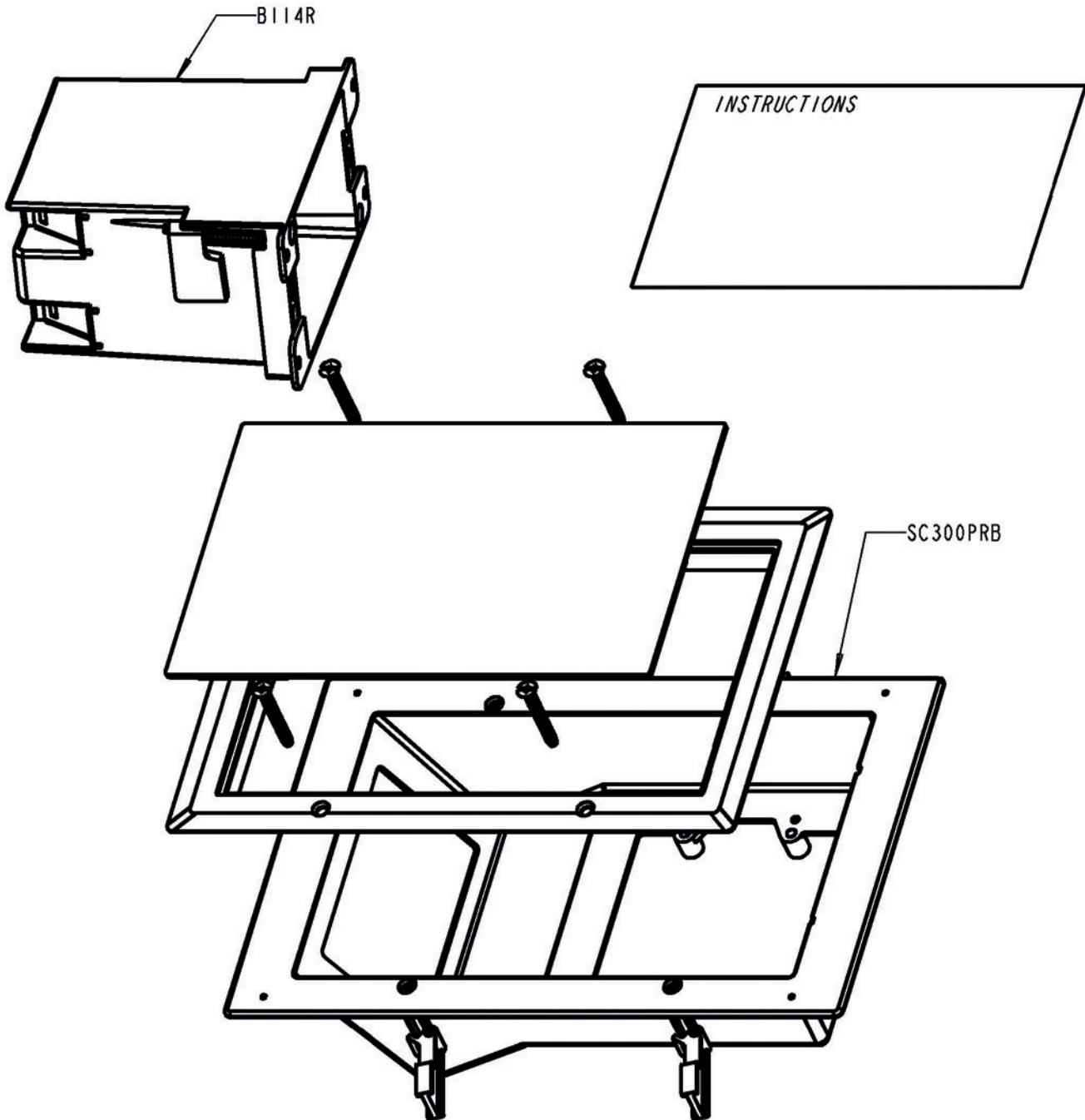
**NOTE:**

1. FOR USE EITHER CARLTON OLD WORK BOXES B114R OR B120R.
2. FOR STUDS 16" ON CENTER LOCATE BOX CUTOUT 3" FROM STUD.
4. FOR STUDS 24" ON CENTER LOCATE BOX CUTOUT BETWEEN STUDS.

P/N  
SC300PR

<b>GENERAL NOTES</b>		<b>Thomas &amp; Betts</b>			
1. ALL DIMENSIONS ARE FOR REFERENCE ONLY. 2. DIMENSIONS IN BRACKETS [ ] ARE IN METRIC UNITS.					
<b>REVISIONS</b>		<b>DESCRIPTION: DUAL VOLTAGE BOX ASSEMBLY</b>			
*** SEE ERN ( **** ) FOR APPROVAL SIGNATURES & RELEASE DATE. PROJECT NO: ****		ORIGINAL PROJECT NO / ( ERN NO )	SHEET NO:	REV. NO:	DRAWING NO:
		/ ( )	1 OF 2	A	<b>WSD-AC05024</b>

# Carlton®



**NOTE:**

1. DUAL VOLTAGE BOX SC300PR COMES WITH OLD WORK BOX B114R. IF LARGER BOX IS NEEDED USE CARLON'S OLD WORK BOX B120R.

P/N  
SC300PRB  
SC300PRR

**Thomas & Betts**

DESCRIPTION: **DUAL VOLTAGE BOX ASSEMBLY**

SHEET NO:

2 OF 2

REV. NO:

A

DRAWING NO:

**WSD-AC05024**

THIS DRAWING IS INTENDED FOR DESCRIPTIVE PURPOSES ONLY. AND THE RIGHT IS RESERVED TO DEVIATE FROM ANY OF THE DETAILS SHOWN HEREON.  
©2008 Thomas & Betts - Proprietary. All Rights Reserved

When it comes to quality home electrical products, Thomas & Betts is the brand you can depend on.