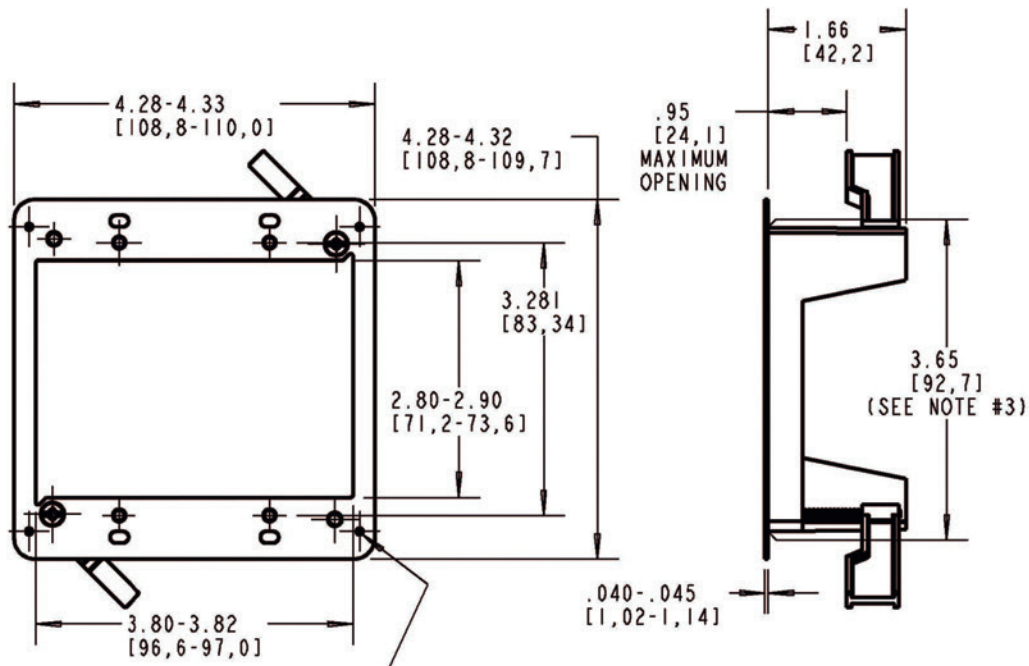
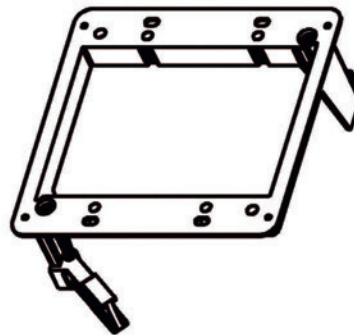


# Carlton



TO INSTALL, JUST FACE THE FRONT FLANGE ONTO THE DESIRED SURFACE. USING A PENCIL, MARK THE FOUR POINTS USING THE HOLES IN THE FOUR CORNERS ON THE FLANGE. DRAW A LINE CONNECTING THE FOUR POINTS, AND CUT ON THE LINES.



P/N SC200RR

<b>GENERAL NOTES</b>		<b>Thomas &amp; Betts</b>				
1. ALL DIMENSIONS ARE FOR REFERENCE ONLY. 2. DIMENSIONS IN BRACKETS [ ] ARE IN METRIC UNITS.						<b>DESCRIPTION: 2 GANG LOW VOLTAGE BRACKET</b>
<b>REVISIONS</b>		<b>ORIGINAL PROJECT NO / ( ERN NO )</b>		<b>SHEET NO:</b>	<b>REV. NO:</b>	<b>DRAWING NO:</b>
** SEE ERN ( **** ) FOR APPROVAL SIGNATURES & RELEASE DATE. PROJECT NO: ****		/ ( )		1 OF 1	C	<b>WSD-AC04768</b>

THIS DRAWING IS INTENDED FOR DESCRIPTIVE PURPOSES ONLY. AND THE RIGHT IS RESERVED TO DEVIATE FROM ANY OF THE DETAILS SHOWN HEREON.  
 ©2008 Thomas & Betts - Proprietary, All Rights Reserved

**WARNING:**  
 FOR USE WITH LOW VOLTAGE CLASS 2 DEVICES ONLY.  
 DO NOT USE AS A SUBSTITUTE FOR A CONVENTIONAL SWITCH/OUTLET BOX.

**NOTES:**  
 1.) PRODUCT IS ORANGE W/ ORANGE FLIPPERS.  
 2.) INSTALLATION HOLE DIMENSIONS: 3.96 +.10 / -.00 x 3.65 +.15 / -.00

When it comes to quality home electrical products, Thomas & Betts is the brand you can depend on.