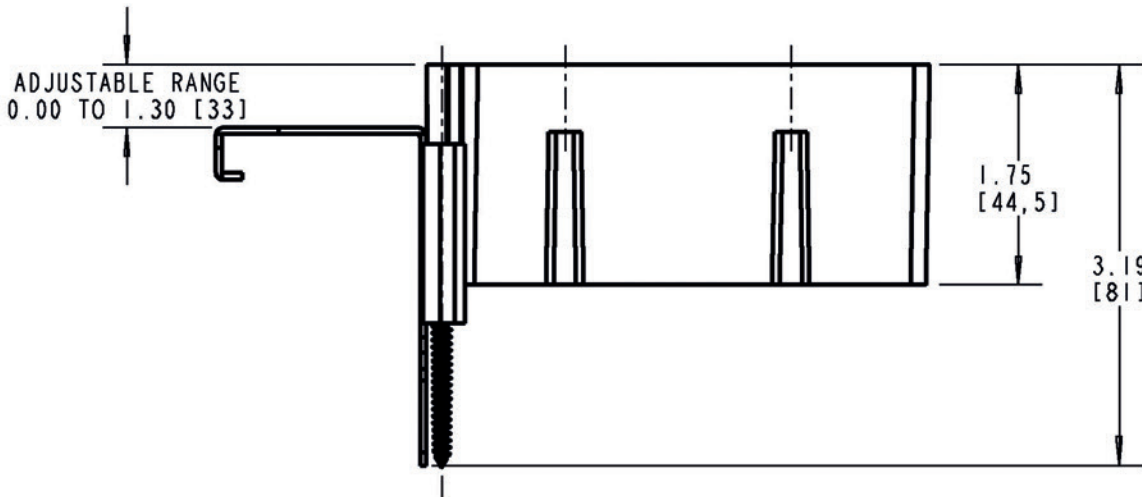
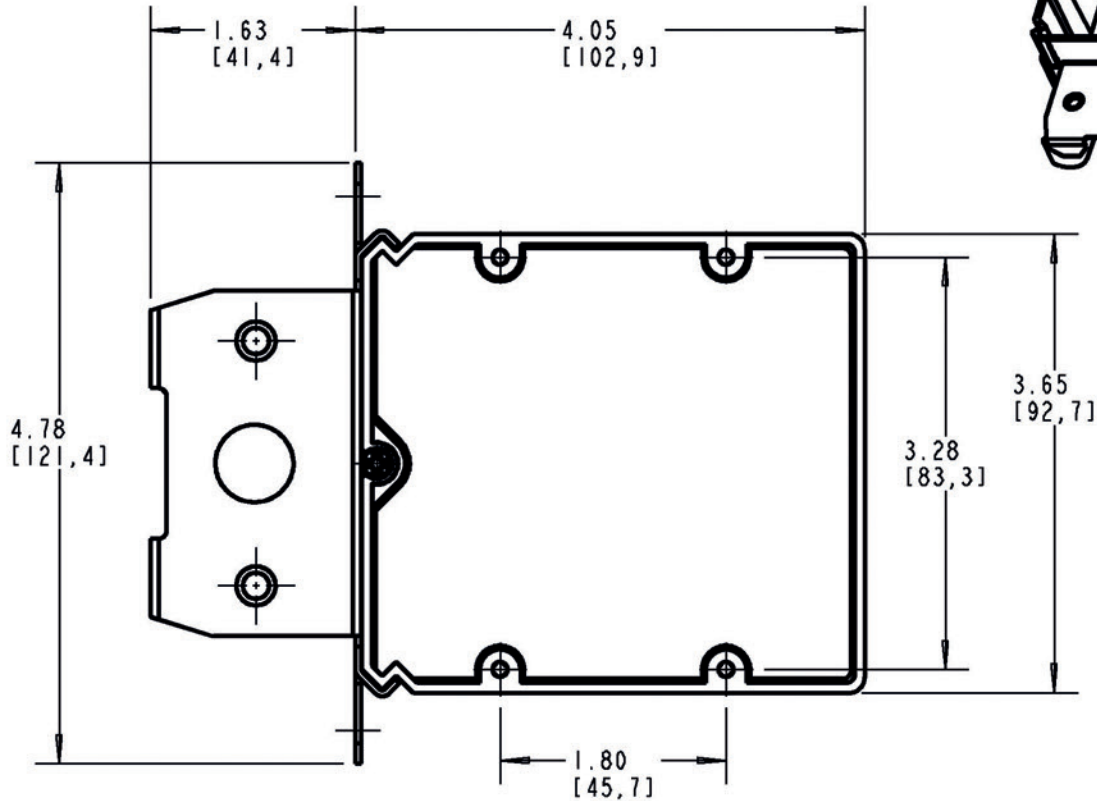
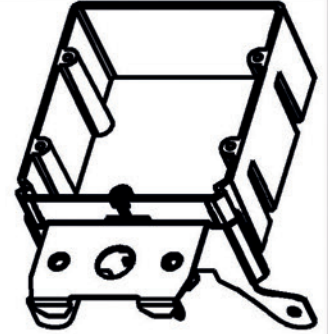


# Carlton



P/N SC200ADJC

**GENERAL NOTES**

1. ALL DIMENSIONS ARE FOR REFERENCE ONLY.
2. DIMENSIONS IN BRACKETS [ ] ARE IN METRIC UNITS.

**REVISIONS**

\*\* SEE ERN ( \*\*\*\* ) FOR APPROVAL SIGNATURES & RELEASE DATE.  
PROJECT NO: \*\*\*\*

**Thomas & Betts**

DESCRIPTION: **2 GANG LOW VOLTAGE ADJUSTABLE BRACKET ASSEMBLY**

ORIGINAL PROJECT NO / ( ERN NO )  
/ ( )

SHEET NO:  
1 OF 1

REV. NO:  
**A**

DRAWING NO:  
**WSD-AC04203**

THIS DRAWING IS INTENDED FOR DESCRIPTIVE PURPOSES ONLY. AND THE RIGHT IS RESERVED TO DEVIATE FROM ANY OF THE DETAILS SHOWN HEREON.  
©2008 Thomas & Betts - Proprietary, All Rights Reserved

When it comes to quality home electrical products, Thomas & Betts is the brand you can depend on.