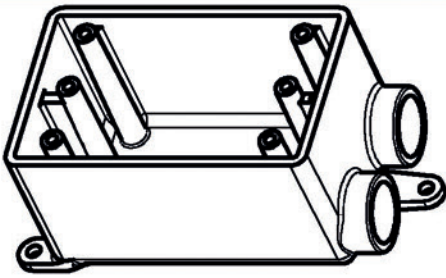
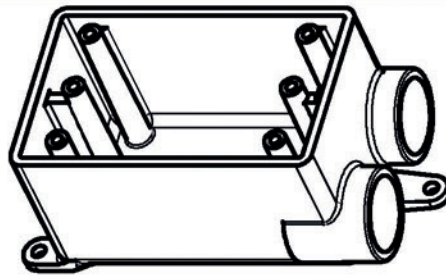




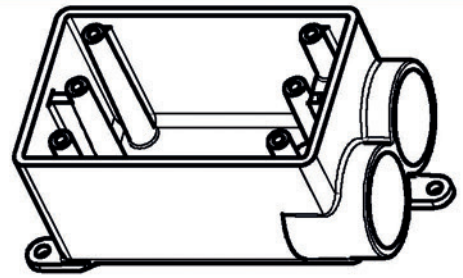
Carlton®



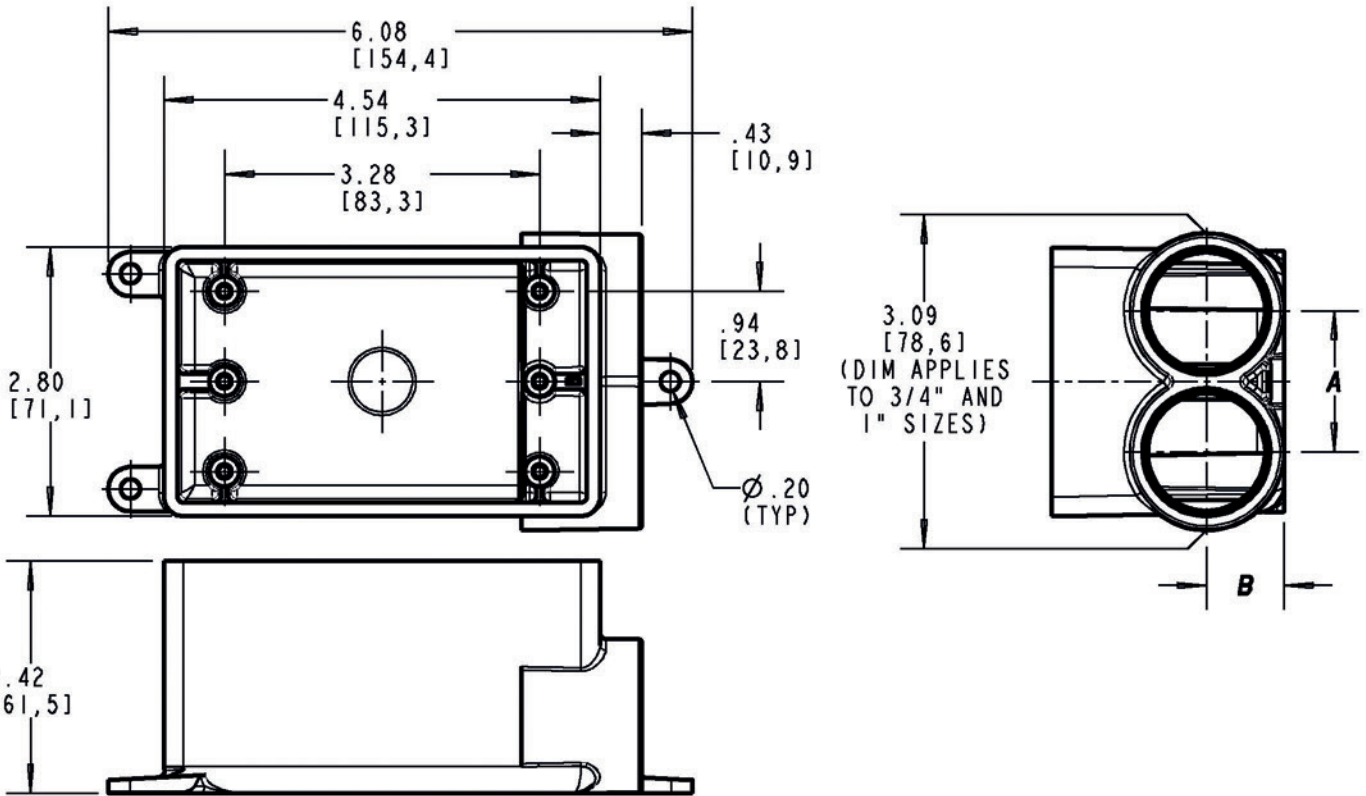
1/2"



3/4"



1"



PART NO.	CONDUIT SIZE	VOLUME CU. IN. (ML)	DIM. A	DIM. B
E982DFN E982DFN-CTN E982DFNL E982DFNL-4	1/2" [16]	18 [295]	1.53 [38.9]	.568 [14.4]
E982EFN E982EFN-CTN E982EFNL E982EFNL-4	3/4" [21]	18 [295]	1.20 [30.6]	.672 [17.1]
E982FFN E982FFN-CTN	1" [27]	18 [295]	1.47 [44.2]	.805 [20.4]

GENERAL NOTES

- ALL DIMENSIONS ARE FOR REFERENCE ONLY.
- DIMENSIONS IN BRACKETS [] ARE IN METRIC UNITS.

REVISIONS

C SEE ERN 2015298 FOR APPROVAL SIGNATURES & RELEASE DATE.
PROJECT NO: 5AM000012

Thomas & Betts

DESCRIPTION: **FS BOXES - 1/2", 3/4" & 1" TWO PORTS ONE SIDE (1" SIZE SHOWN)**

ORIGINAL PROJECT NO / (ERN NO)

/ ()

SHEET NO:

1 OF 1

REV. NO:

C

DRAWING NO:

WSD-AC02250

THIS DRAWING IS INTENDED FOR DESCRIPTIVE PURPOSES ONLY. AND THE RIGHT IS RESERVED TO DEVIATE FROM ANY OF THE DETAILS SHOWN HEREON.
©2008 Thomas & Betts - Proprietary. All Rights Reserved

When it comes to quality home electrical products, Thomas & Betts is the brand you can depend on.