

**THE T FORD**

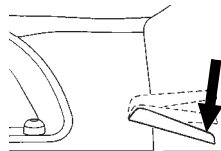
# Aria CLASSIC

# Aria DELUXE II

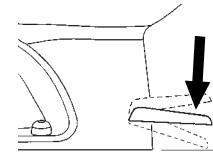
## RV Toilet

### Aria CLASSIC

#### Operation

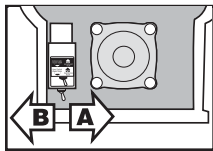


To flush



To add Water

### Aria DELUXE II Operation



#### Flush Modes

There are two flush modes available, controlled by the Mode Selector Switch located at back of toilet. **A** is Residential Mode; **B** is User Control/Water Saver Mode.



#### To flush

##### Residential Mode

Touch large button once and Walk-Away™.

##### User Control Mode

Hold down large button for up to 10 seconds of flush time.



#### In either mode To add water

To raise bowl water level after flushing, press and hold small button until desired level is reached. Fill stops automatically at 10 seconds. Wait 3 seconds before pressing button again.



#### To open flush valve

... to access holding tank or add deodorant, press both buttons at the same time, TWICE. To close valve, press large button ONCE.

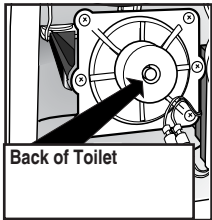


**CAUTION: Keep fingers away from motorized blade**

### Overfill Auto Shutoff

If the Add Water function is run long enough to overfill the bowl, it will automatically shut off. This will also occur if the toilet senses a malfunction.

Once this happens, the toilet electronics must be reset by cutting off and then restoring power to it, preferably at the RV's electrical panel. Alternatively, you can pull apart and reconnect the yellow in-line Fuse Holder at back of toilet (see Troubleshooting, Part 5). If problem recurs, your toilet may need service (see page 5).



## Manual override

In the event of a power outage, the contents of the bowl can be released to the holding tank by opening the valve manually using the override knob on the back of the toilet. Turn clockwise to open, counter-clockwise to close.

## Deodorizing

This toilet was designed to be compatible with Thetford brand holding tank deodorants.

## Cleaning

Use Thetford Aqua-Clean™ non-abrasive cleaner with a soft-bristle, non-abrasive bowl brush, sponge or soft cloth. **DO NOT USE SCOURING POWDERS, ACIDS OR CONCENTRATED CLEANERS, WHICH CAN DAMAGE SURFACES, PLASTIC PARTS AND RUBBER SEALS. FAILURE TO DO SO CAN VOID YOUR WARRANTY.**



## Trouble Shooting

- 1) **Leaks:**
  - a) **Back of toilet:** check water supply line connection.
  - b) **Between closet flange and toilet:** check Screws for tightness. If leak continues, remove toilet and check flange height. Adjust, if necessary, to 7/16" above floor. Replace flange seal if damaged.
- 2) **Bowl will not hold water:** Check for and remove foreign material in valve blade groove in the flush drain. If necessary, replace blade seal.
- 3) **Poor flush:** A good flush should be obtained within 2 to 3 seconds. If problem persists, remove the water supply line and check flow rate. The flow rate should be at least eight quarts (7.6 liters) per minute.
- 4) **Flush or Add Water stops after 10 seconds (Aria Deluxe II only):** an automatic shutoff is normal.
- 5) **No electric operation (Aria Deluxe II only):** check for blown/broken fuse. If needed, replace with a 4-amp Slow-Blow Fuse (Littlefuse 4-amp 3AG Slow-Blow or Thetford Part #19630). Failure to use the proper fuses and/or connections may result in damage to the Toilet or the RV and void the Warranty.

**CAUTION: To avoid breaking glass fuse, pull fuse holder STRAIGHT apart. Do not bypass the in-line fuse supplied with the toilet.**

## Winterization

*This toilet must be winterized to avoid freeze damage. Failure to do so will void warranty.*

- 1) Drain RV's potable water supply.
- 2) Flush all of toilet's plumbing with RV-type anti-freeze (Propylene Glycol).

Refer to your vehicle manufacturer's winterization procedure for further information.

## Installation

**Please read entire instructions before attempting installation.**

### Items Needed for Installation:

- Drill with 3/16-inch bit
- 1/2" Carbide drill bit with Locking Ring (if mounting on ceramic tile)
- 7/16-inch Wrench (Socket or Ratchet)
- Adjustable Wrench
- Silicone Caulk (RTV)
- Tool to cut carpeting/padding (if needed)

### Aria DeLuxe II only:

- Wire Crimper • Wire cutting pliers

### Plumbing required:

For adequate flush, a 3/8" (min.) water supply line with good flow is required.

### Aria DeLuxe II only

1. A 12-volt power line with access to the Toilet is required.

**Warning:** Thetford Corporation recommends that a qualified RV Technician or Electrician install this toilet according to all applicable codes and regulations. Improper installation can result in equipment damage, personal injury or death.

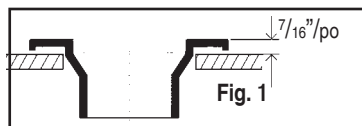
**Use a 10-amp breaker or fuse when wiring from the primary 12-volt source. Failure to use the appropriate 10-amp breaker, or fuse holder and 10-amp fuse, can result in damage to your Thetford toilet, RV, or both.**

**IMPORTANT: A stable minimum of 10 volts DC is REQUIRED AT TOILET CONNECTION point for proper operation. If voltage is below 10 volts, re-wiring to a more stable source such as the main breaker panel or main battery terminal is required.**

2. Installer must provide required wire and connectors.
3. If wiring toilet to the main breaker panel or main battery terminal, use a 10-amp fuse or breaker.
4. For distances up to 20 feet from the nearest Breaker Panel or Battery to the Toilet, use 14-gauge or 12-gauge wire. For distances 20 feet or greater, use 12-gauge.

### Procedure (all models)

1. Unpack new toilet. Check for shipping damage.
2. Make sure RV's water supply is turned off.
3. Remove old toilet (including Closet Flange Seal and Closet Bolts). Take necessary precautions when handling and disposing of soiled toilet.
4. Install new Closet Flange Seal (found in Bolt Pkg.) to bottom of new Toilet with lip oriented down.
5. Make sure top of Closet Flange is 7/16" above floor surface. In some cases, the use of closet flange spacer(s) (included) may be required to achieve this mounting height (Fig. 1).
6. If necessary, the 3/8" spacer goes under the closet flange.



- $\frac{1}{8}$ " spacers adhere to the top of closet flange with silicone sealant.
- Spacer orientation doesn't matter with either of Theford's spacers.

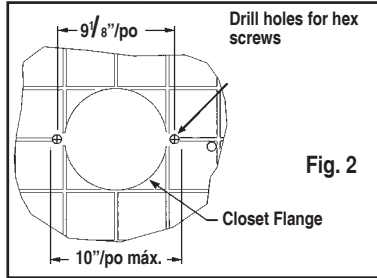
## If Toilet Goes On...

### Carpeted Floor:

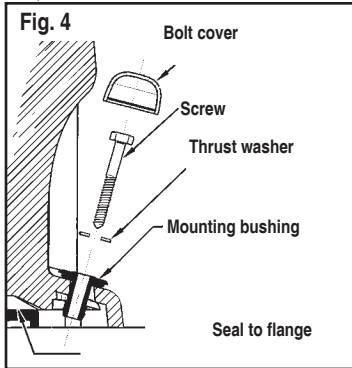
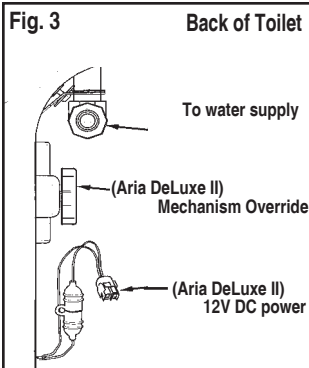
- Set Toilet.
- Trace around Toilet base installed position. Remove Toilet.
- Cut away carpet/padding to expose floor.

### Ceramic Tile:

- Check Closet Flange height to floor surface.
- Drill  $\frac{1}{2}$ " holes through tile only. Measure tile thickness and set locking ring on drill bit to assure that you drill through tile only, not wood sub-flooring (Fig. 2).

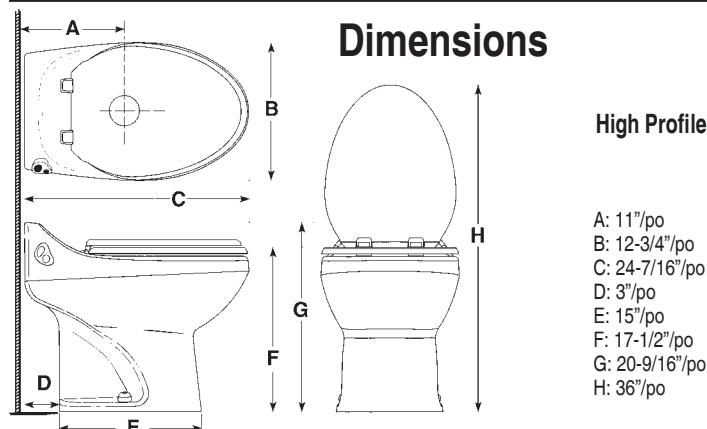


- Using adjustable wrenches, make water line connection to toilet (Fig. 3).
- (Aria Deluxe II only)** Make power connection to Toilet (red to + and black to -) (Fig. 3).
- Properly locate toilet on closet flange (to



**avoid damage, do not drag toilet across floor).** (Do not install screws.) To ensure toilet is centered over closet flange, look down through bowl opening with flush blade mechanism open. Suggestion: Apply silicone caulk (not included) to closet flange before setting toilet.

- With toilet in location, use mounting bushing as a drill guide. Drill pilot holes into floor with  $\frac{3}{16}$ " bit. (See Fig. 4.)
- After making sure floor is clean, mount toilet to floor with  $\frac{1}{4}$ " x 3" hex head Screws. Tighten to approximately 20-23 inch/lbs. torque. **Do not overtighten.**
- Turn on water supply.
- Flush test.
- After toilet passes flush test, flood test: Add water until level reaches 1" below flush nozzle. Leave for 10 minutes. Check for leaks at seal and toilet base.
- Attach Bolt Covers.
- Fill in and mail **Warranty Registration Card.**



**IMPORTANT: Be sure to record the Model number, Part Number and Code of your toilet.**

Record Your Product ID Information Here

Model

- Aria Deluxe II
- Aria Classic

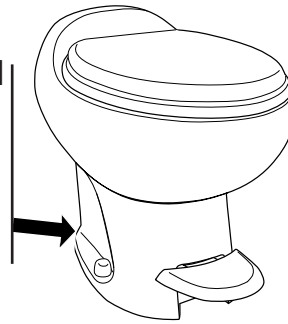
Part No.

\_\_\_\_\_

Code

\_\_\_\_\_

ID Label



NOTE: Removal of Product ID tags can void your warranty.

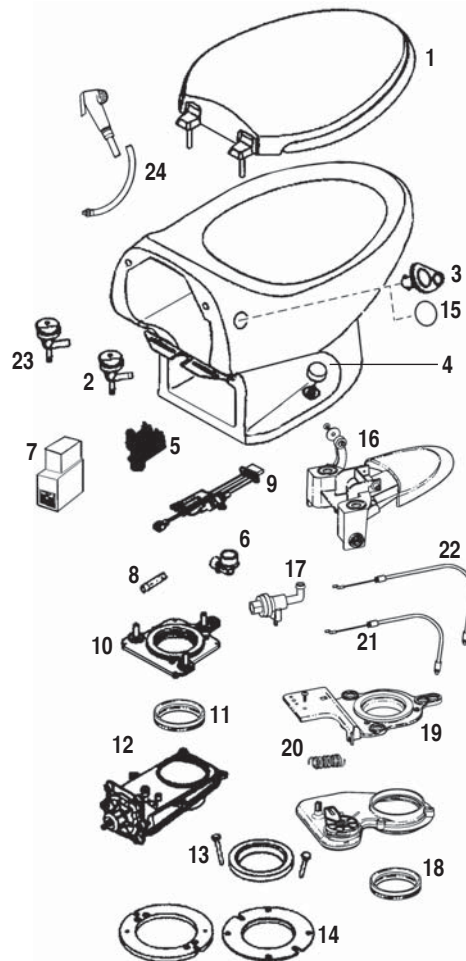
**Parts**

(\*) Specify color: Bone or White

- 1 Seat and Cover Assembly\*
- 2 Vacuum Breaker Replacement Package†
- 3 Key Pad Flush Switch\*
- 4 Bolt Caps Package\*
- 5 Water Solenoid Valve
- 6 Water Connection Fitting
- 7 Controller Assembly Package
- 8 Fuse Replacement (3)
- 9 Wiring Harness
- 10 Mechanism Plate Package
- 11 Blade Seal
- 12 Mechanism Assembly
- 13 Mounting Bolt Package
- 14 Spacer Kit (1 - 3/8" spacer, 2 - 1/8" spacers)

**Aria Classic only:**

- 15 Hole Plug
- 16 Pedal Package
- 17 Water Valve
- 18 Blade Seal
- 19 Mechanism Assembly
- 20 Water Valve Return Spring
- 21 Cable Package (Low)
- 22 Cable Package (High)
- 23 Vacuum Breaker
- 24 Hand Spray Kit



*†In the event of Vacuum Breaker failure the Vacuum Breaker Assembly must be replaced.*