

# SMARTTOTE™ Owner's Manual



## Operation

### To Fill Tank

1. Pull out the sewer hose (Fig. A). If necessary, lift the finger tab to lower the hose.
2. Remove the sewer hose cap.
3. Connect the sewer hose to the RV dump valve.
  - NOTE:** Avoid twisting the sewer hose! The bayonet swivels for easy connectivity.
4. Remove the vent cap on the tank.
5. Open the RV dump valve. Close when the tank is full.
6. Press the level gauge stem down to release hose contents into tank.
7. Remove the hose connection from the RV dump valve.
8. Install the sewer hose cap and store the hose.
9. Install the vent cap.

### To Transport

Use handle to tow SmartTote to dump site.

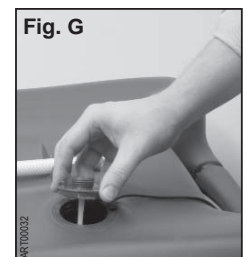
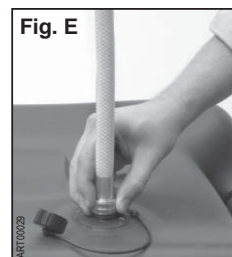
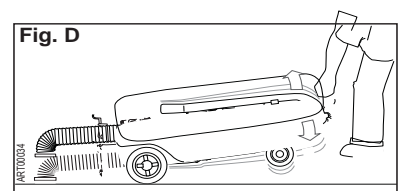
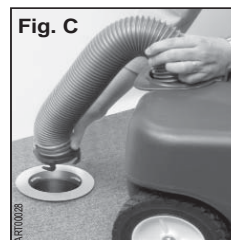
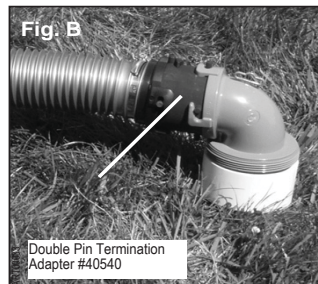
- 2-Wheel model - hand tow. To save heavy lifting, upgrade your 2-wheel model to a 4-wheel model by purchasing the pivoting Tow Handle Kit #40542, and a Double Caster Wheel Kit #40528.
- 4-Wheel LX model - equipped with a pivoting tow handle for hand or vehicle towing. Handle can be used on a ball hitch, but only at normal walking speeds (less than 5 mph, or 8 Km/h).

**Caution:** Towing faster than 5 mph (8 Km/h) can damage tank and/or wheels, and voids product warranty.



### To Empty Tank

1. With the sewer hose cap installed, pull the sewer hose straight out (Fig. A).
2. Remove the sewer hose cap.
3. To prevent spills, leave the hose support in upright/locked position. Extend hose end into dump port, maintaining an arch in hose (Fig. C).
  - NOTE:** The arch is required to prevent premature emptying.
  - If you are using a 90 degree sewer elbow fitting with bayonet, you can purchase a Double Pin Termination Adapter Kit #40540 to couple with the bayonet fitting on the end of the SmartTote sewer hose (Fig. B). Otherwise, insert the sewer hose with bayonet directly into the sewer dump port (Fig. C).
4. Keep the arch in the hose and remove the vent cap.
5. Lift finger tab to release hose support. Lower hose to empty contents of tank.
  - NOTE:** If any liquid remains in the tank, hold the handle and rock the tank up and down a few times (Fig. D).
6. Remove the hose end from the sewer dump port.
7. Install the sewer hose cap and vent cap. Store hose.
  - NOTE:** 12-Gallon SmartTote is filled and emptied through a 3" opening using an owner-supplied sewer hose.



## Maintenance

### Tank Maintenance/Clean-Out

Remove vent cap and connect water hose to threaded water inlet fitting (Fig. E). Connect garden hose to opposite end of water hose. Flush tank out thoroughly.

To control odors in your SmartTote and maintain the life of the product, use Thetford's new Storage Deodorant after every emptying (Fig. F). This new deodorant is specially formulated to control odors in empty tanks for long periods of time, keep seals conditioned, and is compatible with RV Antifreeze.

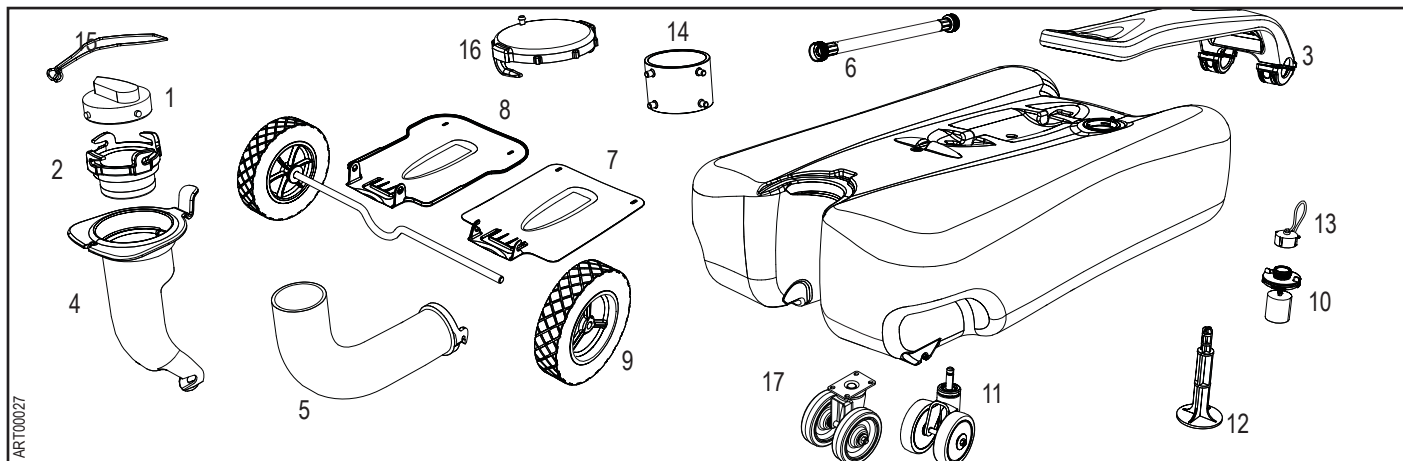
### Level Gauge Maintenance

To clean and maintain level gauge, remove mechanism by turning clockwise (Fig. G). Line up finger tabs with "O" indicators for removal. To re-secure, turn counter-clockwise and line up finger tabs with ^.

### Winterize

Winterize properly with RV antifreeze.

## Parts



No.	Parts	Part No.
1	Permastore Dump Cap Kit	40536
2	Swivel Bayonet Kit	40537
3	Tow Handle Kit	40542
4	Permastore Hose Support Kit	40533
5	5' Sewer Hose with Bayonet Kit	40538
6	Water Hose Kit	40535
7	Skid Plate Kit (pre-2008)	40532
8	Skid Plate Kit (post-2008)	40541
9	Wheel Kit – 6" for 12-Gal. or Wheel Kit – 8" (for 18, 27 and 35 Gal. Totes)	40526 40527
10	Auto Stop Level Gauge Kit	40531
11	Double Caster Wheel Kit	40528
12	Front Support Leg Kit	40534
13	Vent Cap Kit	40530
14	Double Pin Termination Adapter	40540
15	Retainer O Ring	40638
16	Dump Cap for 12 Gallon Tank	40529
17	Plate Caster Double Wheel	40544
16	Dump Cap for 12 Gallon Tank	40529