

THETFORD

Part No.

31711

Parts

Aqua-Magic® V Replacement Pedal Cable

Tools Required

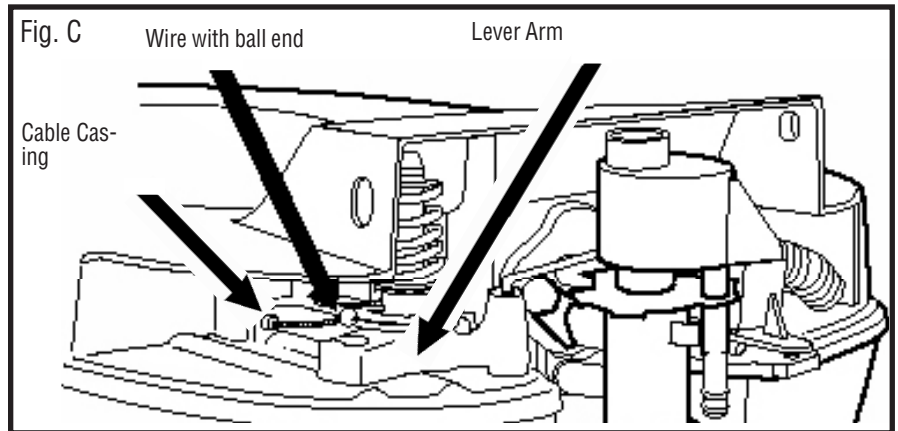
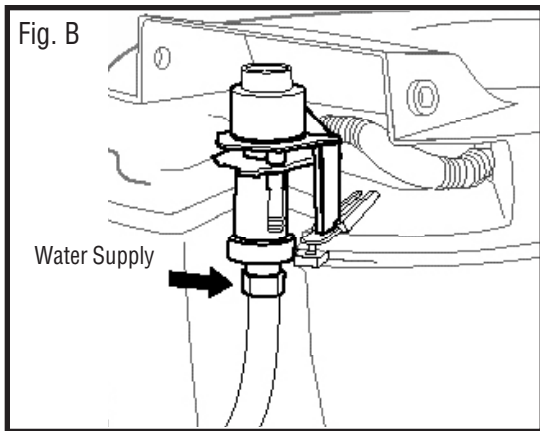
- Phillips Screwdriver
- Flat-Blade Screwdriver
- Needlenose Pliers
- Wire Cutters
- Allen Wrench (included in Wire Collar Package)
- Permanent Ink Marker
- Paper Towels (or shop rag)

Note: We strongly recommend that you:

- Read all instructions completely before starting.
- Reduce holding tank odor: Rinse toilet with at least 1 gallon of water. Drain Holding Tank. Add appropriate dose of Thetford Holding Tank Deodorant.
- Avoid contact with human waste by wearing protective items such as gloves, glasses, long sleeves and nose/face mask. Wash toilet area you will be working on.

To Uninstall Toilet

1. Turn off RV water supply per RV Owner's Manual.
2. Drain water from Toilet by actuating flush.
3. Place towel(s) behind Toilet under water connection to catch water spill when disconnecting.
4. Disconnect water supply line from Water Module (Fig. B). Different vehicle manufacturers route water supply lines differently, so you must determine the best method.
5. Remove Closet Flange Bolt Covers, if present, and Nuts.
6. Lift Toilet off floor and place on trash bag.



7. Cover Holding Tank opening.
8. Remove old Closet Flange Seal. Discard.

Toilet Disassembly

A. If Cable is broken at Pedal:

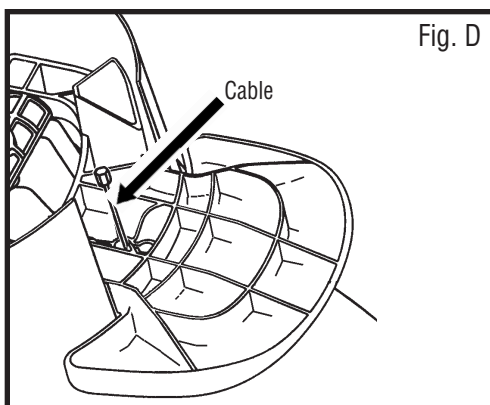
1. Place toilet right side up on a soft surface with back facing you.
2. Using pliers, disconnect cable from Lever Arm by raising it and its ball end out of socket on Lever Arm (Fig. C).
3. Remove cable completely by pulling it out of plastic sheath. Discard. *Go to Replacement section.*

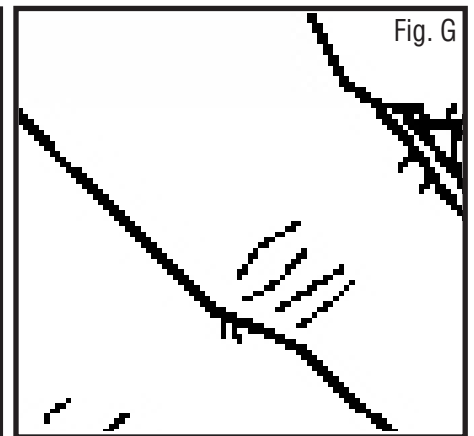
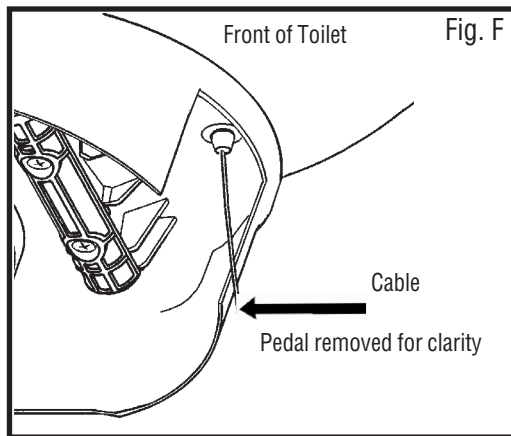
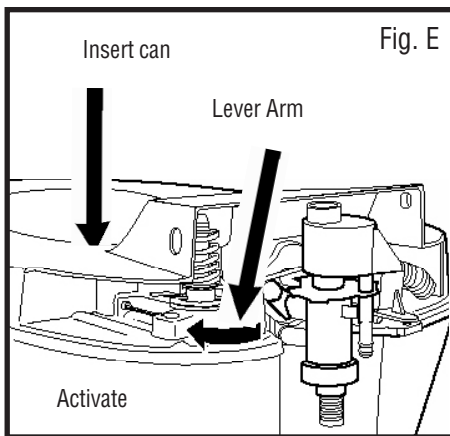
B. If Cable is broken at top connection:

1. Place toilet upside down on a soft surface with pedal facing you.
2. Lift Pedal to expose Cable end.
3. Disconnect cable from Pedal (Fig. D).
4. Remove cable completely by pulling it out of plastic sheath. Discard.
5. Place toilet right side up on a soft surface with back facing you.
6. Using pliers, disconnect cable from Lever Arm by raising it and its ball end out of socket on Lever Arm (Fig. C).

Replacement Wire Installation

1. Remove Cable Assembly from package and uncoil it.
2. Place toilet right side up on a soft surface with back facing you.
3. Feed Cable into cable casing located near Lever Arm (Fig. C). Before inserting final few inches, place toilet over edge of work surface so pedal hangs freely and to allow excess cable to feed through bottom of toilet (Fig. F).





4. Using flat-blade screwdriver, install Cable into Lever Arm by snapping the ball end into the socket of the Lever Arm (Fig. C).
5. Turn Toilet upside down with Pedal facing you.
6. Lift Pedal to install Cable into slot. Release Pedal.
7. Using permanent marker, mark cable as shown (Fig. G). Turn toilet upright with back facing you.
8. Activate Lever Arm (Fig. E) to open Flush Blade and keep it open with soda can. Turn toilet upside down.
9. Using Allen Wrench, install 1 Set Screw into 1 Wire Retainer Collar (Fig. A), loosely enough to allow cable insertion.
10. Slide 1 Retainer Collar over Cable. You may meet initial resistance and need to "thread" Collar on. Extra Collars are provided in case of accident. Align bottom of ink mark with top surface of Collar (Fig. H). Tighten Set Screw with Allen Wrench. Do not overtighten.
11. Remove soda can from flush blade opening, allowing blade to close.
12. Turn toilet upright with pedal hanging over edge of work surface. Test operate several times. If toilet Blade does not open or close fully, recheck alignment mark from Step #7. If necessary, re-adjust Cable Retainer Collar.
13. Cut off excess cable, leaving approximately 1/4" of wire exposed. Note: cut cable ONLY after operation of toilet has been checked and adjustments made.

ENGLISH

Installation

1. Turn Toilet upside down.
2. Install new Closet Flange Seal, lip side up, on Toilet.
3. Uncover Holding Tank opening. Remove water spill towel(s).
4. Replace Toilet on floor, aligning mounting holes with Closet Bolts.
5. Tighten Closet Flange Nuts until Toilet doesn't rock. Do not overtighten. Reinstall Bolt Covers.
6. Reattach water supply line.
7. Turn on RV water supply per RV Owner's Manual.
8. Flush test Toilet, checking for leaks at all connections.

