

Permanent RV Toilet Fresh Water Flush



Aqua-Magic V
Hand or pedal flush



Bravura
Pedal flush



Aqua-Magic Residence
Pedal Flush



Aqua-Magic STYLE II & STYLE PLUS
China Bowl – Pedal Flush

Operation	Hand operation		Pedal operation	
	Aqua-Magic V	Bravura Aqua-Magic STYLE Plus	Aqua-Magic Residence Aqua-Magic STYLE II	
To flush, press all the way				
To add water, press halfway				

Record Your Product ID Information Here

See Parts page for location of Product ID/serial number labels.

Model

NOTE: Removal of Product ID/serial number label can void your warranty.

Trouble Shooting

1. Leaks:

- A. Back of toilet: check water supply line connection at water valve. Resecure or retighten as necessary. If leak persists from water valve, replace.
- B. Vacuum breaker leaks while flushing: replace Vacuum Breaker or water module, depending on model.
- C. Between closet flange and toilet: check flange nuts for tightness. If leak continues, remove toilet and check flange height. Use Thetford spacers to adjust, if necessary, to 7/16" above floor. Replace flange seal.

2. Toilet won't hold water:

- A. Check for and remove any debris from blade/ball seal track.
- B. Check blade/ball seal compression with mechanism. If blade/ball seal is worn, replace.

3. Harder than normal pedal or hand lever operation:

Apply light film of **Thetford Toilet Seal Lubricant & Conditioner** or **silicone** spray to blade/ball. (Note: To avoid damage do not use spray lubricants other than silicone.)

- ### 4. Poor flush:
- Pedals or hand levers must be held fully open during flush. A good flush should be obtained within 2 to 3 seconds. If problem persists, remove the water supply line and check flow rate. The flow rate should be at least ten quarts (9.5 liters) per minute.

Winterizing

Draining Method

Turn off RV's water supply. Drain toilet bowl. Disconnect supply line at water valve. Completely drain the toilet's water supply line.



CAUTION: To avoid damage, when using air pressure to blow water from lines, be sure toilet valve is open.



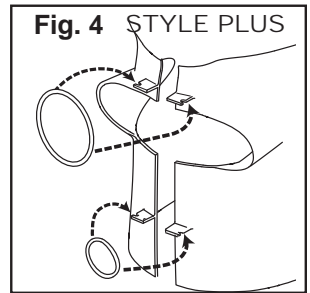
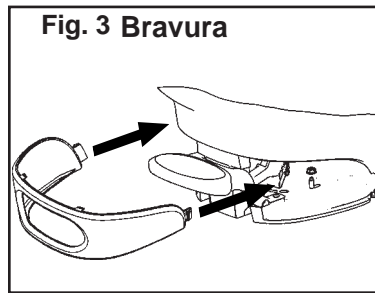
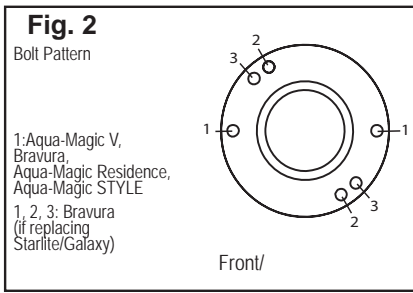
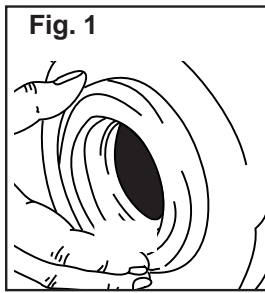
CAUTION: If water is frozen in the toilet, do not attempt to flush until ice thaws.

Antifreeze Method

Use RV(potable) antifreeze only.



CAUTION: Never use automotive type antifreeze.



Installation

Required Tools

- Adjustable wrench
- 1/2" ratchet or box wrench

If carpeted:

- Carpet cutting tool
- Marker or chalk

Plumbing required:

For adequate flush, a 3/8" I. D. water supply line with good flow is required

Procedure

1. Remove old toilet and closet flange seal.
2. Attach new closet flange seal to new toilet, lip side down (Fig. 1).
3. **STYLE Plus and Bravura only:** Remove shroud from base of unit (Figs. 3 & 4).

With mounting bolts in place, position toilet over closet flange (Fig. 2). If not carpeted, go to Step 5.

4. **If carpeted**, trace around toilet, remove toilet and cut away carpet to expose floor. Carpet beneath pedal may also need to be removed.
5. Reset toilet. Using body weight, press toilet to floor.
6. Tighten nuts until toilet is stable. **Do not overtighten.**
7. Connect water line to water valve/ elbow using 1/2" NPT tube fittings.
8. Turn on water and flush. Check for leaks.
9. **Bravura only:** Install Shroud (Fig. 3). **STYLE PLUS only:** Attach shroud to toilet by depressing pedal and placing the pedal opening over the pedal and pushing it firmly against the base. Press the sides of the shroud to the toilet and attach two O-rings on the hooks to secure it. Make sure to engage dual lock under front of shroud by tapping shroud above pedal (Fig. 4).

Removal

Follow the installation directions in reverse order.

Deodorizing

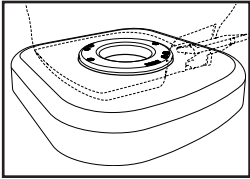
This toilet was designed to be compatible with Thetford brand holding tank deodorants.

Cleaning

Use Thetford Aqua-Clean™ non-abrasive cleaner with a soft-bristle, non-abrasive bowl brush, sponge or soft cloth. DO NOT USE SCOURING POWDERS, ACIDS OR CONCENTRATED CLEANERS, WHICH CAN DAMAGE SURFACES, PLASTIC PARTS AND RUBBER SEALS. FAILURE TO DO SO CAN VOID YOUR WARRANTY.

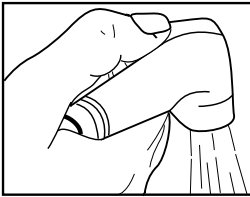


Options



Thetford Toilet Riser

- Increases comfort
- Raises toilet 2.5 inches
- Fits all Aqua-Magics and Bravura



Hand spray

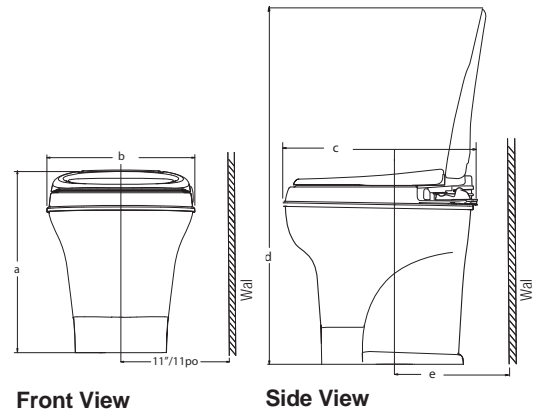
(Option with Bravura, Aqua-Magic V, Aqua-Magic STYLE & Aqua-Magic Residence)

- Easy to attach to existing water valve

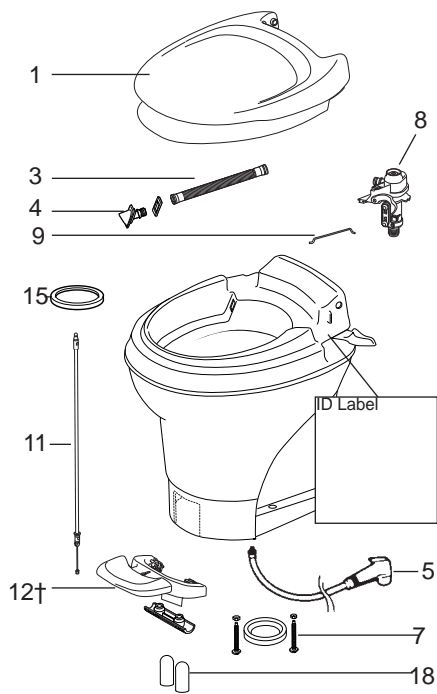
Dimensions

	Profile		
	High	Low	
Aqua-Magic V	a: 18-1/2"/po	14"/po	STYLE PLUS
	b: 15 -1/8"/po	15-1/8"/po	
	c: 17-1/8"/po	17-1/8"/po	
	d: 32-1/4"/po	28-1/8"/po	
	e: 11"/11 po	11"/11 poa:	
Bravura	a: 17-7/8"/po	14"/po	STYLE PLUS
	b: 16-9/16"/po	16-9/16"/po	
	c: 20-3/16"/po	20-3/16"/po	
	d: 34-3/8"/po	30-1/2"/po	
	e: 11"/po	11"/po	
Aqua-Magic Residence	a: 19.5"/po	14.0"/po	STYLE II
	b: 15.3"/po	15.3"/po	
	c: 19.8"/po	19.8"/po	
	d: 34.1"/po	28.6"/po	
	e: 9.5"/ po	9.5"/ po	

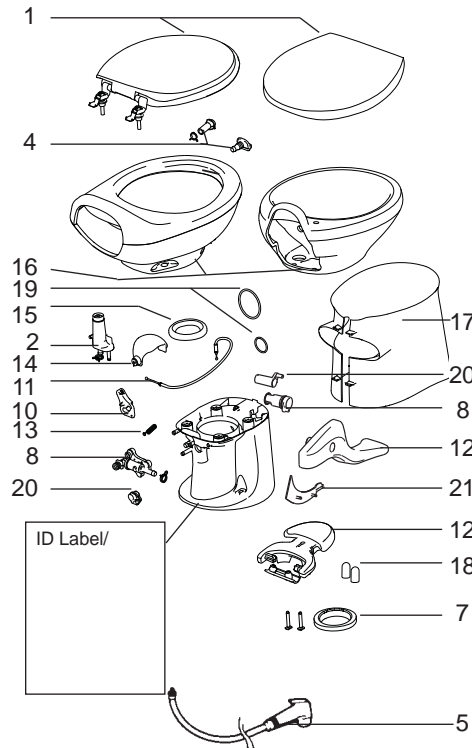
	Profile	
	High	Low
a:	20.04"/po	15.24"/po
b:	16"/po	16"/po
c:	21.1"/po	21.1"/po
d:	34.3"/po	29.5"/po
e:	11"/po	11"/po
a:	19.84"/po	14.37"/po
b:	15.6"/po	15.6"/po
c:	19.76"/po	19.76"/po
d:	34.13"/po	28.62"/po
e:	9-1/2"/po	9-1/2"/po



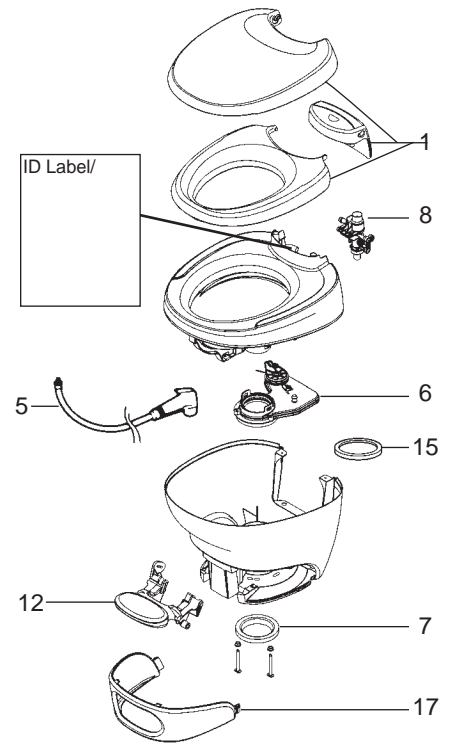
Aqua-Magic V



Aqua-Magic STYLE PLUS Aqua-Magic STYLE II Aqua-Magic Residence



Bravura



Parts

Before ordering parts, record the Product ID information. Specify High or Low.

No. Description

1. Seat and Cover (sold as set only)
2. Vacuum Breaker*
3. Flush Tube
4. Flush Nozzle Assy.
5. Hand Spray Kit (Water Saver Option Only)
6. Mechanism Assembly
7. Closet Flange Seal & Bolt Package
8. Water Module/Water Valve
9. Water Valve Link
10. Water Valve Drive Arm
11. Cable Replacement Pkg.†
12. Pedal Pkg.†
13. Return Spring (Style Plus)
14. Waste Ball
15. Blade Seal
16. Bowl
17. Shroud (specify high or low)
18. Bolt Caps
19. Shroud O-Rings
20. Waste Ball Drive Arm
21. Pedal Cover Insert

† Pedal Flush only

*In the event of Vacuum Breaker failure the Vacuum Breaker Assembly must be replaced.