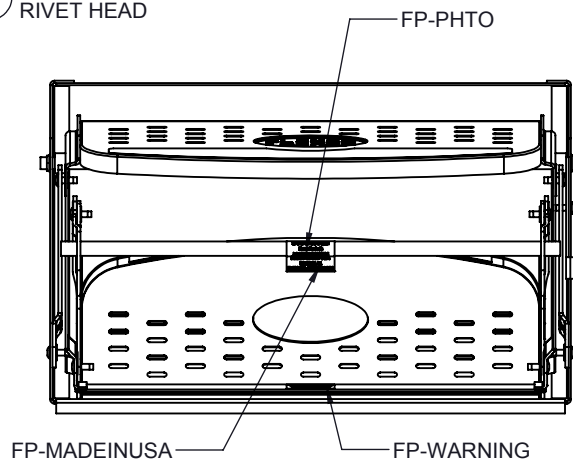
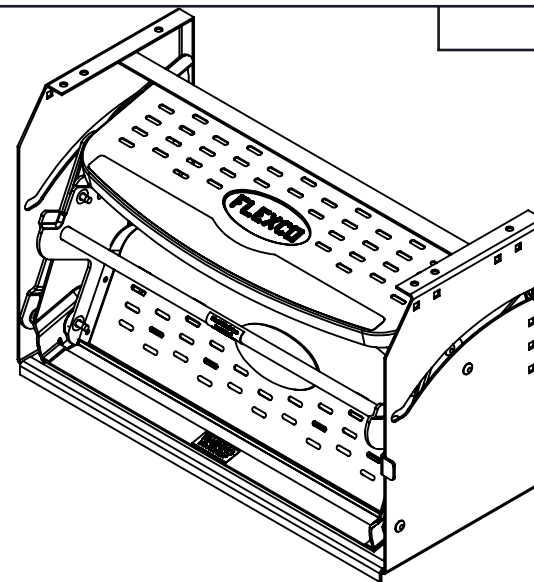
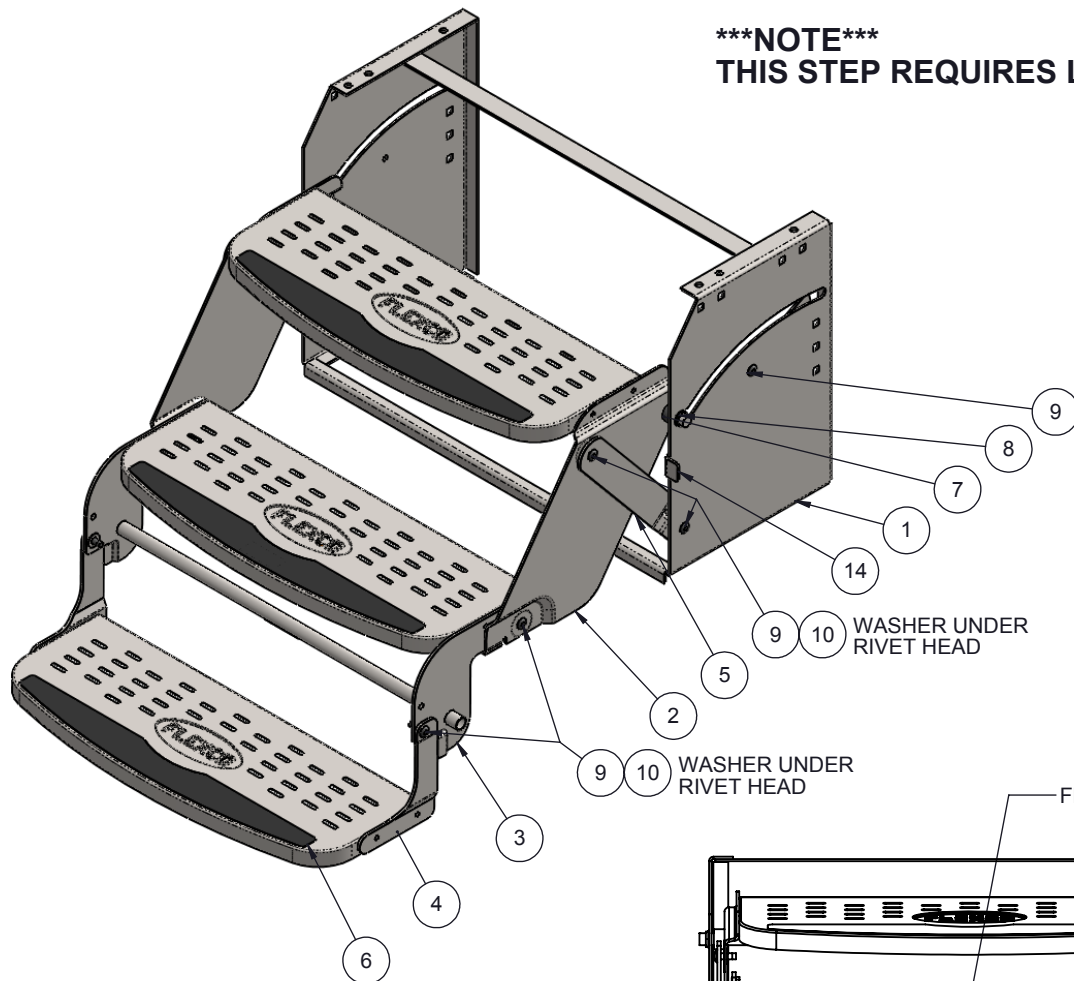


*****NOTE***
THIS STEP REQUIRES LOCKBAR**



BLANK SIZE SHEET 1 OF 2

Material Specs:

APPROVED BY:

Frac ± 1/16" .xx ± .03 .xxx ± .015 Ang ± 2°

DATE:

General Tolerances
Unless Otherwise Specified
Non-Accumulative

All Bends 90°
Unless Noted

Customer: FLEXCO

Chk By: Drg By: RMV

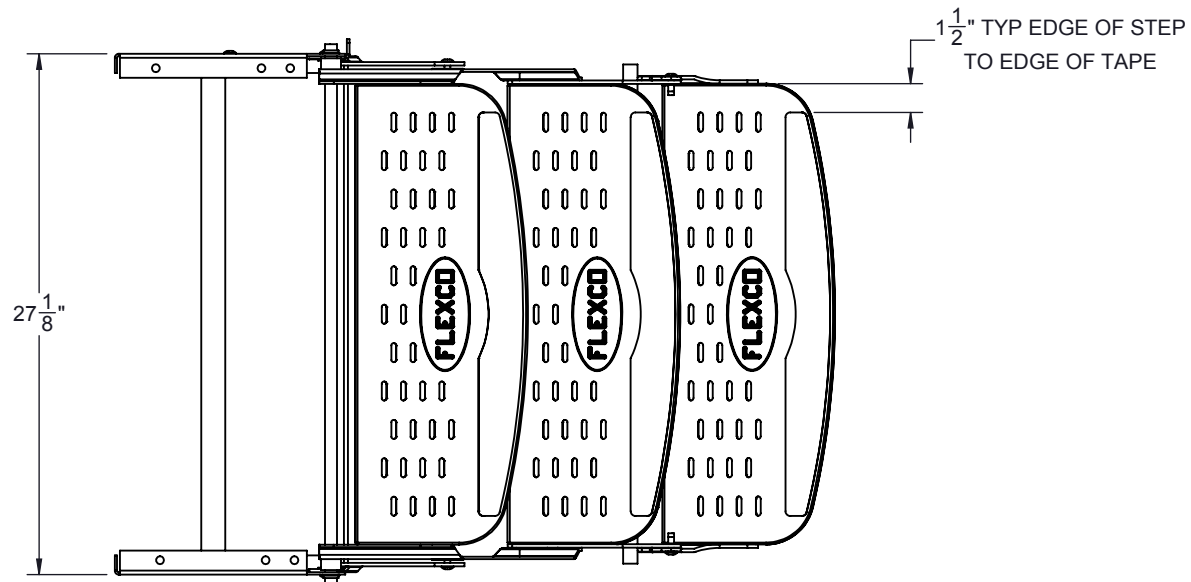
Part Description:
24" TRIPLE 9 [STEP W/ LCK](#)

6/5/2014

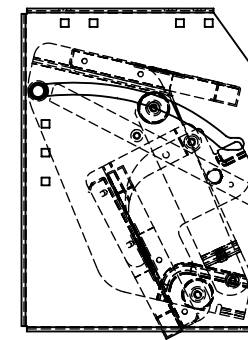
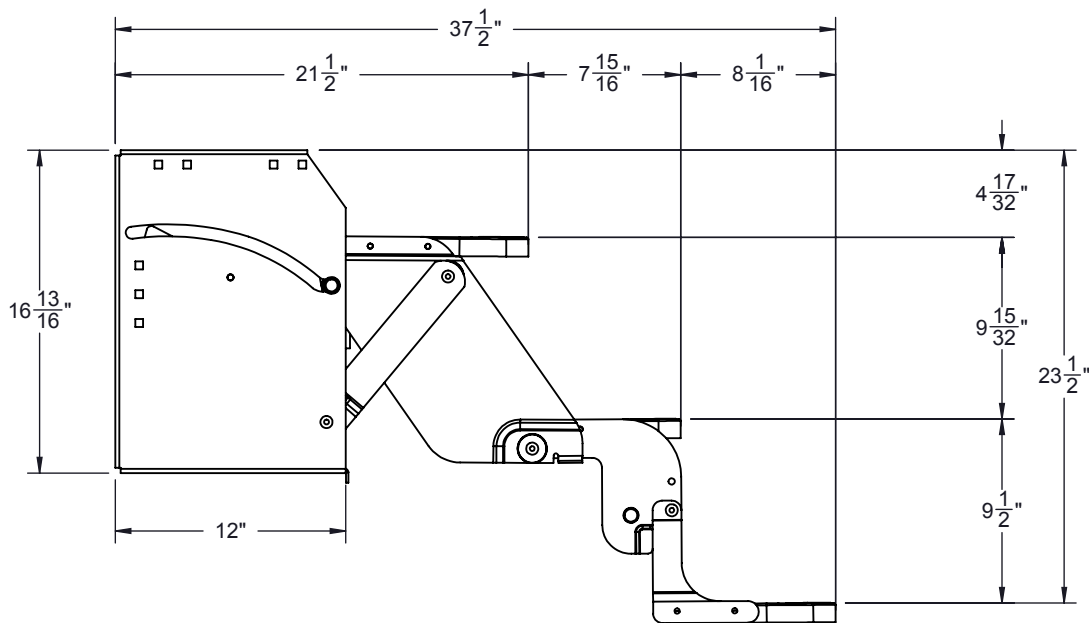
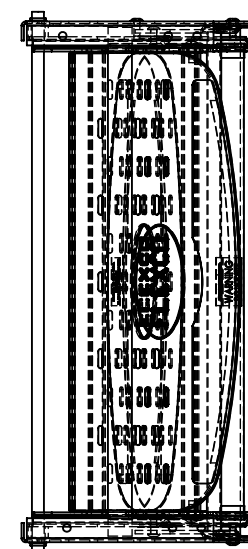
FP-3200L

Rev #	Description	Date	By
1	REPL. RBO65165PB-BLACK RIVETS WITH L78195P, ADDED WASHERS	8/19/2014	RMV
Revisions			

STEPS FULLY OPEN



STEPS FULLY CLOSED



BLANK SIZE SHEET 2 OF 2

Material Specs:

APPROVED BY:

Frac ± 1/16" .xx ± .03 .xxx ± .015 Ang ± 2°

DATE:

General Tolerances
Unless Otherwise Specified
Non-Accumulative

All Bends 90°
Unless Noted

Customer:

FLEXCO

Chk By:

Drg By: RMV

Part Description:

24" TRIPLE 9 STEP W/ LCK

6/5/2014

FP-3200L

Rev #	Description	Date	By
1	REPL. RBO65165PB-BLACK RIVETS WITH L78195P, ADDED WASHERS	8/19/2014	RMV
Revisions			