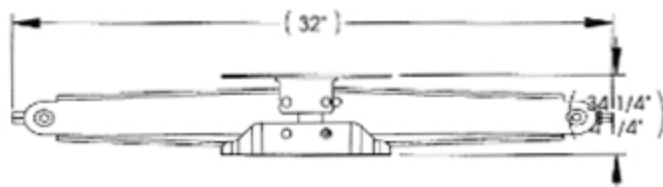
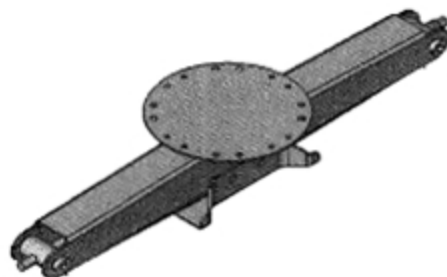
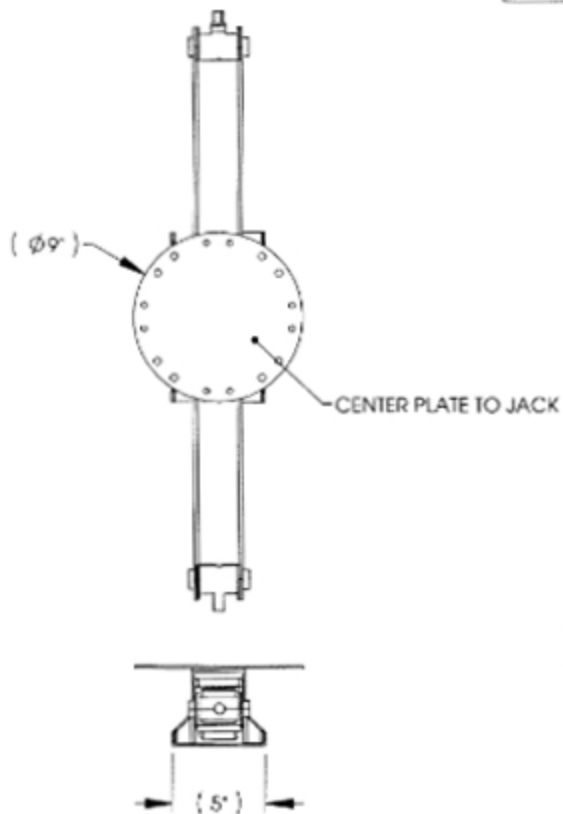


NOTES:

1. FNSH GOOD WEIGHT: 38.921 LBS
2. RATED FOR: 5,000LBS

REV.	DATE	DESCRIPTION	DWR	APVD
E	5/12/2011	ADDED OVERALL DIMENSION	MTH	CG
F	5/19/2011	REMOVED BOTTOM PLATE & CHANGED TO PURCHASED PART	RAW	JR
G	12/22/2011	UPDATED PRINT. ADDED NOTE #2	MTH	BC
H	6/5/2013	32 WAS 26 3/16	RAW	SG



TITLE: 30° STAB SCISSOR JACK WITH ROUND PLATE				
UNLESS OTHERWISE SPECIFIED ALL DIMENSIONS ARE IN INCHES BREAK SHARP EDGES & DEBURR		TOLERANCES (EXCEPT AS NOTED)	THE INFORMATION CONTAINED IN THIS DRAWING IS THE SOLE PROPERTY OF LERRIT COMPONENTS, INC. ANY REPRODUCTION IN PART OR AS A WHOLE WITHOUT THE WRITTEN PERMISSION OF LERRIT COMPONENTS, INC. IS PROHIBITED.	
FILLETS R0.15	FINISH 125/	DECIMAL: X ± .1 XX ± .03 XXX ± .005	DWG. NO. 182149	REV. H
THIRD ANGLE PROJECTION		FRACTIONAL ± 1/16	DATE 05/09/2008	SCALE: 1:8
		ANGULAR ± 1°	DWG. RAW	DATE RAW
		2753 COLLEGE AVE. DODDSDALE, NJ 08039	DRAWN 1	OF 1

