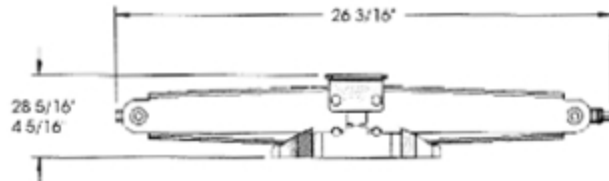
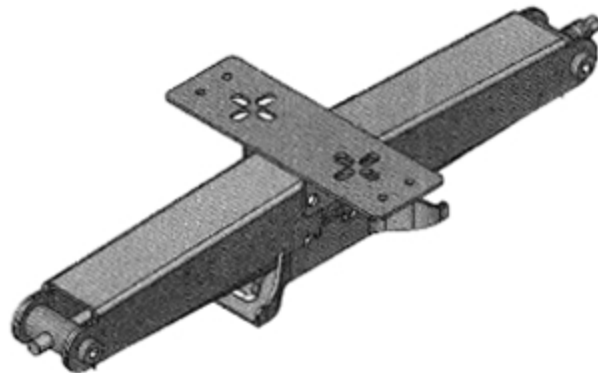
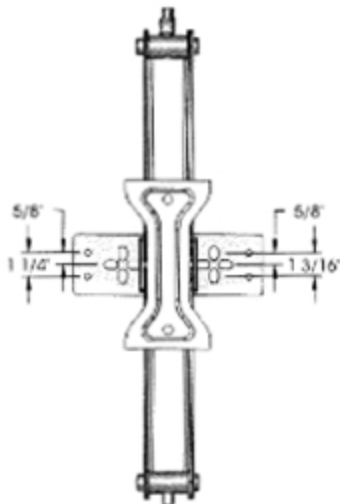
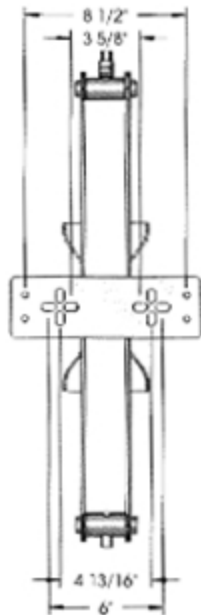




NOTES:

1. CAPACITY: 5000 LBS

REVISION HISTORY					
REV	DATE	DESCRIPTION		DWR	APVD
A	12/20/2005	RELEASE TO PRODUCTION		JMM	-
B	9/28/2009	CHG ROUND BOTTOM PLATE TO BOW TIE		BMW	SJ
C	9/12/2014	ADDED CAPACITY NOTE	ECN-SP-DE-13116	DCR	SG



TITLE: 26.202 X 4.401 (24" JACK)					
UNLESS OTHERWISE SPECIFIED ALL DIMENSIONS ARE IN INCHES BREAK SHARP EDGES & CORNERS		TOLERANCES (EXCEPT AS NOTED)		SPECIFIC COMPONENTS	
FILLET RADIUS	FINISH $\sqrt{125}$	DECIMAL ± 0.1 ± 0.03 ± 0.005	 2750 COLLETT AVE GARDNER, MA 01459	DWG. NO.	REV.
THIRD ANGLE PROJECTION		FRACTIONAL $\pm 1/16$		115780	A
		ANGULAR $\pm 1^\circ$		DWG. JMM	CHKD. JMM
				ISSUED 1	OF 1

