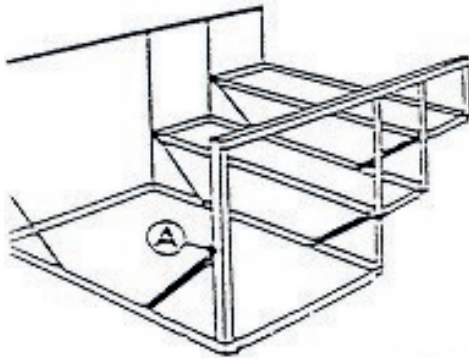
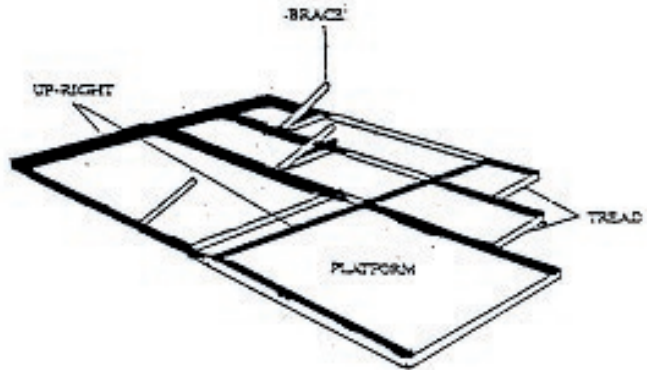




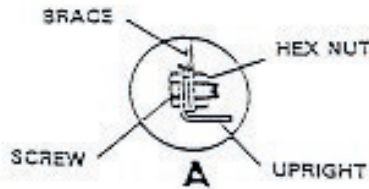
# STROMBERG CARLSON PRODUCTS INC.

Carton Contents: (1) Step Assembly, (1) Handrail (5110-HR),  
(1) Hardware Bag (4020) Containing: (2) 1/4 x 1-1/2 Machine  
Screws (FST-1635), (8) 1/4 x 1/2 Machine Screws (FST-1612),  
(10) 1/4 Hex Nuts (FST-1681) and (1) Instruction sheet (INS-2590)

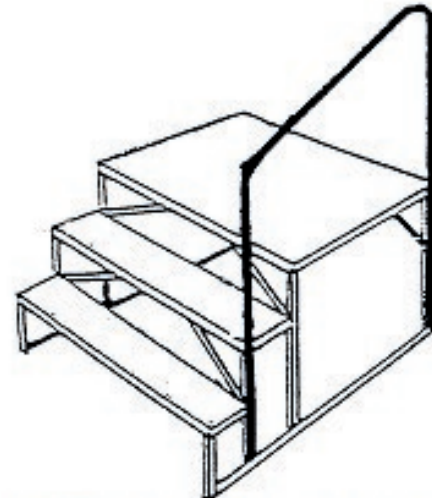
1. Remove step assembly from carton and lay it flat on the ground.



2. Fold legs open and secure braces to treads with 1/4 x 1/2 machine screw and 1/4 hex nut as shown in figure A. Repeat this operation for all braces.



3. Turn step right side up and attach the handrail to the right or left side of the step with (2) 1/4 x 1-1/2 machine screws and (2) 1/4 hex nuts,



**WE RECOMEND CHECKING THE BOLTS AND NUTS OFTEN FOR THERE INTEGRITY.**