

Lend-A-Hand Extended Assist Rail

MODEL # AM-533

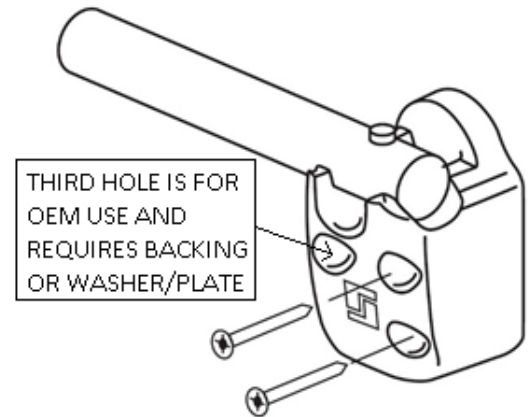
WARNING: This rail will help you maintain your balance. It is not designed to break your fall, but instead prevent it. Please always maintain contact with this rail when entering and leaving your RV.

INSTALLATION INSTRUCTIONS

Your Lend-A-Hand Extended Assist Rail has been shipped to you pre-assembled. Please pivot the hardware on the rail prior to installation, to guarantee the integrity of the assembly. This assembly will only support you in accordance to how it is attached to your unit.

For left hand mounting, 2 holes are offset towards your door to help you attach your rail to a stud. Please note, if you are replacing an existing Lend-A-Hand Standard Assist Rail, the bolt hole pattern of the 2 right side holes on your new rail are designed to match the existing hole pattern for your original rail. The third hole (pictured on the top left corner of the bracket – above) is for your trailer manufacturer use (OEM) and is provided to add stabilization for your rail, but is not required for aftermarket installation. If no stud is available at mounting hole locations, you may have to drill through the wall of your coach and back long bolts (flat head or oval head $\frac{1}{4}$ "-20, not provided) with extra-large washers or a plate to distribute load.

1. Determine if you are attaching your rail to the door stud, or if you will need to back this installation with washers or a plate.
2. Hold rail at the desired height on your unit. Mark the screw openings and drill $\frac{1}{8}$ " pilot holes. You may want to put a dab of caulk in each hole before driving screws into coach.
3. Drive screws into coach, attaching rail and hardware. There is no reason to caulk around the plastic hardware of your rail assembly.



CARTON CONTENTS: Retail boxes contain (1) Lend-A-Hand Extended Assist Rail assembly and (6) #14 x 2" screws (screw packet part number for reordering – Model 1097).

NOTE: Bolt hole locations for the AM-533 and the Standard Lend-A-Hand are designed to align with one another.