



**COMMERCIAL RAILINGS**

**AC-300**



**AC-530**



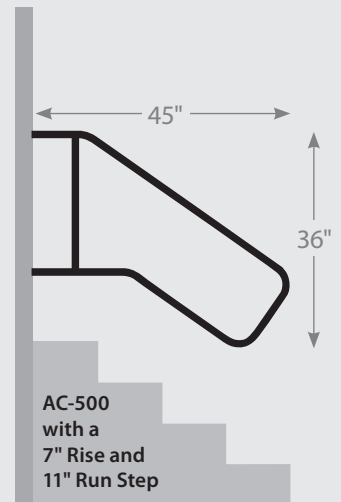
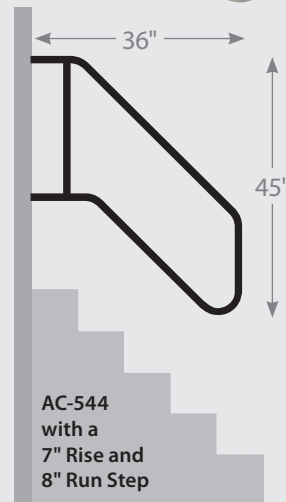
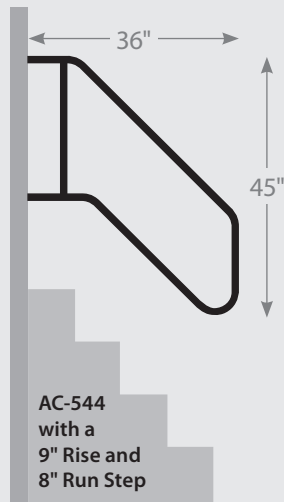
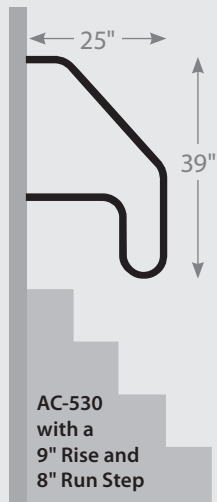
**AC-544**



**AC-500**



- Solid aluminum blocks
- 1" round stainless steel tube
- Oversized nut locks railing in position
- Railing can swing in either direction





**STROMBERG CARLSON  
PRODUCTS INC.**

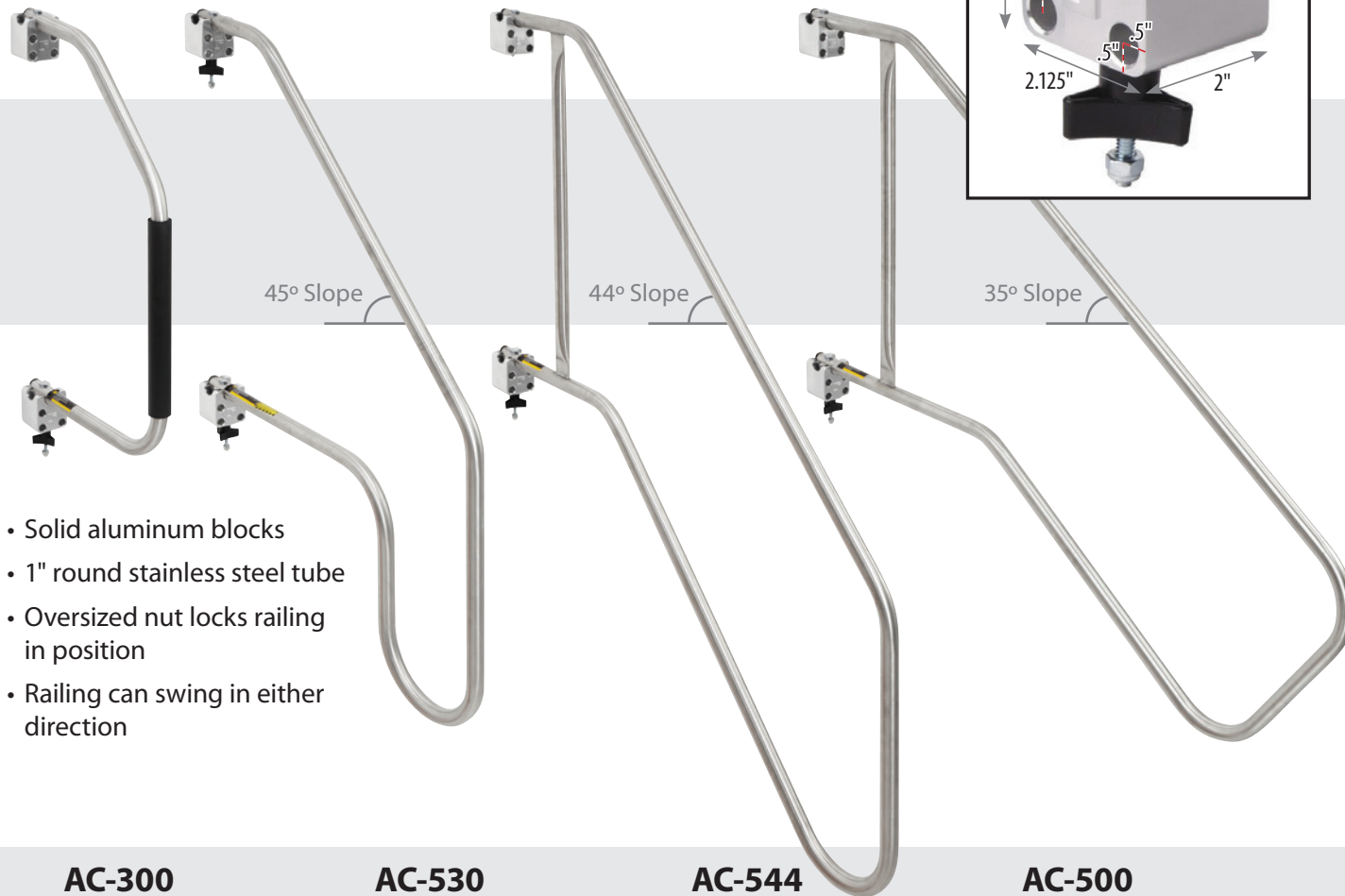
**COMMERCIAL RAILINGS**

**AC-300**

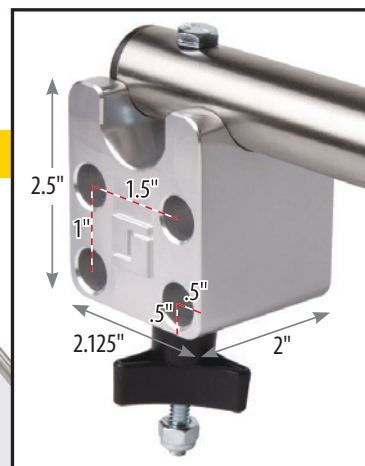
**AC-530**

**AC-544**

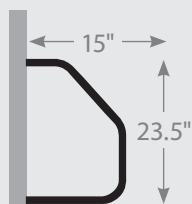
**AC-500**



- Solid aluminum blocks
- 1" round stainless steel tube
- Oversized nut locks railing in position
- Railing can swing in either direction

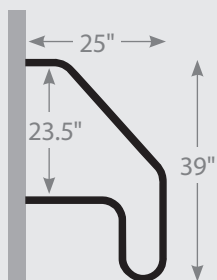


**AC-300**



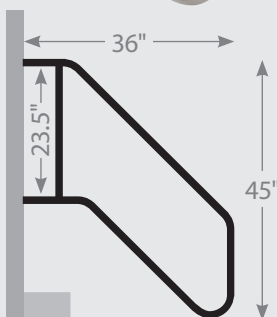
AC-300  
with a  
9" Rise and  
8" Run Step

**AC-530**



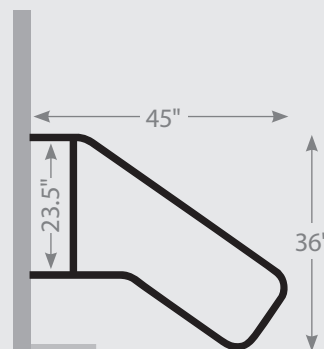
AC-530  
with a  
9" Rise and  
8" Run Step

**AC-544**



AC-544  
with a  
9" Rise and  
8" Run Step

**AC-500**



AC-500  
with a  
7" Rise and  
11" Run Step