

Starfrit



SINGLE-SERVE COFFEE MAKER

INSTRUCTIONS FOR USE AND CARE

OPERATING AND SAFETY INSTRUCTIONS

Item no.	Voltage (V)	Wattage (W)	Frequency (Hz)
024002	120	600	60

IMPORTANT SAFEGUARDS

READ THE INSTRUCTIONS BEFORE USE

WARNING: To reduce the risk of fire, electrical shock, serious personal injury and/or property damage.

- A. Do not touch hot surfaces. Always use the handle when it is in use. Use protective oven mitts or gloves to avoid burns or serious personal injury.
- B. To protect against electric shock, do not immerse the power cord, plug or product in water or expose to other liquids.
- C. Keep the product out of the reach of children and pets. This product is not intended for use by children. Close adult supervision is necessary when any appliance is used near children.
- D. Unplug appliance from electrical outlet before cleaning and when not in use. Allow to cool down completely before assembling, disassembling, relocating, or cleaning the appliance.
- E. Do not operate the product if it has a damaged power cord or plug, or after the appliance malfunctions or has been damaged in any manner. Do not attempt to examine or repair this product yourself. Please call the customer service number provided in this user manual.
- F. Do not leave the product unattended while it is in use. Always unplug the product from the electrical outlet when not in use.
- G. To disconnect, wait for the appliance to turn off automatically and unplug the appliance from the wall unit. In case of emergency, remove plug from the wall outlet. Pull directly on the plug - do not pull on the power cord.
- H. Take proper precautions to prevent burns, fire, or personal or property damage as this appliance generates heat and steam during use.
- I. Do not plug or unplug the product into/from the electrical outlet with a wet hand.
- J. Use the product in a well-ventilated area.
- K. Keep the product away from curtains, clothing, dishtowels, or other flammable materials.
- L. Do not use attachments not recommended or sold by the product manufacturer.
- M. This product is intended for indoor, non-commercial use in cooking or heating food items for human consumption. Do not use outdoors or for any other purpose.
- N. Do not allow the power cord to hang (e.g., over the edge of a table or counter) or touch hot

surfaces.

- O. Do not place the product on or near a hot gas or electric burner, or in a heated oven or microwave oven.
- P. Always place the product on a flat, level, stable surface – it is not recommended to use the appliance on temperature sensitive surfaces.
- Q. Connect the power plug to an easily accessible outlet so that the appliance can be unplugged immediately in the event of an emergency.
- R. Do not use appliance for anything other than its intended use.

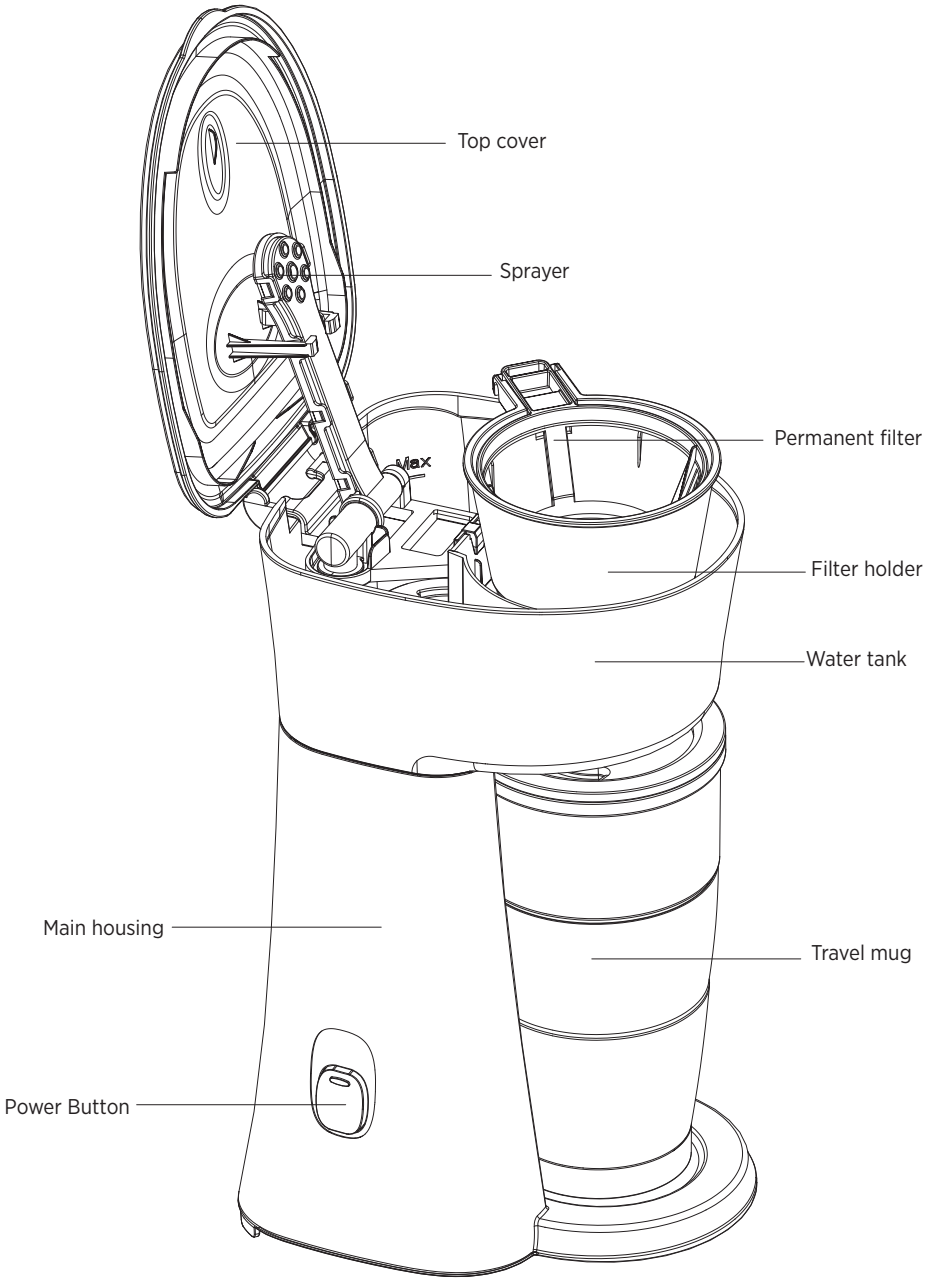
SAVE THESE INSTRUCTIONS FOR FUTURE REFERENCE

POLARIZED PLUG: This appliance is equipped with a polarized plug (one blade is wider than the other). As a safety feature to reduce the risk of electrical shock, this plug is intended to fit in a polarized outlet only one way. If the plug does not fit fully in the outlet, reverse the plug. If it still does not fit, contact a qualified electrician. Do not attempt to defeat this feature or modify the plug in any way. If the plug fits loosely into the AC outlet or if the AC outlet feels warm, do not use that outlet.

SPECIAL INSTRUCTIONS: A short power supply cord is provided to reduce the risk of becoming entangled in or tripping over a longer cord.

AN EXTENSION CORD MAY BE USED IF CARE IS EXERCISED IN THEIR USE:

- Minimize the risk of overheating by using the shortest UL or ETL listed cord possible.
- The marked electrical rating must be at least as great as that of the product.
- Never use a single extension cord to operate more than one appliance.
- Arrange the longer cord so that it will not drape over a countertop or tabletop where it can be tripped over, snagged, or pulled on unintentionally (especially by children).
- DO NOT alter the plug. DO NOT attempt to defeat the safety purpose of the polarized plug.



BEFORE FIRST USE

READ THE INSTRUCTIONS BEFORE USE

NOTE: Remove all parts & accessories and dispose of packaging. Check that all accessories are complete and the unit is not damaged. Add water into water tank to the max level and brew water for several times without coffee powder, then discard the water. Clean all detachable parts thoroughly with warm water.

HOW TO MAKE COFFEE

- A. Open the top lid and fill the water tank with drinking water. The water level should not exceed the “Max” level as indicated in the water tank. **(Fig. 1)**
- B. Place the permanent filter and funnel in the funnel support, make sure it is assembled correctly, otherwise the cover will not close properly. **(Fig. 2)**
- C. Add coffee grounds into permanent filter. Usually 1 level tablespoon of medium coffee grounds requires 1 cup of water for each cup of brewed coffee. However, you can adjust according to personal taste.
- D. Insert a conventional coffee mug or the travel mug under the water tank horizontally.
- E. Plug the power cord into the outlet.
- F. Press the switch, the indicator will light up in red and the appliance will start working.
- G. After brewing is complete, the indicator light will extinguish indicating your coffee maker is turned off.
- H. Remove mug to serve or drink when brewing is complete (about one minute after the coffee stops dripping out.) **NOTE:** The volume of coffee you get will be less than the water you have added, as some water is absorbed by the coffee grounds.
- I. Always turn the coffee maker off and disconnect the power supply when not in use. **NOTE:** Pay close attention when serving or drinking coffee. Once the brewing is over, the coffee's temperature will be very high.



CLEANING AND MAINTENANCE

CAUTION: Be sure to unplug this appliance before cleaning. To protect against electrical shock, do not immerse cord, plug or unit in water or any other liquid. After each use, always make sure plug is first removed from wall outlet.

1. Clean all detachable parts after each use in hot soapy water.
2. Wipe the exterior surface of unit with a soft, damp cloth to remove stains.
3. Water droplets may buildup in the above area of the funnel and drip onto the product base during brewing. To control the dripping, wipe off the area with a clean, dry cloth after each use.
4. Use a damp cloth to gently wipe the mug rest and travel mug. Never use an abrasive cleaner.
5. Assemble all parts and put aside for next use.

CLEANING WITH VINEGAR

Mineral deposits left by hard water can clog your coffeemaker. Cleaning is recommended once a month. Excessive steaming or a prolonged brewing cycle is a sign that a cleaning is needed.

1. Fill the water tank to about 1/3 full with white vinegar and then to the “Max” line with cold water.
2. Place the travel mug on the mug rest.
3. Press the Power Button switch and let the cleaning solution brew through until the unit shuts off automatically. Discard the solution.
4. Repeat the process using a new solution; do not reuse the first solution.
5. Use the mug to fill the reservoir with cold water and brew the plain water through to flush out any remaining solution. You may have to repeat the plain water cycle to remove any remaining vinegar taste
6. Wash and dry the permanent filter, filter holder and lid and mug as instructed in CLEANING AND MAINTENANCE.

HINTS FOR GREAT TASTING COFFEE

1. Make sure to clean the coffee maker as specified in the “CLEANING AND MAINTENANCE” section. Always use fresh, cold water in the coffee maker.
2. Store unused ground coffee in a cool, dry place. After opening a package of ground coffee, reseal it tightly and store it in the refrigerator to maintain its freshness.
3. For a better tasting coffee, buy whole coffee beans and finely grind them at home before brewing.
4. Do not re-use coffee grounds, this will greatly hinder the coffee’s flavor. Reheating coffee is not recommended as coffee is best consumed immediately after brewing.
5. Clean the coffee maker when over-extraction causes oiliness. Small oil droplets on the surface of brewed, black coffee are due to the extraction of oil from the coffee grounds.
6. Oiliness may occur more frequently if heavily roasted coffees are used.
7. Coffee that is poured during brewing cycle may vary in strength from the finished brew.
8. For a special occasion, whip some heavy cream with 1 or 2 tablespoons of hazelnut, chocolate or almond liqueur. Use to top off each cup of coffee.
9. Keep your coffee maker scrupulously clean; you will be pleased with the flavor.