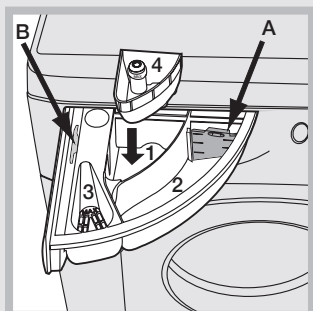


Using your new Splendide combo is easy!

WDC7200XCD / WDV2200XCD

Laundry Aid Dispenser



Chamber 1:
Prewash detergent* (powder ONLY)

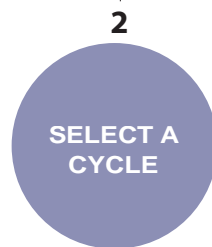
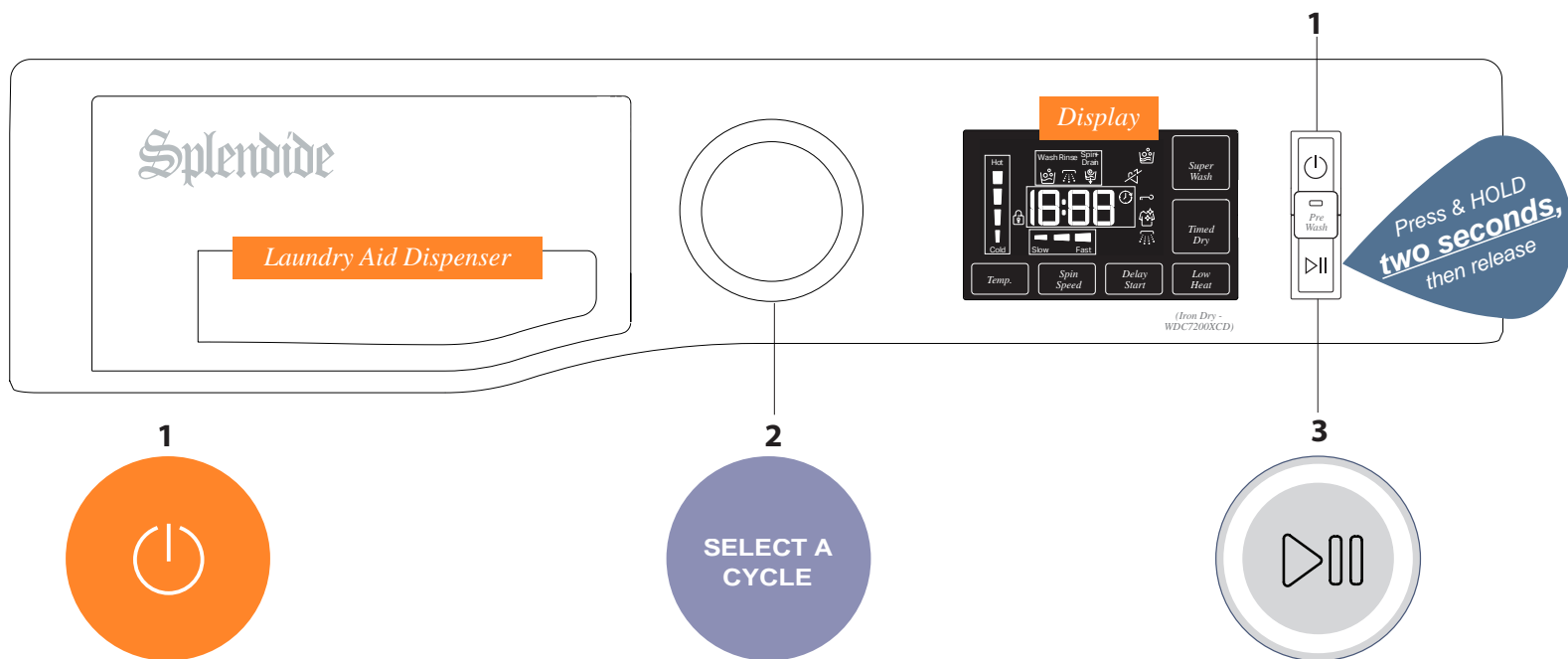
Chamber 2:
Powder or liquid HE detergent* (Move plastic partition to **slot A** when using liquid or store in **slot B** when using powder.)

Chamber 3:
1-2 Tbsp. fabric softener

Extra Chamber 4:
Bleach

IMPORTANT!

*Use only High Efficiency (HE) detergent in the correct dosage for your machine (1-2 TBSP of powder detergent (or liquid equiv.) per load.



Press ON.
The symbols on the display will light.

Load the drum. Be sure the laundry has been sorted by fabric color/type and all pockets are empty. When drying, do not overload the drum.




Load the dispenser (See left).

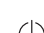
Select a wash or dry cycle. The optimal spin and temperature settings for that cycle will be shown on the display.

Select a dry time. Press the **Timed Dry** button until the desired time is shown on the display. (WDC7200XCD ONLY - **Iron Dry** will stop automatically when clothes are still damp).

Use buttons to customize the cycle. Any spin and temperature settings you modify will be saved and preselected the next time the wash cycle is used.

Press and HOLD the START button for 2 seconds, then release it. A BEEP will indicate the cycle is accepted. **NOTE:** Your washer uses state-of-the-art safety and performance technologies. **Water will enter the drum AFTER certain load criteria have been measured and met (up to 2 minutes).**

 **To pause the cycle** tap the **START/PAUSE** button once. To unpause, press and hold **2 seconds**, then release.

 **To cancel the cycle** Press and hold the **ON/OFF** button. The cycle will stop, any water will drain, and the machine will shut off.

RV/MARINE WINTERIZATION

RV/Marine Winterization Instructions

If you're currently pumping antifreeze through your fresh water system, you can follow these steps to winterize your washing machine:

1. With machine power **OFF**, advance **cycle selector knob** to '**Lightly Soiled**';
2. Press the **Power** button once.
3. Use the Temp button to select '**HOT**'.
4. **Crack the Dispenser Drawer open** enough to confirm when antifreeze enters the drawer (approx. 1");
5. Press and hold the **START button for 2 seconds, then release**. The machine will enter a short fill, then pause. Next, it will enter a longer fill, then pause again. At this point, if you've seen antifreeze enter the Dispenser, move on to Step 6. If not, press and HOLD the **Power** button once to turn power **OFF**, then repeat Steps 2 through 5;
6. **During the pause after the SECOND fill**, press and hold the **Power** button to turn power **OFF**. The machine will automatically drain the antifreeze from the drum and then turn **OFF. FINISHED.**


To Winterize Your Washer

To Use Your Washer Again,

1. With washing machine power **OFF**, pour bleach into both **compartment '3'** AND the **extra bleach compartment '4'** of the Dispenser Drawer, filling both to their respective max. fill levels. Do not use thickened or splashless bleach as excess suds may occur;
2. Advance the cycle selector knob to the Clean Washer cycle;
3. Press the **Power** button, then press and hold the **START button for 2 seconds, then release**;
4. Allow machine to run through the complete cycle to clean out any remaining antifreeze. **FINISHED.**

To De-Winterize Your Washer

Clean Washer Cycle

- Prior to using your washer for the first time, we recommend running an EMPTY  'Clean Washer' cycle.
- Use **ONLY regular liquid chlorine bleach** (not splashless, because it contains detergent). Fill both chambers '3' and '4' to max. levels.
- **IMPORTANT: NEVER USE DETERGENT IN THIS CYCLE. USING DETERGENT IN THE CLEAN WASHER CYCLE WILL DAMAGE YOUR MACHINE**

Special Drying Tips

- **For mixed loads**, remove items that tend to wrinkle while still damp (dress shirts, etc.) Hang them. Then, continue drying the rest of the load (underwear, towels, etc.)
- **After washing**, shake out LARGE ITEMS (pants, sheets, etc.) Loosely fold them, and place them back in the drum. Then, start a Dry cycle.
- Keep the **door closed** during the dry cycle.
- Use a **LOW SUDSING (HE)** detergent,
- Use **LIQUID FABRIC SOFTENER*** or a detergent with built-in softeners,
- **DO NOT OVERLOAD** the drum,
- **DO NOT OVER DRY** your laundry. Moisture is what makes fabrics soft and fluffy.
- **IMPORTANT: USE ONLY 1-2 TBSP OF A LIQUID FABRIC SOFTENER PER LOAD. NEVER USE FABRIC SOFTENER SHEETS!**

More Combo Tips

- **Don't let the laundry pile up.** Do a small load every day or two.
- Your combo is **front-loading and operates on 120V**, so cycle times may be longer than what you're used to.
- Your combo is an extremely efficient washer. You may not see water in the drum. **This is NORMAL.**
- So laundry falls easily from the drum after spin, **always use liquid fabric softener** (or a detergent with built-in softeners) for WASH-TO-DRY LOADS.

What if my combo dryer is VENTLESS?

Your **WDC7200XCD** uses 2.5 gal. of water per hour to DRY. When the dry cycle ends, they may still feel slightly damp. **THIS IS NORMAL.** Simply shake items out and any steam will dissipate (a few seconds).

Where is the dryer lint filter?

Your Splendide is gentle on fabrics. Since it generates very little lint, there's no dryer filter to clean. **However, for vented (WDV2200XCD) combos**, please go outside periodically to check the dryer vent for proper airflow and to remove any lint you see.

Splendide
Laundry Centers