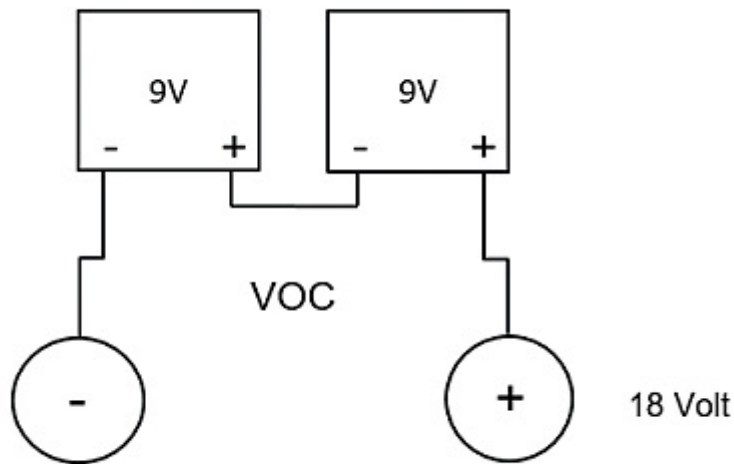


Series Connection

For more VOLTAGE connect multiple panels in SERIES (positive to negative).

- Voltage is added $9V + 9V$ now at $18V$
- Current remains the same, as high as the lowest panel.



Parallel Connection

For more CURRENT connect multiple panels in PARALLEL (positive to positive / negative to negative).

- Current is added $100mA + 100mA$ now at $200mA$.
- Voltage remains the same $9V$

