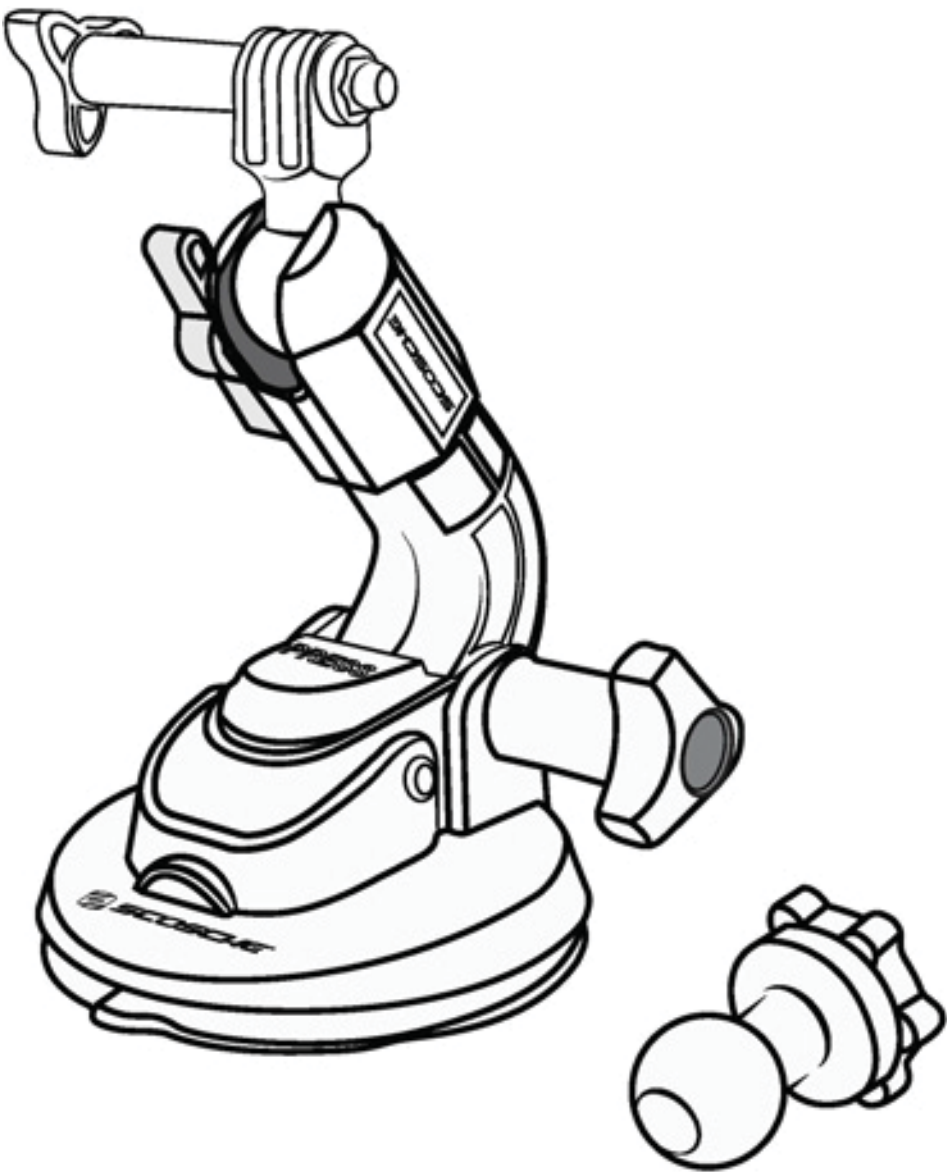




**SCOSCHE®**

**PSM11021**

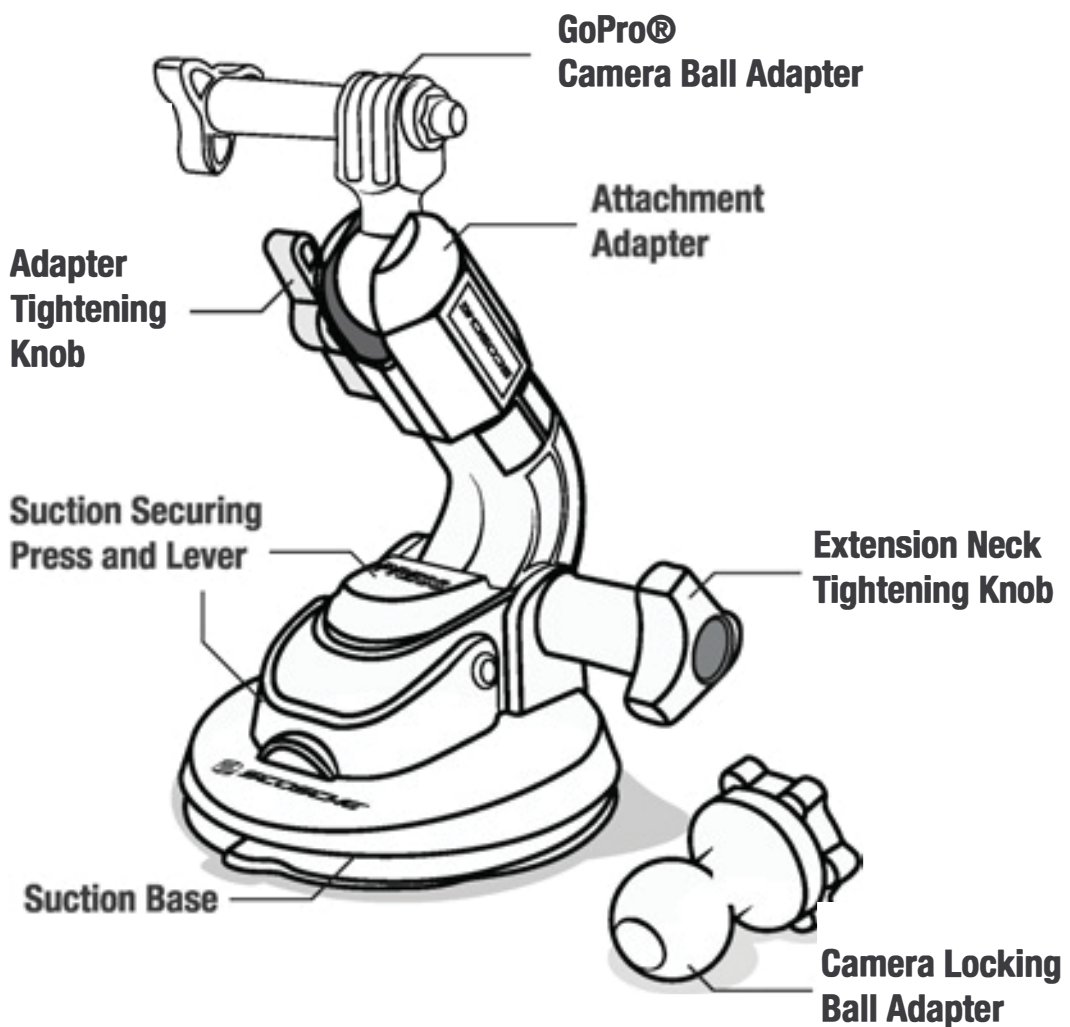
# **ACTION CAMERA SUCTION CUP MOUNT**



# CONTENT

## PARTS INCLUDED

1. (1) GoPro® Camera Ball Adapter
2. (1) Camera Locking Ball Adapter
3. (1) Ball Joint Attachment Adapter w/ Tightening Knob & Washer
4. (1) Press Lever Securing Suction Base
5. (1) Extension Neck w/ Tightening Knob



# DEVICE SETUP GUIDE

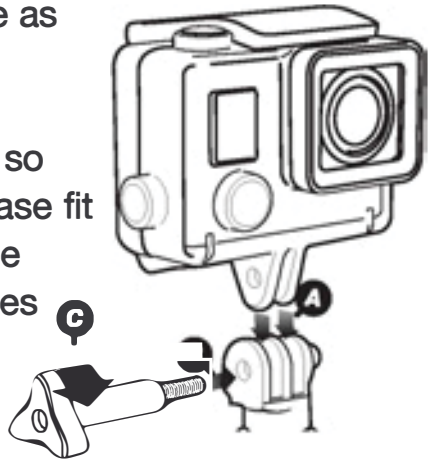
## MOUNTING ADAPTER for GoPro®

Requires GoPro® camera with waterproof case  
(Not included).

1. Attach ball adapter to the mounting base as show below.

2. Place the camera case onto the adapter so that the two mounting brackets on the case fit between the (3) mounting brackets on the adapter as shown (A). Make sure the holes on both sets of brackets are aligned.

3. Insert the threaded end of the clamping arm into the bracket holes (B), and thread into the threaded nut at the opposite end and tighten until snug (C). Loosen the arm to adjust the angle of the camera.



## 1/4" THREADED MOUNTING ADAPTER

for devices with a 1/4" threaded mount

1. Attach the ball adapter to the mounting base as shown below.

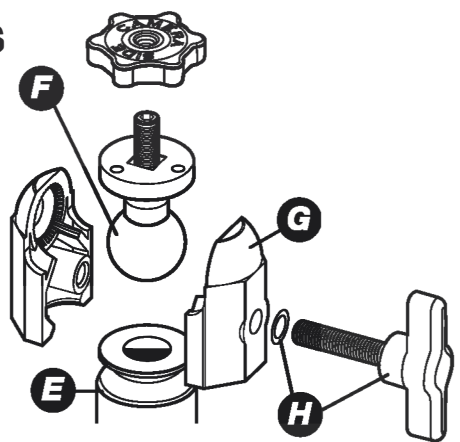
2. Screw the 1/4" threaded mounting adapter directly into the 1/4" mounting hole on device.

## SECURING CAMERA BALL ADAPTERS

for devices with a 1/4" threaded mount

1. Align the extension (E) and the ball adapter (F) to the mounting adapters (G).

2. Set the adapter's tightening knob through the washer, and screw tighten the adapters into place (hand tighten only, H).



## BALL ADAPTER EXAMPLES

Camera  
Ball Adapter



GoPro®  
Ball Adapter

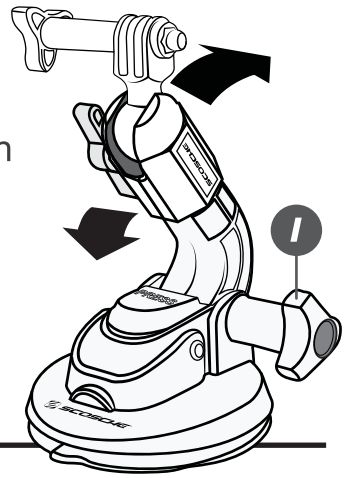


# ADJUSTING EXTENSION NECK

## ADJUSTING EXTENSION NECK

Adjusting the tilt angle of the neck.

1. Turn the lower knob to loosen the extension neck (I). Once loose, position the extension to your preferred position.
2. Tighten the lower knob (I) to secure the desired location into place.



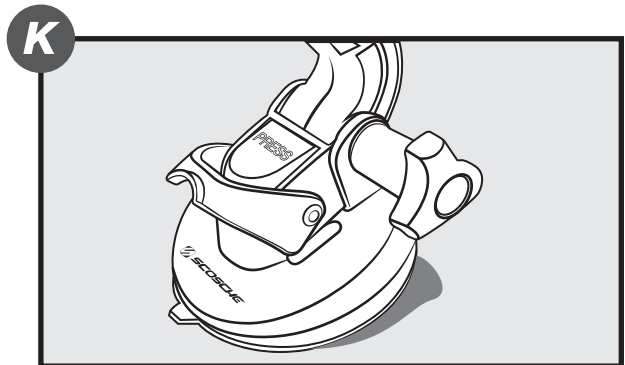
# MOUNTING

## MOUNTING THE SUCTION MOUNT

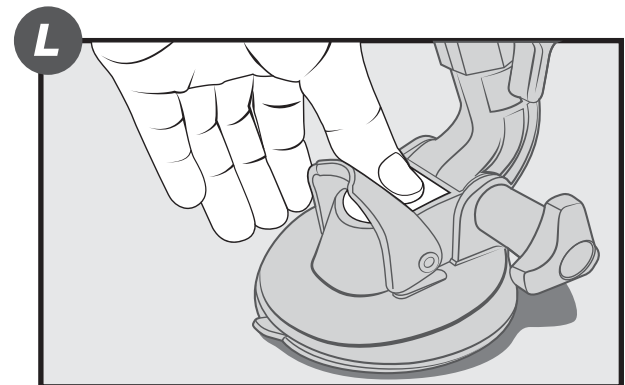
- 1 Clean mounting location thoroughly of debris and dust for the best adhesion (J).



- 2 Apply the suction to the mounting location and make sure the lever is to the up position, as shown in the illustration (K).



- 3 Firmly apply pressure to the button labeled **PRESS** to create a vacuum to the suction (L).



- 4 Set the lever to the bottom position (M) to secure the suction and the mount to the designated mounting location.

