

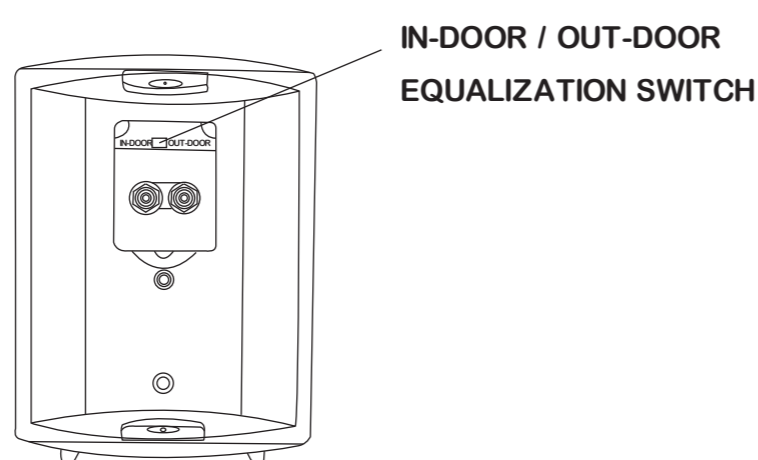
OWNERS MANUAL

INDOOR/OUTDOOR
WEATHERPROOF SPEAKER SYSTEMS
ALL WEATHER DESIGN
FOR MARINE-BOAT-PATIO AND POOL

PLYLE®

- PDWR33
- PDWR3T
- PDWR53
- PDWR5T
- PDWR63
- PDWR6T

FIG 1:INDOOR/OUTDOOR SWITCH

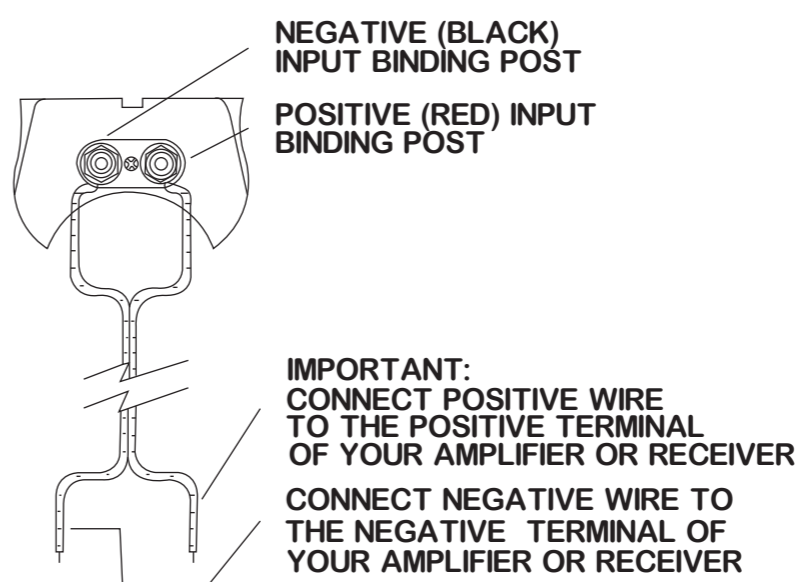


INDOOR/OUTDOOR BASS BOOST SWITCH:
Audio Experts Have Known For Years That Sound,And Bass Frequencies In Particular,Lose Impact In Outdoor Environments. To Compensate,Many People Will Turn Up The Volume,Overdriving Their System,And Damaging The Speakers Components. In Response,"PDWR"Speaker Designed A Unique Switch That Increases Bass When In The "OUTDOOR"Position.At The Same Time,it Protects "PDWR"Speaker From Overdrive Damage In Exterior Applications.The Result Is Dramatically Improved Sound Reproduction,More Reliable Operation,And Longer Life. In The "INDOOR" Position,Performance is Automatically Adjusted To Produce Optimum Results For Use Inside Rooms.

ALL WEATHER DESIGN:
The Materials Used In The Manufacture Of "PDWR"Speakers Have Been Carefully Selected ToStand UpTo Extremes Of Temperature (FROM-50° F TO 200° F),rain, Snow,Heat,Salt Water,And The Sun'sUV Rays. "PDWR" Is Ruggedly Constructed With A Combination Of:(1)A Low-resonance Mineral-filled Polypropylene Cabinet (2)Brass,Stainless Steel And Aluminum Hardware,And(3)Gold-plated Binding Posts.

1.

FIG 2 : CONNECTING YOUR SPEAKER

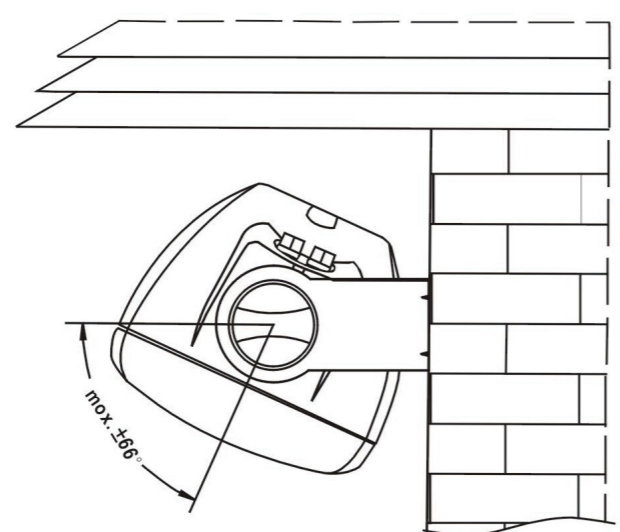


The Following Will assist you in connecting the individual speajers to your amplifier or receiver.

- (1) First turn your amplifier of to avoid damage which may result from accidental shorting of the speaker leads
- (2) Correct phase polarity is critical for proper stereo imagingand bass performance.the red(+) terminal on your amplifier or receiver must be connected to the red(+) terminal on your speaker,the same applies for the balck(-) terminal
- (3) Connect one loudspeaker at a time to ensure proper connection of left and right channels,make sure all wires are firmly fastened
- (4) If you notice a great jack of bass/or centrl image focus,double check your connections for proper polarity

2.

FIG 3:EAVE MOUNTING



MOUNTING THE BRACKET
(1) Remove The Bracket Knobs And The Bracket From The Speaker
(2) Hold The Bracket UpTo The Mounting Surface."Plmr" Can Be Mounted Either Horizontally Or Vertically. Hold The Bracket So That The Speaker Wire Fits Through The Large, Circular Wire Hple In The Bracket,Align The Bracket To Be Square With The Surrounding (Use A Level For Accuracy)
(3) Mark The Locations Of The Three Shaped Screw Holes, Use All Of The Holes
(4) Drill Pilot Holes Into The Mounting Surface
(5) Gently Pull The Speaker Wire Through The Wire Hole In The Center Of The Mounting Bracket, The Bracket So That The Holes All Line Up
(6) Use Your Hardware To Attach The Bracket To The Mounting Surface

FINAL ADJUSTMENTS
(1) After Checking That The Speaker Is In-phase And Works Correctly, Angle TheSpeaker For The Best Sound
(2) Hand Tighten The Bracket Knobs Only,Power Tools May Over-TightenThe Knob,And Strip The Threads Of The Insert
(3) Check That The Entire Installation Is Safe And Secure

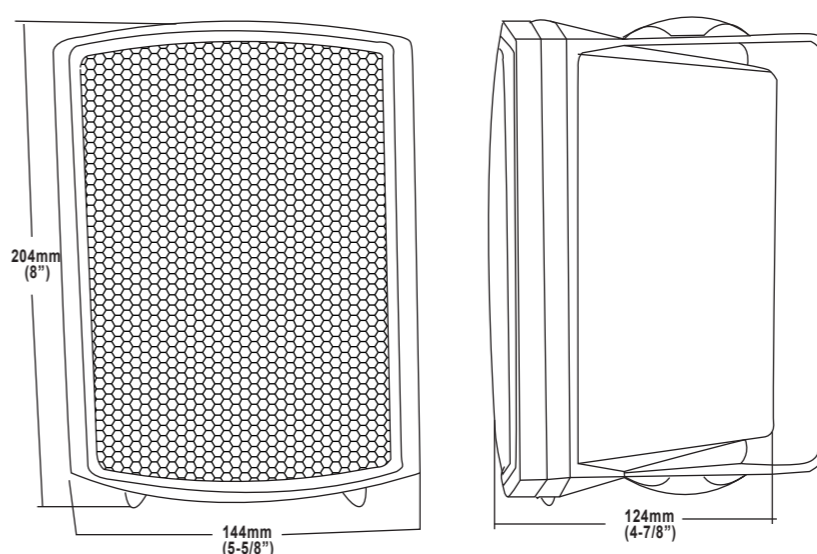
3.

FATURES :

PDWR33
Excellent For Monitor or Surround Sound Applications
* 3-1/2" long Throw Woofer
* 1/2" Polymer Dome Tweeter
* 200 Watts Rated Peak Power
* Frequency Response:70Hz-20KHz
* 8 Ohm Impedance
* Vented Design for High Power and Deep Bass Response
* Heavy Duty Plastic Cabinet
* Gold Plated Plug Terminals
* Spring Loaded Mounting BracketIncluded
*Quick Connect/Disconnect Terminals
* Dimensions:
5-5/8"(W)x8"(H)x4-7/8"(D)

PDWR3T
Excellent For Monitor or Surround Sound Applications
* 3-1/2" long Throw Woofer
* 1/2" Polymer Dome Tweeter
* 200 Watts Rated Peak Power
* Frequency Response:70Hz-20KHz
* 8 Ohm Impedance
* Vented Design for High Power and Deep Bass Response
* Heavy Duty Plastic Cabinet
* Gold Plated Plug Terminals
* Spring Loaded Mounting BracketIncluded
*Transformer Circuit For Impedance Compatible
*Quick Connect/Disconnect Terminals
* Dimensions:
5-5/8"(W)x8"(H)x4-7/8"(D)

FIG 4:OVERALL DIMENSIONS



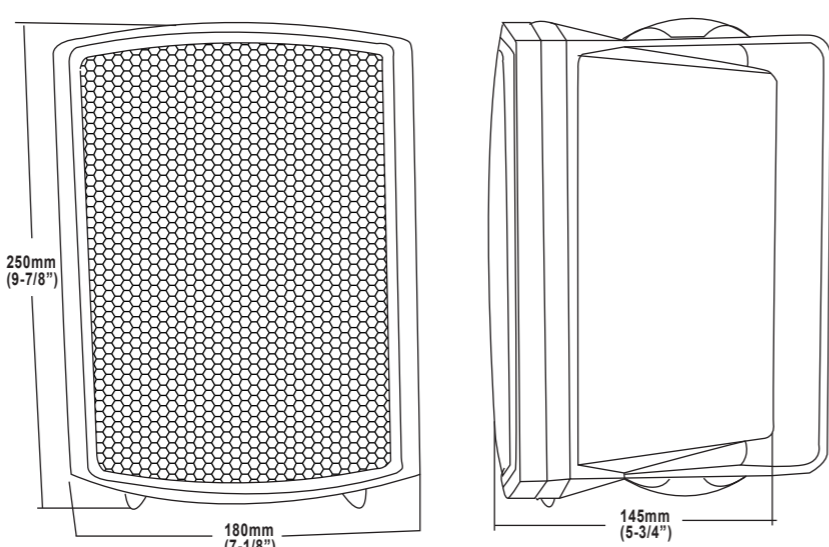
4.

FATURES :

PDWR53
Excellent For Monitor or Surround Sound Applications
* 5-1/4" long Throw Woofer
* 1/2" Polymer Dome Tweeter
* 250 Watts Rated Peak Power
* Frequency Response: 85Hz-20KHz
* 8 Ohm Impedance
* Vented Design for High Power and Deep Bass Response
* Heavy Duty Plastic Cabinet
* Gold Plated Plug Terminals
* Spring Loaded Mounting BracketIncluded
*Quick Connect/Disconnect Terminals
* Dimensions:
7-1/8"(W)x9-7/8"(H)x5-3/4"(D)

PDWR5T
Excellent For Monitor or Surround Sound Applications
* 5-1/4" long Throw Woofer
* 1/2" Polymer Dome Tweeter
* 250 Watts Rated Peak Power
* Frequency Response: 85Hz-20KHz
* 8 Ohm Impedance
* Vented Design for High Power and Deep Bass Response
* Heavy Duty Plastic Cabinet
* Gold Plated Plug Terminals
* Spring Loaded Mounting BracketIncluded
*Transformer Circuit For Impedance Compatible
*Quick Connect/Disconnect Terminals
* Dimensions:
7-1/8"(W)x9-7/8"(H)x5-3/4"(D)

FIG 4:OVERALL DIMENSIONS



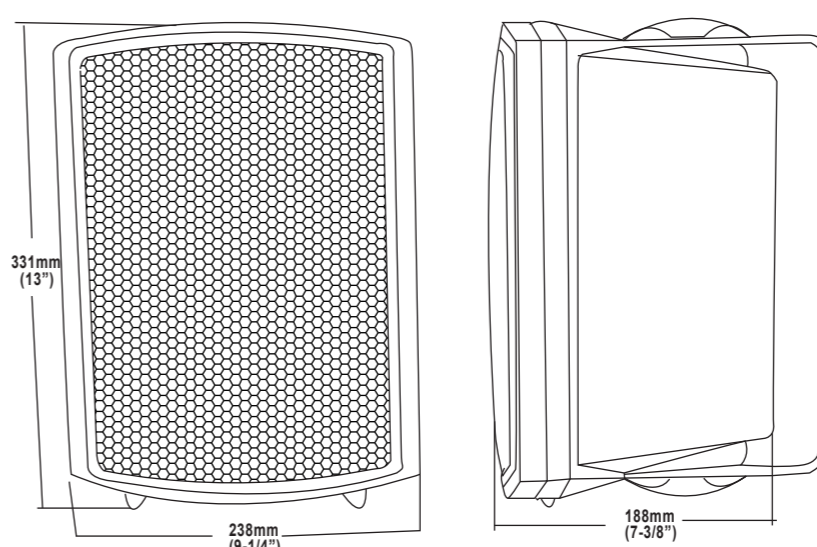
5.

FATURES :

PDWR63
Excellent For Monitor or Surround Sound Applications
* 6-1/2" long Throw Woofer
* 1" Polymer Dome Tweeter
* 350 Watts Rated Peak Power
* Frequency Response:50Hz-20KHz
* 8 Ohm Impedance
* Vented Design for High Power and Deep Bass Response
* Heavy Duty Plastic Cabinet
* Gold Plated Plug Terminals
* Spring Loaded Mounting BracketIncluded
*Quick Connect/Disconnect Terminals
* Dimensions:
9-1/4"(W)x13"(H)x7-3/8"(D)

PDWR6T
Excellent For Monitor or Surround Sound Applications
* 6-1/2" long Throw Woofer
* 1" Polymer Dome Tweeter
* 350 Watts Rated Peak Power
* Frequency Response:50Hz-20KHz
* 8 Ohm Impedance
* Vented Design for High Power and Deep Bass Response
* Heavy Duty Plastic Cabinet
* Gold Plated Plug Terminals
* Spring Loaded Mounting BracketIncluded
*Transformer Circuit For Impedance Compatible
*Quick Connect/Disconnect Terminals
* Dimensions:
9-1/4"(W)x13"(H)x7-3/8"(D)

FIG 4:OVERALL DIMENSIONS



6.

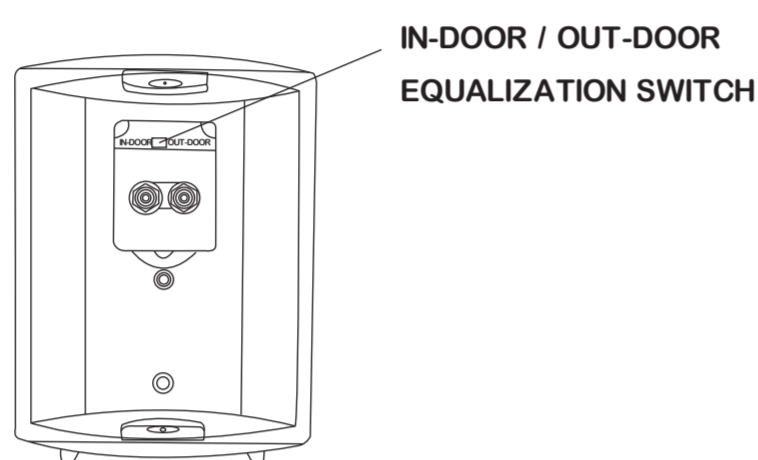
OWNERS MANUAL

INDOOR/OUTDOOR
WEATHERPROOF SPEAKER SYSTEMS
ALL WEATHER DESIGN
FOR MARINE-BOAT-PATIO AND POOL



- ☐ PDWR33
- ☐ PDWR3T
- ☐ PDWR53
- ☐ PDWR5T
- ☐ PDWR63
- ☐ PDWR6T

FIG 1:INDOOR/OUTDOOR SWITCH

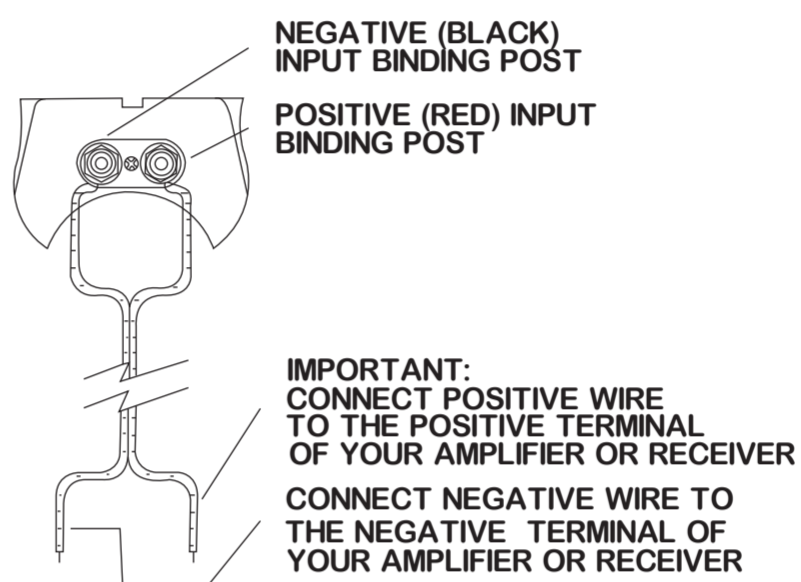


INDOOR/OUTDOOR BASS BOOST SWITCH:
Audio Experts Have Known For Years That Sound,And Bass Frequencies In Particular,Lose Impact In Outdoor Environments. To Compensate,Many People Will Turn Up The Volume,Overdriving Their System,And Damaging The Speakers Components. In Response,"PDWR"Speaker Designed A Unique Switch That Increases Bass When In The "OUTDOOR"Position.At The Same Time,it Protects "PDWR"Speaker From Overdrive Damage In Exterior Applications.The Result Is Dramatically Improved Sound Reproduction,More Reliable Operation,And Longer Life. In The "INDOOR" Position,Performance is Automatically Adjusted To Produce Optimum Results For Use Inside Rooms.

ALL WEATHER DESIGN:
The Materials Used In The Manufacture Of "PDWR"Speakers Have Been Carefully Selected ToStand UpTo Extremes Of Temperature (FROM-50° F TO 200° F),rain, Snow,Heat,Salt Water,And The Sun'sUV Rays. "PDWR" Is Ruggedly Constructed With A Combination Of:(1)A Low-resonance Mineral-filled Polypropylene Cabinet (2)Brass,Stainless Steel And Aluminum Hardware,And(3)Gold-plated Binding Posts.

1.

FIG 2 : CONNECTING YOUR SPEAKER

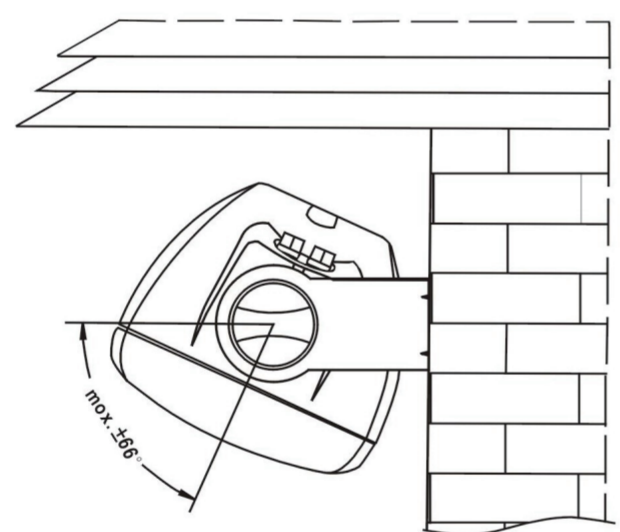


The Following Will assist you in connecting the individual speakers to your amplifier or receiver.

- (1) First turn your amplifier off to avoid damage which may result from accidental shorting of the speaker leads
- (2) Correct phase polarity is critical for proper stereo imaging and bass performance.the red(+) terminal on your amplifier or receiver must be connected to the red(+) terminal on your speaker,the same applies for the black(-) terminal
- (3) Connect one loudspeaker at a time to ensure proper connection of left and right channels,make sure all wires are firmly fastened
- (4) If you notice a great lack of bass/or central image focus,double check your connections for proper polarity

2.

FIG 3:EAVE MOUNTING



MOUNTING THE BRACKET
(1) Remove The Bracket Knobs And The Bracket From The Speaker
(2) Hold The Bracket Up To The Mounting Surface."Plmr" Can Be Mounted Either Horizontally Or Vertically. Hold The Bracket So That The Speaker Wire Fits Through The Large, Circular Wire Hole In The Bracket,Align The Bracket To Be Square With The Surrounding (Use A Level For Accuracy)
(3) Mark The Locations Of The Three Shaped Screw Holes, Use All Of The Holes
(4) Drill Pilot Holes Into The Mounting Surface
(5) Gently Pull The Speaker Wire Through The Wire Hole In The Center Of The Mounting Bracket, The Bracket So That The Holes All Line Up
(6) Use Your Hardware To Attach The Bracket To The Mounting Surface

FINAL ADJUSTMENTS
(1) After Checking That The Speaker Is In-phase And Works Correctly, Angle TheSpeaker For The Best Sound
(2) Hand Tighten The Bracket Knobs Only,Power Tools May Over-TightenThe Knob,And Strip The Threads Of The Insert
(3) Check That The Entire Installation Is Safe And Secure

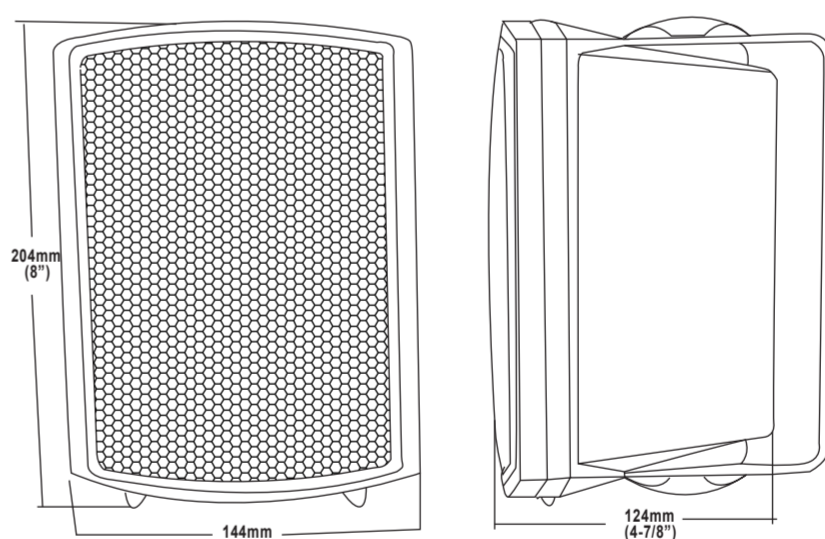
3.

FATURES :

PDWR33
Excellent For Monitor or Surround Sound Applications
* 3-1/2" long Throw Woofer
* 1/2" Polymer Dome Tweeter
* 200 Watts Rated Peak Power
* Frequency Response:70Hz-20KHz
* 8 Ohm Impedance
* Vented Design for High Power and Deep Bass Response
* Heavy Duty Plastic Cabinet
* Gold Plated Plug Terminals
* Spring Loaded Mounting BracketIncluded
*Quick Connect/Disconnect Terminals
* Dimensions: 5-5/8"(W)x8"(H)x4-7/8"(D)

PDWR3T
Excellent For Monitor or Surround Sound Applications
* 3-1/2" long Throw Woofer
* 1/2" Polymer Dome Tweeter
* 200 Watts Rated Peak Power
* Frequency Response:70Hz-20KHz
* 8 Ohm Impedance
* Vented Design for High Power and Deep Bass Response
* Heavy Duty Plastic Cabinet
* Gold Plated Plug Terminals
* Spring Loaded Mounting BracketIncluded
*Transformer Circuit For Impedance Compatible
*Quick Connect/Disconnect Terminals
* Dimensions: 5-5/8"(W)x8"(H)x4-7/8"(D)

FIG 4:OVERALL DIMENSIONS



4.

FATURES :

PDWR53
Excellent For Monitor or Surround Sound Applications
* 5-1/4" long Throw Woofer
* 1/2" Polymer Dome Tweeter
* 250 Watts Rated Peak Power
* Frequency Response: 85Hz-20KHz
* 8 Ohm Impedance
* Vented Design for High Power and Deep Bass Response
* Heavy Duty Plastic Cabinet
* Gold Plated Plug Terminals
* Spring Loaded Mounting BracketIncluded
*Quick Connect/Disconnect Terminals
* Dimensions: 7-1/8"(W)x9-7/8"(H)x5-3/4"(D)

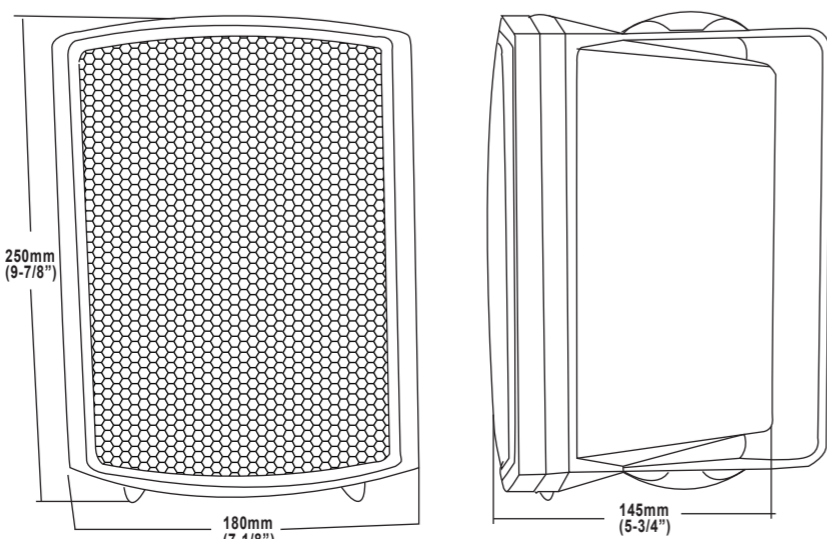
PDWR5T
Excellent For Monitor or Surround Sound Applications
* 5-1/4" long Throw Woofer
* 1/2" Polymer Dome Tweeter
* 250 Watts Rated Peak Power
* Frequency Response: 85Hz-20KHz
* 8 Ohm Impedance
* Vented Design for High Power and Deep Bass Response
* Heavy Duty Plastic Cabinet
* Gold Plated Plug Terminals
* Spring Loaded Mounting BracketIncluded
*Transformer Circuit For Impedance Compatible
*Quick Connect/Disconnect Terminals
* Dimensions: 7-1/8"(W)x9-7/8"(H)x5-3/4"(D)

FATURES :

PDWR63
Excellent For Monitor or Surround Sound Applications
* 6-1/2" long Throw Woofer
* 1" Polymer Dome Tweeter
* 350 Watts Rated Peak Power
* Frequency Response:50Hz-20KHz
* 8 Ohm Impedance
* Vented Design for High Power and Deep Bass Response
* Heavy Duty Plastic Cabinet
* Gold Plated Plug Terminals
* Spring Loaded Mounting BracketIncluded
*Quick Connect/Disconnect Terminals
* Dimensions: 9-1/4"(W)x13"(H)x7-3/8"(D)

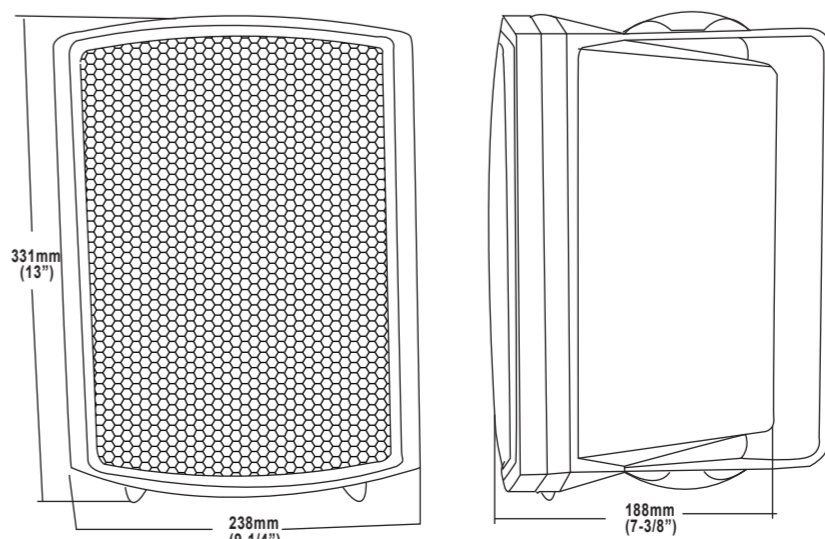
PDWR6T
Excellent For Monitor or Surround Sound Applications
* 6-1/2" long Throw Woofer
* 1" Polymer Dome Tweeter
* 350 Watts Rated Peak Power
* Frequency Response:50Hz-20KHz
* 8 Ohm Impedance
* Vented Design for High Power and Deep Bass Response
* Heavy Duty Plastic Cabinet
* Gold Plated Plug Terminals
* Spring Loaded Mounting BracketIncluded
*Transformer Circuit For Impedance Compatible
*Quick Connect/Disconnect Terminals
* Dimensions: 9-1/4"(W)x13"(H)x7-3/8"(D)

FIG 4:OVERALL DIMENSIONS



5.

FIG 4:OVERALL DIMENSIONS



6.