



# Super Washer



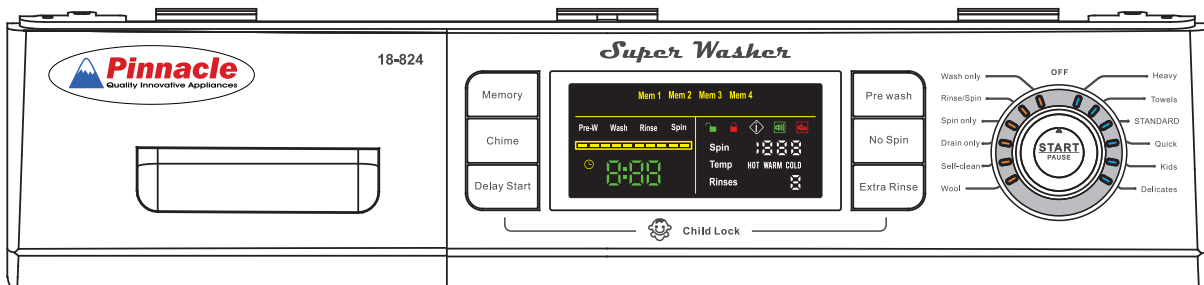
SPECIFICATIONS	
Model	18-824
Colors	White with Silver Trim
Capacity	13 lbs
Programs	12
Door Diameter / Swing	18"/180°
Weight (Net/Gross) lbs	152/156
Pre-Wash Function	Yes
Stainless steel drum	Yes
Automatic door lock in wash	Yes
Easy access coin-trap	Yes
Soak Function	Yes
Extra Rinse	Yes
Spin Speed	1200 rpm
Additive Dispenser	Automatic
Electrical	110V 60Hz 15A
Unit Dimension HxWxD (inch)	33.5 x 23.5 x 22
Warranty	5 Years Limited

## FEATURES

- Child lock
- Delay Start
- Self clean option
- Add-a-sock option
- End of cycle chime
- Water saver option
- Built-In Diagnostics
- Easy to open coin trap
- Start / Pause function
- Adjustable Leveling legs - 4
- Easy to install - 2 shipping rods
- Electronic control panel with LED Lights
- Energy saving - auto display off after 5 min
- Angled 45° door handle ( Reduces bending )

**NEW**

- 1200 RPM
- LED Display
- Automatic Water Level

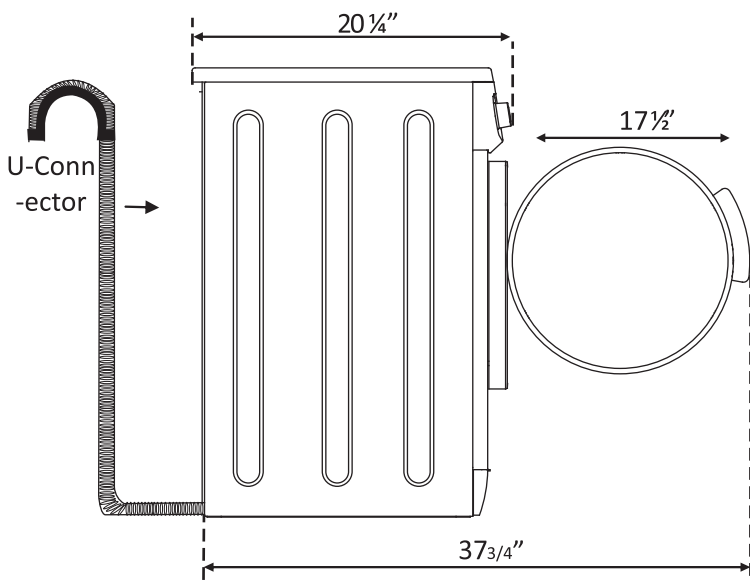


# DATA SHEET : WASHER

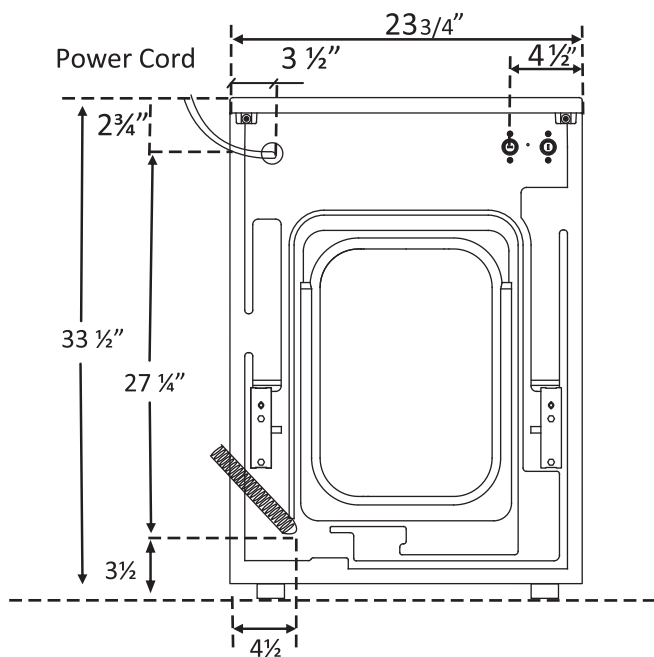
## Specifications:

Product	Washer
Model	824
Capacity	13lbs / 1.6 cu.ft
Programs	12
Door Diameter/Swing	18"/180°
Spin Speed	1200 rpm
Weight (Net/Gross ) lbs (kgs)	152 /156 (68.9/70.7)
Electrical	110V 60Hz 15A
Unit Dimension HxWxD inch(cms)	33.5 x 23.5 x 22 (85.09x59.69x55.88)
Pack Dimension HxWxD inch(cms)	36 x 26 x 25 (91.44x66.04x63.5)

SIDE VIEW



REAR VIEW



## Attachments:

Power cord length - 5' - Color White  
 Drain hose length - 5' - Color Grey  
 Inlet hose length - 5' - Color Black with stainless connector

## Installation Location:

- Unit may be installed in recessed area, closet, or alcove.
- Air space Requirements: 2" on sides and 3" in front and back (from the case). Additional installation spacing needs to be considered for easy installation, servicing, and compliance with local codes or ordinances.
- Floor must support at least 280 lbs. and be a solid, level surface.
- When locating in a towable trailer or watercraft, position the machine over the axles or midship where movement is a minimum. Block unit in to prevent extreme movement.

## Standpipe Drain:

- In Home, installation need a 1 1/2" (3.7cm) diameter standpipe with the minimum carry-away capacity of 7 gallons (26 liters) per minute.
- An air break must be available at the standpipe to avoid siphoning.

- Top of standpipe must be at least 24" (60cms) high and no higher than 40" (101 cms) from the bottom of the machine.

## Sink Drain:

- The drain hose can be clamped to the sink using the U-connector provided the top of the sink is not higher than 40" (101 cm) from the bottom of the machine.

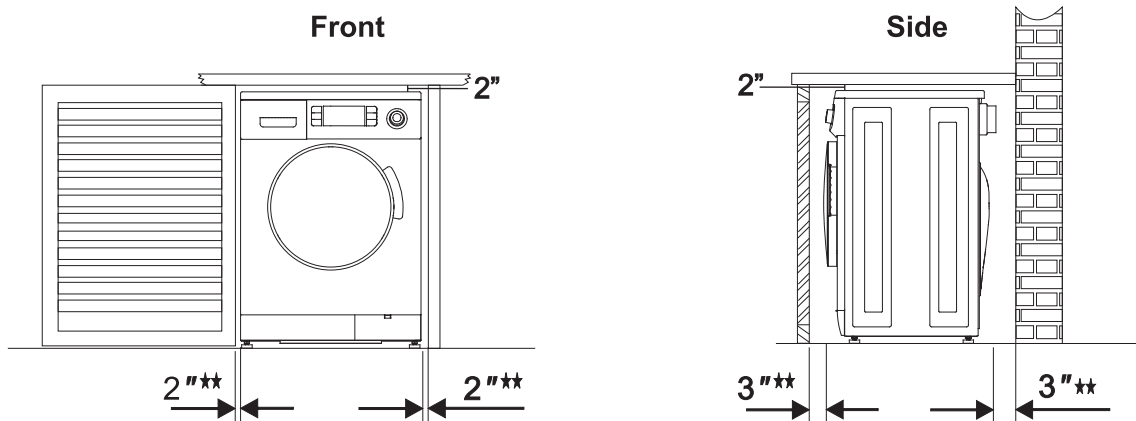
## Portability Kit Available

- It comprises of a faucet adapter for direct faucet connection, Y-connector for single faucet connection and casters to make the unit portable.

# BUILT-IN

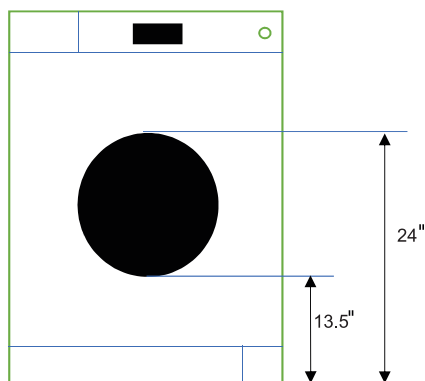
## Cutout Dimensions

Cutout Height	35.5 inches
Cutout Width	27.5 inches
Cutout Depth	28 inches

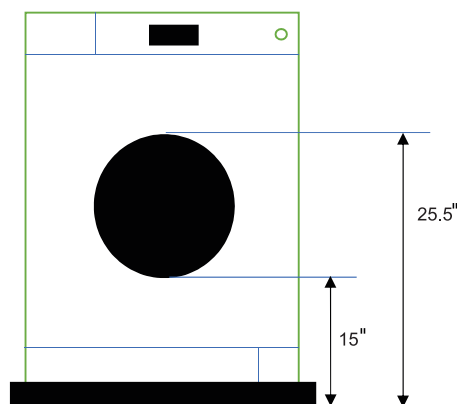


## ADA

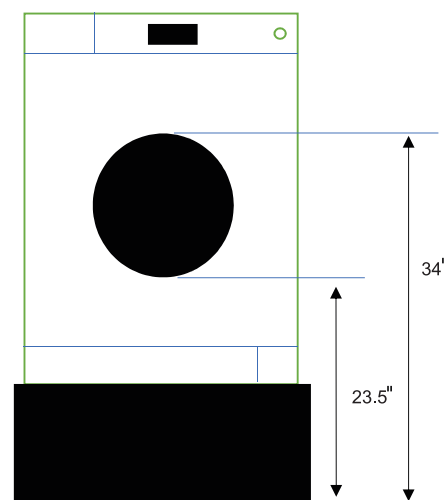
**ADA Standard:** As per ADA 611.4, Front loading machines shall have the bottom of the opening to the laundry compartment located 15 inches (380 mm) minimum and top is 36 inches (915 mm) maximum above the finish floor.



**Floor**



**1.5" Platform**



**10" Pedestal**

**A**

**A) Unit is kept on a 1.5 inches Platform.** This will fulfil ADA requirement and bottom of the opening of the Laundry Compartment will become 15 inches (Top is 25.5 inches)

**B**

**B) Unit is kept on Pedestal** (Supplied as an accessory). This will fulfil ADA requirement and bottom of the opening of the laundry compartment will become 23.5 inches.(Top is 34 inches)

For Washer, bottom of the opening of the laundry compartment is located at 13.5 inches. Hence super it cannot comply with ADA standards. It can only comply with ADA if either of the conditions (A or B) are complied with.