

product specifications for:

# 50A Inlets

**Item #:** 6344EL-BRV.G

**Description**

50 Amp 125V/250V Gray Inlet with Stainless steel Trim

**Electrical Specifications**

50 amperes, 125/250 volts, 4-wire locking

NEMA: SS2-50P

**Material Specifications**

Cap & Bezel Material: Polyester

Plug body Material: Nylon

Contact Material: Nickel plated brass

Rear enclosure: Polyester with a UL flammability of 94V-0

**Terminals**

Brass, Clamp-type. Accommodates up to 6 AWG wire.

**Enclosure**

Provided. Includes strain relief.

**Mounting screws**

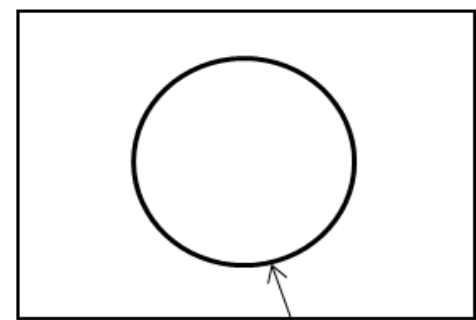
Not provided. No. 8 pan head recommended

**Listings**

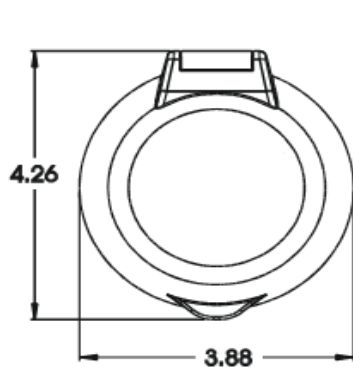
UL listed, File E57672

CSA certified, File 81290\_0\_000

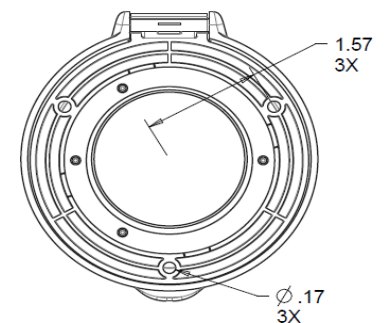
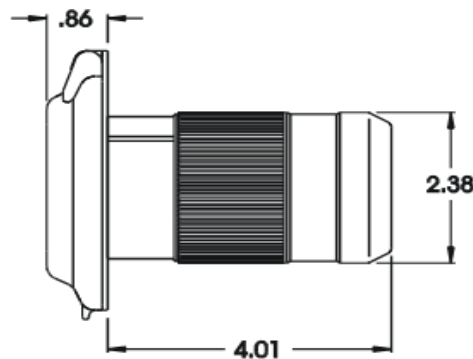
Complies with ABYC and Coast Guard Standards



2-7/8" (2.875")  
Mounting hole  
diameter



Dimensions shown in inches



**ParkPower**  
by Maringo