

product specifications for:

30A Inlets

Item #: 30ARVIB

Description

30 Amp 125V Black Inlet

Electrical Specifications

30 amperes, 125 volts

NEMA: L5-30P

Material Specifications

Cap & Bezel Material: Polyester

Plug body Material: Nylon

Contact Material: Brass

Rear enclosure: Polyester with a UL flammability of 94V-0

Terminals

Brass, Clamp-type. Accommodates 10 AWG and 8 AWG wire.

Enclosure

Provided. Includes strain relief.

Mounting screws

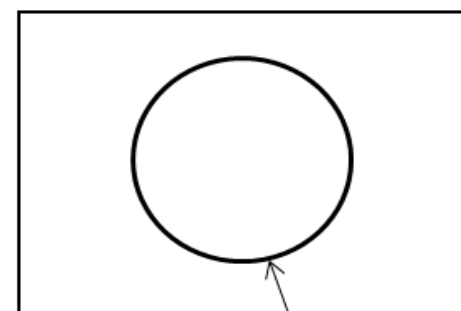
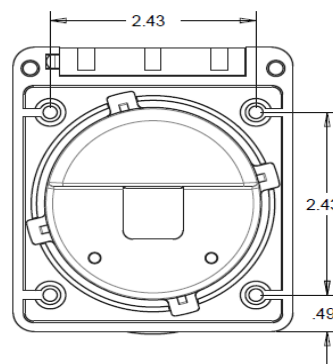
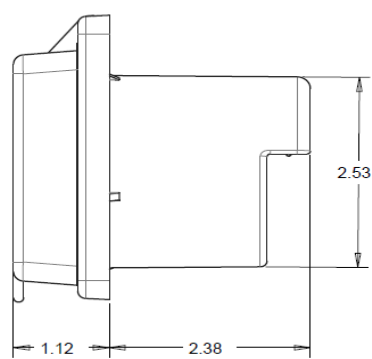
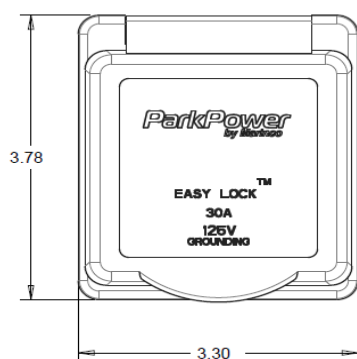
Not provided. No. 8 pan head recommended

Listings

UL listed, File E57672

CSA certified, File 81290_0_000

Complies with ABYC and Coast Guard Standards



2-7/8" (2.875")
Mounting hole
diameter

Dimensions shown in inches

ParkPower
by Marinco