

product specifications for:
30A Inlets

Item #: 304EL-BRV.G

Description

30 Amp 125V Gray Inlet with Stainless steel Trim

Electrical Specifications

30 amperes, 125 volts
NEMA: L5-30P

Material Specifications

Cap & Bezel Material: Polyester
Plug body Material: Nylon
Contact Material: Brass
Rear enclosure: Polyester with a UL flammability of 94V-0

Terminals

Brass, Clamp-type. Accommodates 10 AWG and 8 AWG wire.

Enclosure

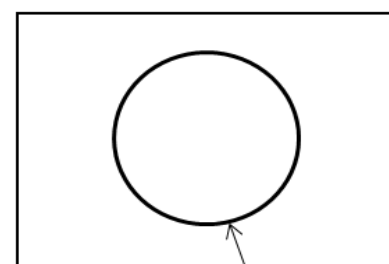
Provided. Includes strain relief.

Mounting screws

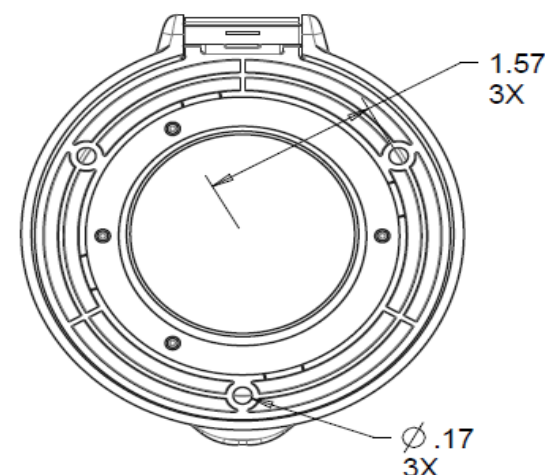
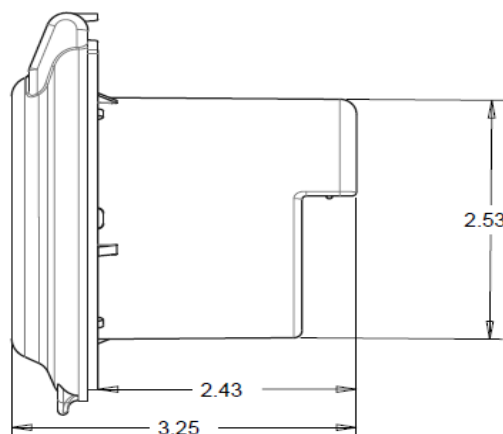
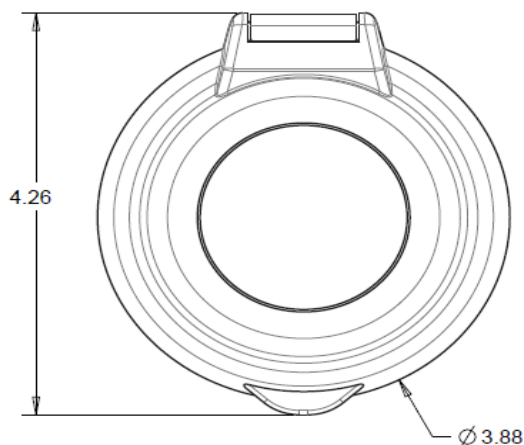
Not provided. No. 8 pan head recommended

Listings

UL listed, File E57672
CSA certified, File 81290_0_000
Complies with ABYC and Coast Guard Standards



2-7/8" (2.875")
Mounting hole
diameter



Dimensions shown in inches

