



Micro CD/MP3 Player with FM Radio & USB/SD/Bluetooth



NS-442



**PLEASE READ THIS USER MANUAL COMPLETELY BEFORE
OPERATING THIS UNIT AND RETAIN THIS BOOKLET FOR
FUTURE REFERENCE.**

IMPORTANT SAFETY INSTRUCTIONS

- 1) Read these instructions.
 - 2) Keep these instructions.
 - 3) Read all warnings.
 - 4) Follow all instructions.
 - 5) Do not use this apparatus near water.
 - 6) Clean only with a dry cloth.
 - 7) Do not block any ventilation openings. Install in accordance with the manufacturer's instructions.
 - 8) Do not install near any heat sources, such as radiators, heat registers, stoves, or other apparatus (including amplifiers) that produce heat.
 - 9) Do not defeat the safety purpose of the polarized or grounding type plug. A polarized plug has two blades with one wider than the other. A grounding type plug has two blades and a third grounding prong. The wide blade and/or the third prong are provided for your safety. If the provided plug does not fit into your outlet, consult an electrician for replacement of the obsolete outlet.
 - 10) Protect the POWER cord from being walked on or pinched, particularly at plugs, convenience receptacles, and the point where they exit from the apparatus.
 - 11) Only use attachments and accessories specified by the manufacturer.
 - 12) Use only with the cart, stand, tripod, bracket, or table specified by the manufacturer, or sold with the apparatus. When a cart is used, use caution when moving the apparatus to avoid injury.
 - 13) Unplug this apparatus during lightning storms or when unused for prolonged periods of time.
 - 14) Refer all servicing to qualified service personnel. Servicing is required when the apparatus has been damaged in any way, such as POWER supply cord or plug is damaged, liquid has been spilled or objects have fallen on the apparatus, the apparatus has been exposed to rain or moisture, does not operate normally, or has been dropped.
 - 15) The appliance shall not be exposed to dripping or splashing water and no object filled with liquid, such as vases shall be placed on the apparatus.
 - 16) CAUTION: Visible and invisible laser radiation when open and the interlock is defeated.
 - 17) Rating label is located at the bottom of the enclosure.
 - 18) "CAUTION" mark is also located at the bottom of the enclosure.
- CAUTION: Use of any controls, adjustments, or procedures other than those specified herein may result in hazardous exposure.
 - CAUTION: Danger of explosion if battery is incorrectly replaced. Replace only with the same or equivalent type battery.
 - To prevent fire or shock hazard, do not use this plug with an extension cord, receptacle, or other outlet unless the blades can be fully inserted to prevent blade exposure.
 - WARNING: To reduce the risk of fire or electric shock, do not expose this appliance to rain or moisture.
 - WARNING: The batteries shall not be exposed to excessive heat from direct sunlight, fire, or other heat sources.

 <p style="font-size: small; margin: 0;">THE LIGHTNING FLASH WITH ARROWHEAD SYMBOL, WITHIN AN EQUILATERAL TRIANGLE, IS INTENDED TO ALERT THE USER TO THE PRESENCE OF NON-INSULATED "DANGEROUS VOLTAGE" WITHIN THE PRODUCT'S ENCLOSURE THAT MAY BE OF SUFFICIENT MAGNITUDE TO CONSTITUTE A RISK OF ELECTRIC SHOCK TO PERSONS.</p>	<p style="margin: 0;">CAUTION</p> <p style="margin: 0; font-weight: bold; background-color: black; color: white; padding: 2px;">RISK OF ELECTRIC SHOCK DO NOT OPEN</p> <p style="font-size: x-small; margin: 0;">WARNING: TO REDUCE THE RISK OF ELECTRIC SHOCK, DO NOT REMOVE THE FRONT OR REAR COVER. NO USER SERVICEABLE PARTS ARE INSIDE. REFER SERVICING TO QUALIFIED SERVICE PERSONNEL.</p>	 <p style="font-size: x-small; margin: 0;">THE EXCLAMATION POINT WITHIN AN EQUILATERAL TRIANGLE IS INTENDED TO ALERT THE USER TO THE PRESENCE OF IMPORTANT OPERATING AND MAINTENANCE (SERVICING) INSTRUCTIONS IN THE LITERATURE ACCOMPANYING THE APPLIANCE.</p>
---	---	--

FCC WARNINGS

WARNING: Changes or modifications to this unite not expressly approved by the party responsible for complaince could void the user's authority to operate the equipment.

NOTE: This equipment has been tested and found to comply with the limits for a Class B digital device, pursuant to Part 15 of the FCC Rules. These limits are designed to provide reasonable protection against harmful interference in a residential installation. This equipment generates, uses, and can radiate radio frequency energy and, if not installed and used in accordance with the instructions, may cause harmful interference to radio communications. However, there is no guarantee that interference will not occur in a particular installation. If this equipment does cause harmful interference to radio or television reception, which can be determined by turning the equipment off and on, the user is encouraged to try to correct the interference by one or more of the following measures:

- Reorient or relocate the receiving antenna.
- Increase the separation between the equipment and receiver.
- Connect the equipment into an outlet on a circuit different from that to which the receiver is connected.
- Consult the dealer or an experienced radio/TV technician for help.

WELCOME

Thank you for purchasing the Micro system Player NS-442. In order to fully benefit from this product, please follow the instructions in this user manual very carefully. Store this user manual in a safe place for future reference. We are sure your new Micro system will satisfy your needs

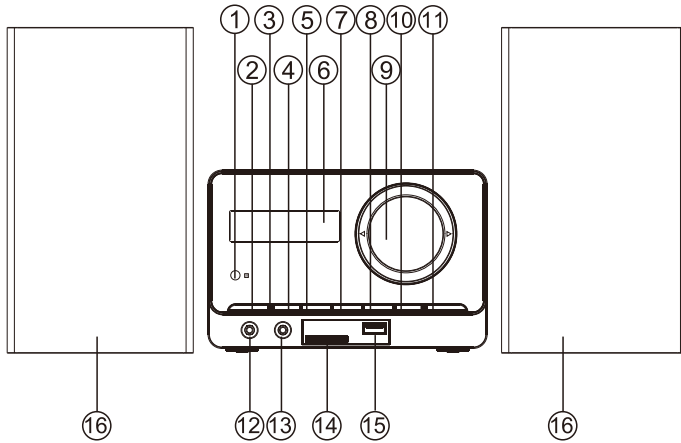
PREPARING FOR USE

Unpacking and Setup

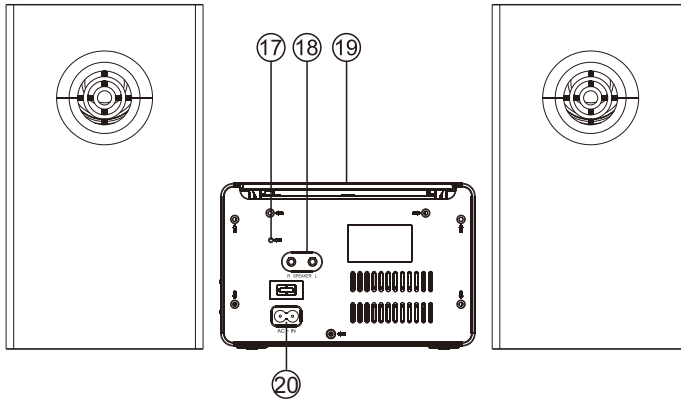
- Carefully remove the unit from the display carton and remove all packing material from the unit itself.
- Remove any descriptive labels that may be found on either the front or top cabinet of the unit. Do not remove any labels located on either the back or bottom cabinet of the unit.
- Press the CD door OPEN button to open the CD compartment door. There is a white card in the CD compartment which is intended to prevent the CD pickup from moving during shipment of the product. Remove this card from the CD compartment before use.

PRODUCT OVERVIEW

Front View



Rear View



- | | |
|------------------------------|-----------------------------|
| 1. REMOTE SENSOR | 11. FUNCTION BUTTON |
| 2. POWER BUTTON | 12. AUX IN JACK |
| 3. STANDBY INDICATOR | 13. PHONE JACK |
| 4. PLAY/PAUSE BUTTON | 14. SD/MMC SLOT |
| 5. STOP/USB/SD BUTTON | 15. USB PORT |
| 6. LCD DISPLAY | 16. LEFT & RIGHT SPEAKERS |
| 7. BACK BUTTON | 17. FM ANTENNA WIRE |
| 8. NEXT BUTTON | 18. SPEAKER WIRE CONNECTORS |
| 9. VOLUME BUTTON | 19. CD DOOR |
| 10. REPEAT/PROG./TIME BUTTON | 20. AC SOCKET |

PRODUCT OVERVIEW - Continued

1. REMOTE SENSOR

2. POWER BUTTON

- Press to power on or off.

3. STANDBY INDICATOR

4. PLAY/PAUSE BUTTON

- Play or pause MP3/CD/USB/SD/BT.
- In radio mode, press the play/pause button

To enter the automatic channel scan mode.

5. STOP/USB/SD BUTTON

- Stop CD/MP3/USB/SD/BT playback; Erase a CD program.

- Press and hold more than 1.5 sec

To change playback between SD and USB.

6. LCD DISPLAY

- Displays the FM frequency.
- Displays the track number.

7. BACK BUTTON

- Return to previous track.
- Press and hold more than 1.5 sec to Rewind backwards.

- In radio mode, press BACK to search a channel automatically.

8. NEXT BUTTON

- Advance to the next track.
- Press and hold more than 1.5 sec forward.

- In the radio mode, press NEXT to search a Channel automatically.

9. VOLUME KNOB

- Adjust volume level.
- Turn left or right once to adjust the volume level.

10. REPEAT/ PROGRAM/ TIME BUTTON

- Repeat a track in CD/MP3/USB/SD mode.

- Play modes: normal->repeat 1->repeat all->

Repeat album ->normal.

- In standby mode, allows to setup the time of the unit.

- Program and review programmed track numbers.

- In working status, press this button to enter the program mode in CD/MP3/USB/SD/RADIO.

11. FUNCTION BUTTON

- Select the source of sound: CD/USB/SD/AUX/RADIO/BT.

12. AUX JACK

- Select AUX mode to playback from an external audio device.(MP3, Discman, Walkman)

13. PHONE JACK

- 3.5 mm stereo headphone jack.

14. SD/MMC SLOT

15. USB PORT

16. LEFT & RIGHT SPEAKERS

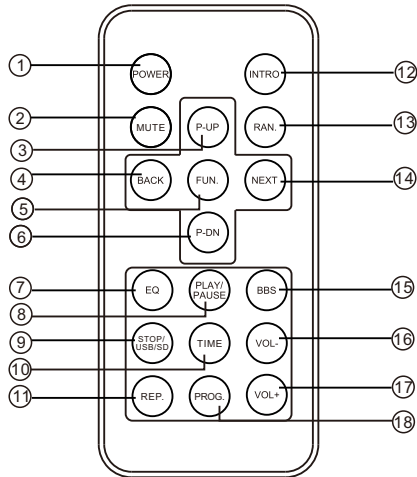
17. FM ANTENNA

18. SPEAKER WIRE CONNECTORS

19. CD DOOR

20. AC LINE CORD

REMOTE CONTROL



- | | |
|-----------------------|--------------------|
| 1. POWER BUTTON | 10. TIME BUTTON |
| 2. MUTE BUTTON | 11. REPEAT BUTTON |
| 3. P-UP BUTTON | 12. INTRO BUTTON |
| 4. BACK BUTTON | 13. RANDOM BUTTON |
| 5. FUNCTION BUTTON | 14. NEXT BUTTON |
| 6. P-DN BUTTON | 15. BBS BUTTON |
| 7. EQ BUTTON | 16. VOL- BUTTON |
| 8. PLAY/PAUSE BUTTON | 17. VOL+ BUTTON |
| 9. STOP/USB/SD BUTTON | 18. PROGRAM BUTTON |

- Please pull out the plastic paper from the battery door before using the remote control.
- In case the remote control operation becomes unstable or the distance from which the remote control works is shorter; replace the batteries with new ones.
- To use the remote control unit, always point at the REMOTE SENSOR and press the buttons gently and firmly.
- Remote control operations are possible within approximately 18ft (6m). However, since the remote control range shortens when the unit is used at an angle, it is recommended to use it directly in front of the REMOTE SENSOR for a better performance.
- Do not expose the REMOTE SENSOR to strong light (direct sunlight or artificial lighting) and make sure that there are no obstacles between the REMOTE SENSOR and the remote control.

CLOCK ADJUSTMENT

To setup the time of the unit:

1. Connect the AC power cord (The following operation must be done in stand-by mode).
2. Press the TIME/PROGRAM button to enter into time setting mode. The time will flash on the LCD display.
3. Press the BACK or NEXT buttons to select the time format 12h or 24h to adjust the time.
4. After setting the time, press the TIME/PROGRAM button to confirm.
5. Then you can set the hour and the minute with the same method of steps 3-4.
6. After setup the unit time, long press TIME/PROGRAM button to set the time to working automatically, with the same method of steps 3-4.

RADIO FUNCTION

1. Press the FUNCTION button to select the "RADIO" mode.
 2. Tune to the desired station by pressing BACK or NEXT.
Manual Tuning: Press BACK or NEXT and then release within 1 sec.
Auto Tuning: Press the Play/Pause button to enter the automatic channel search mode.
- Preset Channel: (30 preset FM stations)
- (1) Press the BACK or NEXT button to select the desired station.
 - (2) Press the PROGRAM button once and the MEMORY number indicator will begin to flash on the display.
 - (3) Press the PRE-UP or PRE-DN buttons to select the desired station number.
 - (4) Press the PROGRAM button to save the station.
 - (5) Repeat steps (1) to (4) procedures for storing the rest of the stations.
3. After storing the stations, press PRE-UP or PRE-DN to play the selected frequency.
 4. Press [VOL-] or [VOL +] to adjust the volume level.
 5. Extend the telescopic antenna to its full length while listening in FM mode and for better reception.
 6. Turn off the radio by pressing the FUNCTION button. Select any other mode or press the power button to off the unit.
 7. The preset memories will be stored even though the unit is switched off and on.

BLUETOOTH® FUNCTION

Press the FUNCTION button to select Bluetooth mode.

Search for the Bluetooth device “NS-442” on your mobile device. Select the device from your handset in order to establish a connection.

1. Press PLAY/PAUSE button to play or pause playback.
2. Press [VOL-] or [VOL+] to adjust the volume.
3. Press BACK or NEXT to select tracks.

NOTE: The Bluetooth effective receiving distance is about 10 meters (33 feet). Different Bluetooth devices may vary. Please read the instructions carefully before using any Bluetooth device (SMARTPHONE, TABLET, ETC.)

PROGRAM TRACKS IN CD/MP3

1. Press the PROGRAM key while in STOP mode. The PRG icon and P01 will start to blink. This prompts the user to enter the first track in the program playlist.
2. Select the desired tracks by using NEXT or BACK keys. Once done, the display will indicate the selected track.
3. After selecting the desired track, press the PROGRAM key once again to store it in memory. For MP3 discs you can program up to a maximum of 99 tracks while in CD disc a maximum of 20 tracks can be programmed. Repeat steps (2) to (3) for the rest of the tracks.
4. If the STOP key is pressed during the program mode, the selected tracks will be stored in the memory and the unit will return to STOP mode (Continuous Play mode)
5. If the PLAY key is pressed during the program mode, the unit will start the program PLAY mode. Playback will start from P01 track.

Erasing a Program

Follow the below steps to delete a Program:

- While playing, press the STOP button twice.
- Open the CD door
- Select any other mode.

AUX-IN FUNCTION

The NS-442 includes an Aux in jack which enables connection to any external audio device such as MP3, Discman or Walkman.

1. Connect your external audio device to the AUX in of the micro system.
2. Select the function to AUX. Play the music from your audio device to hear it through the speakers. Adjust the volume level to your desire.

NOTE: The Micro system buttons cannot control the external device. All functions must be operated from the external audio device.

NOTE: When the unit idles on CD /AUX/USB/SD mode over 10 minutes, then the unit will switch into standby mode automatically.

CD/MP3 PLAYER FUNCTION

The NS-442 Micro system can playback the following formats: Audio Discs, MP3, CD-R. Do not attempt to play CD-ROM, CDI, VCD, DVD or computer CD's.

1. Press the function button to select CD mode.
2. To open the CD door, press the CD open button.
3. Insert an MP3/CD or CD-R, with the printed side facing up and press the CD door gently to close.
4. Press Play/Pause button on the unit to start playback.
5. Press the pause button to pause at any time.
Press the play button once again to resume playback.
6. Press STOP, to end CD playback.

NOTE: CD/MP3 playback will also stop when:

- You open the CD compartment;
- You select the Radio source;
- The CD/MP3 has reached to the end.

CD/MP3 PLAYER FUNCTION - Continued

Selecting a different track.

During playback you can use the Back or Next buttons to select a particular track. If you have selected a track number while in stop or pause position, press play to start playback. Press next once briefly for the next track, or press repeatedly until the desired track number appears on the display. Press back once briefly to return to the beginning of the current track. Press back twice to access to the previous track.

Finding a passage within a track

1. Press and hold down the back or next button. The CD will move at higher speed.
2. When you recognize the passage you want, simply release the back or next button.

Play back modes: normal, repeat, random.

Normal: Plays the track in normal order.

Repeat 1: Plays the current track continuously.

Repeat all: Plays the entire media continuously.

Repeat album: Plays the tracks in the same folder continuously.

Random: Plays the tracks in random order.

EQ FUNCTION

Press the EQ button on remote to select audio mode as follow: CLASSIC -> ROCK ->POP ->JAZZ -> FLAT.

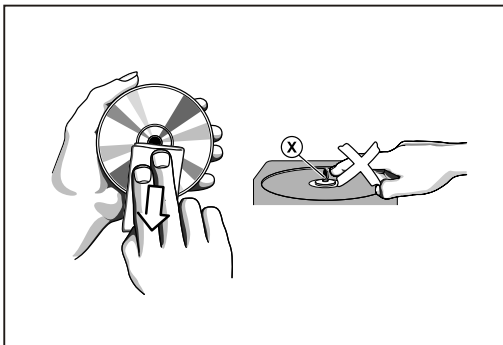
USB FUNCTION

1. Select the USB/SD function to enter USB/SD mode.
2. Press NEXT or BACK to advance or go back.
3. Program up to 99 tracks in MP3 mode.
4. Play Modes: there are 4 different play modes: Normal->Repeat 1-> Repeat all -> Repeat album->
5. A maximum of 99 folders can be read from the USB.
6. Maximum files supported in 1 folder: 999
7. Maximum capacity supported: 32GB

NOTE: The unit does not support any external HDD.

CD PLAYER & CD HANDLING

1. The lens of the CD player should never be touched!
2. Sudden changes in the surrounding temperature can cause condensation to form and the lens of your CD player or cloud over. Playing a CD is then not possible. Do not attempt to clean the lens but leave the set in a warm environment until the moisture evaporates.
3. Always close the CD door to keep the CD compartment dust-free. To clean, dust the compartment with a soft dry cloth.
4. To clean the CD, wipe in a straight line from the center towards the edge using a soft, lint-free cloth.
5. Do not use cleaning agents as they may damage the disc.
6. Never write on a CD or attach any stickers to it.



TROUBLESHOOTING

SYMPTOM	CAUSE	SOLUTION
CD player will not turn on	<ul style="list-style-type: none"> · AC power cord is not connected properly 	<ul style="list-style-type: none"> · Plug the AC cord into the outlet properly
Disc will not play	<ul style="list-style-type: none"> · Disc is inserted incorrectly · Defective compact disc · CD compartment not closed · Moisture condensation on disc 	<ul style="list-style-type: none"> · Reinsert disc with label side facing up · Try another compact disc · Close CD compartment · Wipe disc with soft cloth
Erratic CD playback	<ul style="list-style-type: none"> · Dirty or defective disc 	<ul style="list-style-type: none"> · Clean or replace disc
No sound	<ul style="list-style-type: none"> · Plug not inserted properly · Volume control set to minimum · Defective compact disc · Aux input cable connected 	<ul style="list-style-type: none"> · Reinsert Speaker Plug into Speaker jack · Increase the volume · Try another compact disc · Remove Aux cable from input jack
Noise or Sound distorted on radio	<ul style="list-style-type: none"> · Station not tuned properly for AM or FM · Unit is not positioned correctly 	<ul style="list-style-type: none"> · Retune AM or FM broadcast station · Rotate unit until best reception is obtained

SPECIFICATIONS

Wireless Source: Bluetooth®

Power Requirement: AC 110/220V ~ 50/60Hz

Power consumption: AC 11.5 Watts (MAX)

Dimensions: Approx. 420mm (L) x 210mm (W) x 220mm (H)

Operation temperature: +5 Celsius - +35 Celsius

Radio Tuner: FM

Tuning Range: 87.5-108MHz

FM Radio presets: 30

Optical Pickup: 3-Beam Laser

Frequency Response: 100Hz - 16KHz

Output Power: 2.5 Watt x 2 (MAX)

Headphone Impedance: 4 ~ 32 Ohms

Accessories Included: NS-442, AC Power Cord, Remote Control, User Manual