

naxa®

PLL ALARM CLOCK RADIO

Model : NRC-170



INSTRUCTION MANUAL

Note: Please read and follow these instructions before using your unit.

WARNING

- TO PREVENT FIRE OR SHOCK HAZARD. DO NOT EXPOSE THIS APPLIANCE TO RAIN OR MOISTURE.
- THIS APPLIANCE SHALL NOT BE EXPOSED TO DRIPPING OR SPLASHING WATER AND THAT NO OBJECT FILLED WITH LIQUIDS SUCH AS VASES SHALL BE PLACED ON APPARATUS.



The lightning flash with arrowhead symbol, within an equilateral triangle, is intended to alert the user to the presence of uninsulated "dangerous voltage" within the products enclosure that may be of sufficient magnitude to constitute a risk of electric shock to persons.

CAUTION

**RISK OF ELECTRIC SHOCK
DO NOT OPEN**

Warning: To reduce the risk of electric shock, do not remove cover (or back) on user-serviceable parts inside. Refer servicing to qualified service personnel.



The exclamation point within an equilateral triangle is intended to alert the user to the presence of important operating and maintenance (servicing) instructions in the literature accompanying the appliance.


IMPORTANT SAFETY INSTRUCTIONS

1. Read these instructions.
2. Keep these instructions.
3. Heed all warnings.
4. Follow all instructions.
5. Do not use this apparatus near water.
6. Clean only with dry cloth.
7. Do not block any ventilation openings. Install in accordance with the manufacturer's instructions.
8. Do not install near any heat sources such as radiators, heat registers, stoves, or other apparatus (including amplifiers) that produce heat.
9. Do not defeat the safety purpose of the polarized or grounding-type plug. A polarized plug has two blades with one wider than the other. A grounding type plug has two blades and a third grounding prong. The wide blade or the third prong are provided for your safety. If the provided plug does not fit into your outlet, consult an electrician for replacement of the obsolete outlet.
10. Protect the power cord from being walked on or pinched particularly at plugs, convenience receptacles, and the point where they exit from the apparatus.
11. Only use attachments/accessories specified by the manufacturer.
12. Use only with the cart, stand, tripod, bracket, or table specified by the manufacturer, or sold with the apparatus. When a cart is used, use caution when moving the cart/apparatus combination to avoid injury from tip-over.

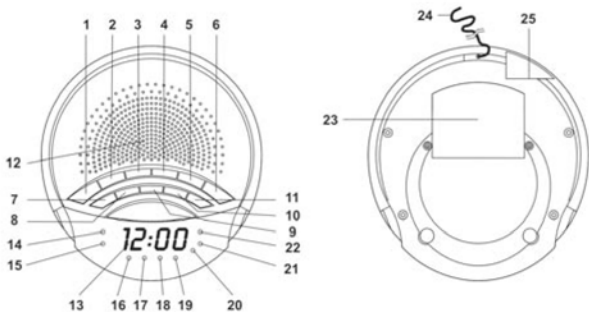


i.

13. Unplug this apparatus during lightning storms or when unused for long periods of time.

14. Refer all servicing to qualified service personnel. Servicing is required when the apparatus has been damaged in any way, such as power-supply cord or plug is damaged, liquid has been spilled or objects have fallen into the apparatus, the apparatus has been exposed to rain or moisture, does not operate normally, or has been dropped.
15. Grounding or Polarization – This product may be equipped with a polarized alternating-current line plug (a plug having one blade wider than the other). This plug will fit into the power outlet only one way. This is a safety feature. If you are unable to insert the plug fully into the outlet, try reversing the plug. If the plug should still fail to fit, contact your electrician to replace your obsolete outlet. Do not defeat the safety purpose of the polarized plug.
 - a. Alternate Warnings - This product is equipped with a three-wire grounding-type plug, a plug having a third (grounding) pin. This plug will only fit into a grounding-type power outlet. This is a safety feature. If you are unable to insert the plug into the outlet, contact your electrician to replace your obsolete outlet. Do not defeat the safety purpose of the grounding-type plug.
 - b. Ventilation – Slots and openings in the cabinet are provided for ventilation and to ensure reliable operation of the product and to protect it from overheating, and these openings must not be blocked or covered. The openings should never be blocked by placing the product on a bed,
 - c. sofa, rug, or other similar surface. This product should not be placed in a built-in installation such as a bookcase or rack unless proper ventilation is provided or the manufacturer's instructions have been adhered to.
 - d. The MAINS plug or an appliance coupler is used as the disconnect device, the disconnect device shall remain readily operable.
16.  CLASS II apparatus with double insulation, and no protective earth provided.

QUICK REFERENCE



1. **SOURCE/AL. OFF**
 - Use this button to select AM or FM band.
 - Use this button to turn the ALARM off after Alarm activates.
2. **TIME/MEM/M+**
 - Use this button to set the clock
 - Use this button to store radio stations in the memory.
 - Use this button to select the stored radio stations in the memory.
3. **VOL- / AL2**
 - Use this button to decrease the volume.
 - Use this button to set the alarm time in ALARM 2.
4. **VOL+ / AL1**
 - Use this button to increase the volume.
 - Use this button to set the alarm time in ALARM 1
5. **TUN - / MIN**
 - Use this button to search the radio station in backward direction.
 - Use this button to adjust the minute in CLOCK or ALARM time.
6. **TUN + / HR**
 - Use this button to search the radio station in forward direction.
 - Use this button to adjust the hour in CLOCK or ALARM time.
7. **SNOOZE / SLEEP**
 - Use this button to temporarily suspend the ALARM for a short period.
 - Use this button to set the sleep time.
8. **PM INDICATOR**
 - This indicator shows that the time display is PM
9. **AL1-B INDICATOR**
 - This indicator shows that the unit is in ALARM-1 buzzer mode.
10. **AL1-R INDICATOR**
 - This indicator shows that the unit is in ALARM-1 radio mode.
11. **AL2-B INDICATOR**
 - This indicator shows that the unit is in ALARM-2 buzzer mode.

12. **AL2-R INDICATOR**
 - This indicator shows that the unit is in ALARM-2 radio mode.
13. **LED DISPLAY**
 - Display for the Clock and the Radio frequency.
14. **SPEAKER**
 - Sound output.
15. **FM WIRE ANTENNA**
 - Extend this wire antenna to obtain better FM broadcasting.
16. **DC JACK**
 - Connect the unit to the AC/DC adaptor.
17. **BATTERY COMPARTMENT**
 - Compartment for the back-up battery.

CONNECTING THE UNIT TO POWER

Plug one end of the AC adaptor into the DC power Input, and then plug the other end into AC wall outlet. Before switching on the unit, make sure that the voltage of your electricity supply is the same as that indicated on the rating plate.

BATTERY BACKUP

Insert two pieces UM-3 batteries into the battery compartment. Be sure to observe the proper polarity (the "+" and "-" signs) as indicated inside the battery compartment.

In case of power failure or interrupted AC power, the current time and alarm time settings, the stored radio stations are preserved in the memory of the unit by means of battery back-up function.

SETTING THE CLOCK

1. With the unit in CLOCK mode, press and hold the TIME/MEM/M+ button for about 1 second, the time will begin to flash on the LED display.
2. Press the TUN+/HR button to adjust the hour.
3. Press the TUN-/MIN button to adjust the minute.
4. When the correct time is selected, press the TIME/MEM/M+ button again to confirm.

SETTING THE ALARMS

1. With the unit in CLOCK mode, press the VOL+/AL1 or VOL-/AL2 button. The ALARM time will begin to flash on the LED display.
2. Press the TUN+/HR button to adjust the alarm hour.
3. Press the TUN-/MIN button to adjust the alarm minute.
4. When the correct time is selected, press the VOL+/AL1 or VOL-/AL2 button to confirm.
5. Press the VOL+/AL1 or VOL-/AL2 to select the ALARM sound mode - buzzer or currently set radio station. The alarm buzzer or radio indicator will light up.

SNOOZE FUNCTION

1. Whenever the alarm (radio or buzzer) activates, it can be temporarily suspended for a short period of 9 minutes by pressing the SNOOZE/SLEEP button once.
2. The buzzer or radio will then automatically activate again after the 9 minutes SNOOZE period has ended.
3. This procedure can be repeated for up to approximately one hour.

TURN OFF THE ALARM

When the Alarm activate, press the SOURCE/AL.OFF button to turn off the Alarm.

LISTENING TO THE AM/FM RADIO

1. Press the SOURCE/AL.OFF button to select AM or FM band
2. Press the TUN+/HR or TUN-/MIN buttons step by step to tune to the desired radio stations.
3. Press and hold the TUN+/HR or TUN-/MIN buttons for approx. 1 second, it will start to search the next radio station in the direction of the search. The search operation simply finds stations with strong signals. Stations with weak reception can only be tuned in manually.

ANTENNA

For best reception, fully extend the FM wire antenna to receive FM stations. For AM reception, the unit has a built-in antenna, turn the whole unit for best reception.

SAVING A RADIO STATION TO THE MEMORY

1. Tune the radio to the desired station.
2. Press and hold the TIME/MEM/M+ button for approx.. 1 second, it will store this radio station in the memory.
3. Up to 10 AM and 10 FM radio stations can be stored in the memory.

TO LISTEN TO A SAVED RADIO STATION

1. Press the SOURCE/AL. OFF button to select AM or FM band.
2. Press the TIME/MEM/M+ button to select the stored radio station.

SLEEP TO MUSIC FUNCTION

1. This function allows you to listen to the radio while you fall asleep.
2. Press the SNOOZE/SLEEP button, the display will show the default sleep time of 90 minutes and the SLEEP indicator will start to flash.
3. Press the SLEEP button again to adjust the desired sleep time.
4. Now you can enjoy listening to the radio for the pre-set period of sleep time.
5. After this pre-set time has elapsed, the unit will switch off automatically.

SPECIFICATIONS

Frequency Range:	AM 535 - 1710 KHz FM 88 – 108 MHz
Power Supply:	AC 110V ~ 60 Hz
Back-Up Battery:	2 pc. UM3 'AA' size

Specifications are subject to change without prior notice.