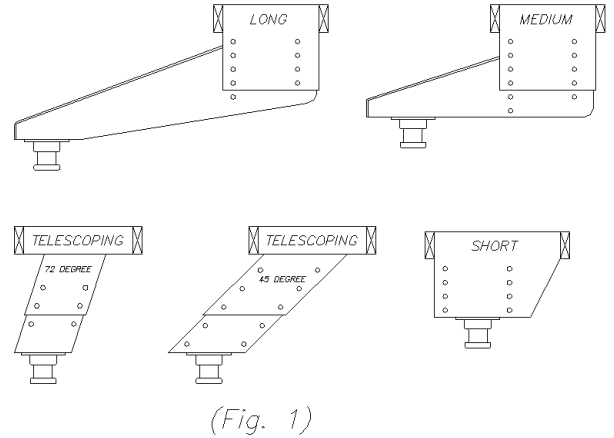


MOR/ryde Pin Box Identification Guide



What type of Pin Box do you have?

- A. Look on the pin box to locate the manufacturer's label. Common manufacturers are: Atwood, Fabex, Leland, Lippert, RBW, Venture and Young's Welding.
Mfg : _____
- B. After locating the label, locate the model/part number.
Example: Leland P/N AF 7910. P/N : _____
- C. If a manufacturer's label can not be located, get the last six digits of the coach serial number, call the coach manufacturer and ask them what make and model pin box was installed on your coach.
- D. If you are unsuccessful in acquiring the information above get the following measurements and a MOR/ryde representative will help in determining which pin box you need.



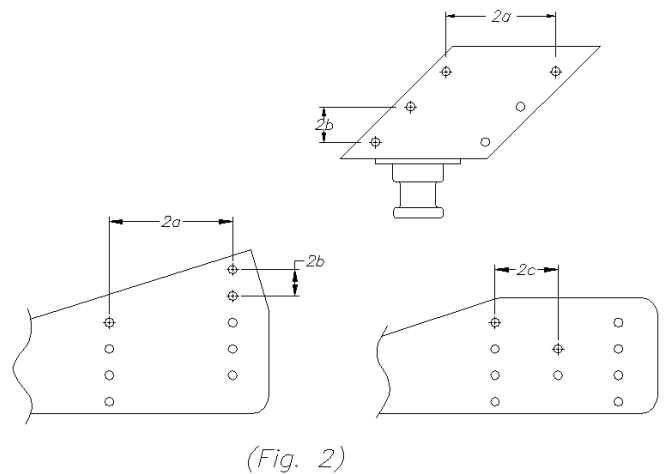
Pin Box Measurements

1. What style of pin box do you have? (Fig. 1) (circle one)

Long, Medium, Telescoping (34°/45°/72°), Short

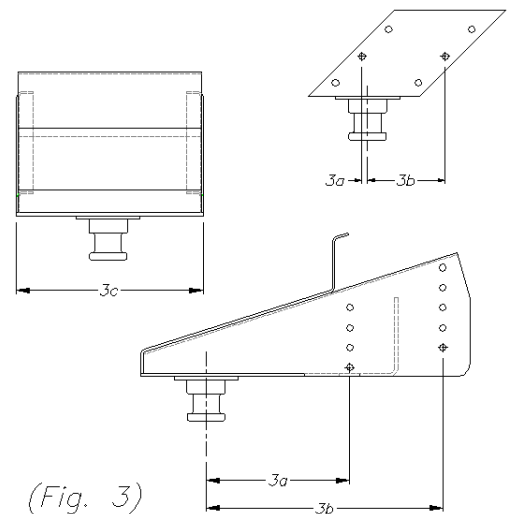
2. Measure the bolt hole pattern. (Fig. 2)

- _____ 2a: Horizontal distance between the rows of bolts, measure from hole center to hole center.
 _____ 2b: Vertical distance from hole center to hole center.
 _____ 2c: If there are three rows of bolt holes, measure horizontal distance from hole center to hole center.
 _____ 2d: Bolt size.
 _____ 2e: Bolt head size.
 _____ 2f: Number of bolts per side.



3. Measure king pin center. (Fig. 3)

- _____ 3a: Measure from center of the front row of bolts to the centerline of the king pin. The telescoping and short style pin boxes may have the king pin located behind the front row of bolts. If the hole pattern is at an angle, use the centerline of the second lowest front hole to measure to the center of the king pin in the retracted position.
 _____ 3b: Measure from center of the rear row of bolt to centerline of the king pin.
 _____ 3c: Measure the overall width of the pin box.



4. Double check your measurements.

- _____ 3b - 3a = 2a Note: 3a is negative when the king pin is behind the first row of holes.

MOR/ryde Pin Box Identification Guide

MOR/ryde Rubber Pin Box (RPB) Measurement Chart

Identification Guide Questions		1	2a	2b	2c	2d	2e	2f	3a	3b	3c
MOR/ryde Pin Box	Replaces OEM	Style	Horz. Dist.	Vert. Dist.	Center Dist.	Bolt Size	Bolt Head Size	Bolts/side	Front row to KP	Back row to KP	Pin Box Width
RPB72-221002300	Dexter 221-0023-00	Long	7	1 1/2	N/A	1/2	3/4	6	18 7/16	25 7/16	14
RPB72-2210031	Dexter 221-0031	Long	7	1 1/2	N/A	1/2	3/4	6	18 5/8	25 5/8	12
RPB72-2210037	Dexter 221-0037	Long	7	1 1/2	N/A	5/8	15/16	6	18 5/8	25 5/8	14
RPB72-500	Fabex 500	Long	9 1/2	N/A	N/A	5/8	15/16	2	20	29 1/2	12 1/2
	Fabex 503	Long	9 1/2	2 1/2	N/A	5/8	15/16	2	18	27 1/2	12 1/2
RPB72-665	Fabex 665	Long	7 7/8	2	N/A	1/2	3/4	4	18	25 7/8	12
RPB72-765*	Fabex 765	Long	9 1/2	2	4 3/4	5/8	15/16	3	19 3/4	29 1/4	12 1/2
RPB72-770*	Fabex 770	Long	9 1/2	2	4 3/4	5/8	15/16	3	16 3/4	26 1/4	12 1/2
RPB72-7920*	Leland 7920	Long	7	1 1/2	N/A	1/2	3/4	6	18 7/16	25 7/16	14
RPB72-7930	Leland 7930	Long	6	1 1/2	N/A	5/8	15/16	5	18 3/8	24 3/8	7 7/8
RPB72-1621/HD*/SHD	Lippert 1621	Long	7 7/8	2	N/A	5/8	15/16	5	17 3/4	25 5/8	12
RPB72-1621SHD-TA	Trailair L05	Long	7 7/8	2	N/A	5/8	15/16	6	19 3/4	27 5/8	12
RPB72-1716	Lippert 1716	Long	8 3/4	2 1/2	4 3/8	5/8	15/16	6	20 3/8	29 1/8	12 1/2
	RBW 7028	Long	9 1/2	2 1/2	N/A	5/8	15/16	2	20	29 1/2	12 1/2
RPB72-VL	Venture CJ13515, CJ13517	Long	8	1 1/2	N/A	1/2	3/4	6	18 1/2	26 1/2	12
RPB72-YWL	Youngs Welding	Long	9	3	N/A	3/4	1 1/8	4	19 3/4	28 3/4	12
RPB72-SEITZL18K	Seitz 18k	Long	9 1/2	2 1/2	N/A	3/4	1 1/8	4	19 1/2	29	12
RPB72-520	Fabex 520	Med.	9 1/2	2 1/2	N/A	5/8	15/16	2	13 3/8	22 7/8	12 1/2
	Fabex 530	Med.	9 1/2	2 1/2	N/A	5/8	15/16	2	11	20 1/2	12 1/2
RPB72-663	Fabex 663	Med.	7 15/16	2	N/A	1/2	3/4	6	9 3/16	17 1/8	12
RPB72-730	Fabex 730	Med.	9 1/2	2	4 3/4	5/8	15/16	3	8 3/4	18 1/4	12 1/2
RPB72-7910	Leland 7910	Med.	7	1 1/2	N/A	1/2	3/4	6	9 3/8	16 3/8	14
RPB72-1116*	Lippert 1116	Med.	8 3/4	2 1/2	4 3/8	5/8	15/16	6	14 1/2	23 1/4	12 1/2
RPB72-0719*	Lippert 0719	Med.	7 7/8	2	N/A	5/8	15/16	5	9	16 7/8	12
	RBW 7019	Med.	9 1/2	2	N/A	5/8	15/16	2	13	20 1/8	12 1/2
RPB72-VM	Venture CJ13515, CJ13517	Med.	8	1 1/2	N/A	1/2	3/4	6	10 5/8	18 5/8	12
RPB72-YWM	Youngs Welding	Med.	9	3	N/A	3/4	1 1/8	4	7 3/4	16 3/4	12
RPB72-QFFM888	Quality Frames & Fab	Med.	7 7/8	2	N/A	1/2	3/4	8	8 7/8	16 3/4	12
RPB72-AB34	Atwood AB-34 HD	34	9	2	N/A	1/2	3/4	4	1	10	12
RPB72-AB72	Atwood AB-72	72	7 7/8	2	N/A	1/2	3/4	4	-2 9/16	5 5/16	12
RPB72-316*	Fabex 300, 314, 316	45	7 1/8	2 1/16	N/A	5/8	15/16	5	- 1/8	7	8
RPB72-315	Fabex 315	45	7 1/16	2 1/8	N/A	5/8	15/16	5	- 1/8	6 15/16	9
RPB72-330	Fabex 330	45	7 1/8	2 1/16	N/A	5/8	15/16	5	11 9/16	18 11/16	9 1/8
RPB72-316*	Lippert 0516	45	7 1/8	2 1/16	N/A	5/8	15/16	5	- 1/8	7	8
RPB72-7016	RBW 7016-2P	72	7 3/16	1 15/16	N/A	3/4	1 1/8	2	- 7/8	6 1/4	12
RPB72-7027	RBW 7027	45	7 1/8	2 1/16	N/A	1/2	3/4	5	- 1/8	7	8
RPB72-YW45	Youngs Welding	45	7 11/16	2 7/8	N/A	5/8	15/16	4	1 5/16	9	8
RPB72-560	Fabex 560	Short	9 1/2	N/A	4 3/4	5/8	15/16	3	1 1/2	11	12 1/2
RPB72-660	Fabex 660	Short	7 7/8	2	N/A	1/2	3/4	6	-3 15/16	3 15/16	12
RPB72-7900	Leland 7900	Short	7	1 1/2	N/A	1/2	3/4	6	-3 1/2	3 1/2	14
RPB72-0115	Lippert 0115	Short	8 3/4	2 1/2	4 3/8	5/8	15/16	6	2 1/4	11	12 1/2
	Venture	Short	8	1 1/2	N/A	1/2	3/4	6	-4	4	12
RPB72-6640-1	Youngs Welding 6640-1	Short	10	3	N/A	5/8	15/16	4	4 7/8	14 7/8	8 1/2
RPB72-52751	Youngs Welding 52751	Short	10	3	N/A	5/8	15/16	4	2 5/8	12 5/8	14
RPB72-YW0	Youngs Welding	Short	5 1/2	3	N/A	9/16	13/16	4	-2 3/4	2 3/4	8

*Meets CSA testing requirements; RPB72-316 meets CSA requirements for 18,000lb rating.

**Adapter kit RPB77-001 is required for MOR/ryde RPB to be used with PullRite SuperGlide hitch.



PIN BOX FIT CHART

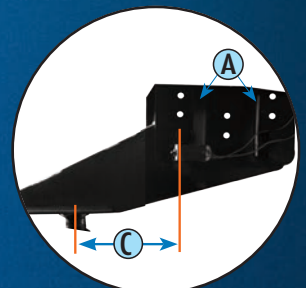
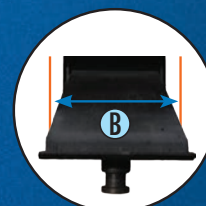
Cross Reference Guide		Order according to GVWR of the trailer, not the GVW of the pin box.*				MORryde Pin Box Rating
MFG	MODEL#	11,500 or less	11,501 - 14,000	14,001 - 18,000	18,001 & over	
Lippert	1621, SHD-TA			RPB72-1621SHD-TA-05	RPB72-1621SHD-TA-06	24k
Lippert	1621, HD, SHD	RPB72-1621HD-03	RPB72-1621HD-04	RPB72-1621HD-05	RPB72-1621SHD-06	23k
Lippert	1716	RPB72-1716-03	RPB72-1716-04	RPB72-1716-05		18k
Lippert	1116	RPB72-1116-03	RPB72-1116-04	RPB72-1116-05	RPB72-1116-06	19k
Lippert	0719	RPB72-0719-03	RPB72-0719-04	RPB72-0719-05		15.5k
Lippert	0516	RPB72-316-03	RPB72-316-04	RPB72-316-05	RPB72-316-06	CSA at 18k
Lippert	0115	RPB72-0115-03	RPB72-0115-04	RPB72-0115-05		16.4k
Leland	7920, 7921	RPB72-221002300-03	RPB72-221002300-04	RPB72-221002300-05		19k
Leland	7930	RPB72-7930-03				10k
Leland	7910	RPB72-7910-03	RPB72-7910-04	RPB72-7910-05		18k
Leland	7900	RPB72-7900-03	RPB72-7900-04	RPB72-7900-05		15k
Fabex	500	RPB72-500-03	RPB72-500-04	RPB72-500-05		15k
Fabex	503	RPB72-503-03	RPB72-503-04	RPB72-503-05		15k
Fabex	665	RPB72-665-03	RPB72-665-04	RPB72-665-05		15k
Fabex	765	RPB72-765-03	RPB72-765-04	RPB72-765-05	RPB72-765-06	21k
Fabex	770	RPB72-770-03	RPB72-770-04	RPB72-770-05	RPB72-770-06	21k
Fabex	520	RPB72-520-03	RPB72-520-04	RPB72-520-05		15k
Fabex	663	RPB72-663-03	RPB72-663-04	RPB72-663-05		15k
Fabex	730	RPB72-730-03	RPB72-730-04	RPB72-730-05	RPB72-730-06	21k
Fabex	300,314,316	RPB72-316-03	RPB72-316-04	RPB72-316-05	RPB72-316-06	CSA at 18k
Fabex	315	RPB72-315-03	RPB72-315-04	RPB72-315-05	RPB72-315-06	N/A
Fabex	330	RPB72-330-03	RPB72-330-04			13k
Fabex	560	RPB72-560-03	RPB72-560-04	RPB72-560-05		15k
Fabex	660	RPB72-660-03	RPB72-660-04	RPB72-660-05	RPB72-660-06	24k
Venture	Long	RPB72-VL-03	RPB72-VL-04	RPB72-VL-05		17k
Venture	Med	RPB72-VM-03	RPB72-VM-04	RPB72-VM-05		15k
Youngs Welding	Long	RPB72-YWL-03	RPB72-YWL-04	RPB72-YWL-05	RPB72-YWL-06	19.5k
Youngs Welding	Medium	RPB72-YWM-03	RPB72-YWM-04	RPB72-YWM-05	RPB72-YWM-06	19.5k
Youngs Welding	45 degree	RPB72-YW45-03	RPB72-YW45-04	RPB72-YW45-05		16k
Youngs Welding	6640-1	RPB72-6640-1-03	RPB72-6640-1-04			12k
Youngs Welding	52751	RPB72-52751-03	RPB72-52751-04	RPB72-52751-05	RPB72-52751-06	N/A
Youngs Welding	Short	RPB72-YW0-03	RPB72-YW0-04	RPB72-YW0-05	RPB72-YW0-06	16.4k
RBW	7019	RPB72-7019-03				10k
RBW	7016-2P	RPB72-7016-03	RPB72-7016-04	RPB72-7016-05		15k
RBW	7027	RPB72-7027-03	RPB72-7027-04			12k
Atwood	AB-34 HD	RPB72-AB34-03	RPB72-AB34-04	RPB72-AB34-05	RPB72-AB34-06	N/A
Atwood	AB-72	RPB72-AB72-03	RPB72-AB72-04	RPB72-AB72-05		18k
Dexter	221-0023-00	RPB72-221002300-03	RPB72-221002300-04	RPB72-221002300-05	RPB72-221002300-06	19k
Dexter	221-0031	RPB72-2210031-03	RPB72-2210031-04	RPB72-2210031-05		16k
Dexter	221-0037	RPB72-2210037-03	RPB72-2210037-04	RPB72-2210037-05	RPB72-2210037-06	21k

Note: RPB72-221002300 fits Leland 7920/7921/7925/7926 & 221002300

TO ORDER A MORryde PIN BOX SYSTEM PLEASE IDENTIFY THE FOLLOWING:

- The Part Number of the stock pin box (usually found on a label on the pin box)
- The GVWR of the trailer: MORryde has a specific rubber spring for different weight ratings

OR If the stock part number is not available, determine the bolt pattern (A), width (B), and distance from center of king pin to center of first row of bolts (C), then visit MORryde.com and search for the Rubber Pin Box identification guide to convert these measurements into a MORryde part number.



* GVWR above are general guidelines and may not directly correlate to shear spring density

Discover other Trailer Hitches on our website.