



Above. Beyond. Always.

# Easy Reel™ Spooler

## INSTRUCTION MANUAL

REEL56-001H



REEL56-002H



REEL56-004H



REEL56-009H

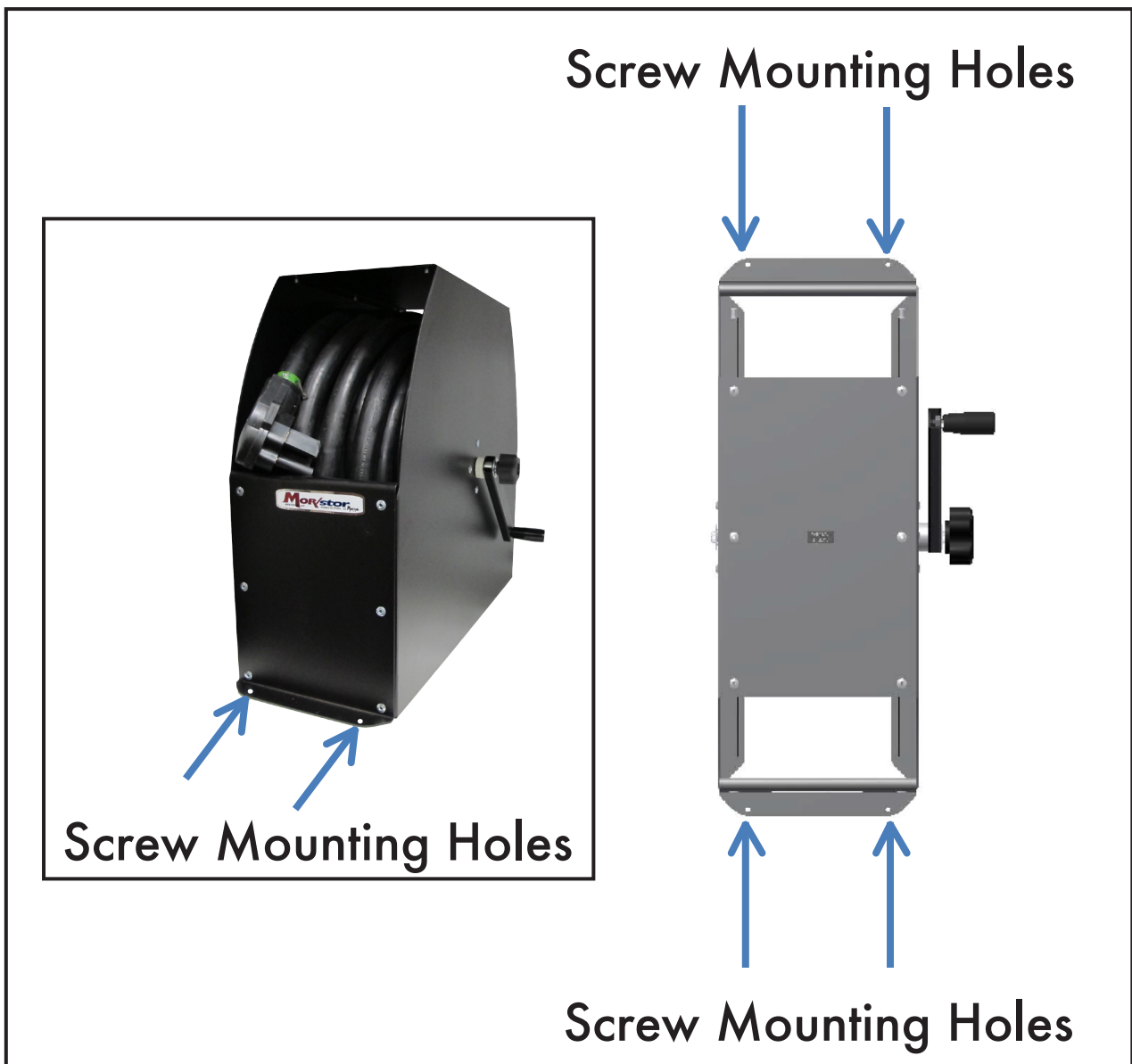


# Easy Reel™ Spooler by MORryde

## Installation Instructions

1. Using the wood screws provided, install your Easy Reel™ Spooler in the desired location by screwing into your wood sub-floor through the 4 mounting hole locations (8 mounting hole locations for the REEL56-009H) on your Easy Reel™ Spooler (see Fig. 1 below).
2. If your floor is not wood, please contact MORryde for installation recommendations.

Fig. 1 : Top Down View



# Easy Reel™ Spooler by MORryde

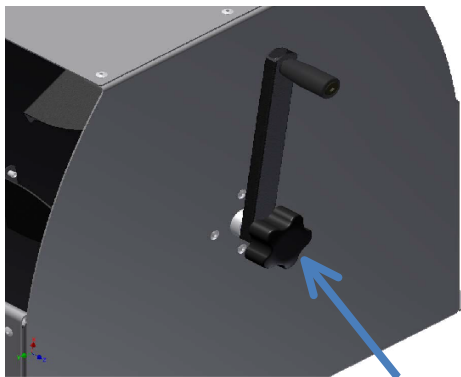
## Instructions for Use

### Detachable 30/50 Amp Cord\*

#### STORING YOUR CORD

1. Loosen the resistance brake on the handle of your Easy Reel™ Spooler by turning the knob counterclockwise enough to allow your reel to freely rotate without any resistance (see Fig. 2 below).
2. Insert the socket end of the detachable cord into one of the holes in the center of your Easy Reel™ Spooler and slide the cord to either the right or left side of the inner spool (see Fig. 3 below).
3. While holding the cord in one hand begin winding the cord using the Easy Reel™ Handle. Guide the cord from side-to-side as you coil the cord. **Tip:** Holding a rag in the hand that guides the cord will help clean to cord as you store it in your spooler.
4. Once the cord is fully stored, tighten the resistance brake on the handle of your Easy Reel™ Spooler by turning clockwise to keep the cord from unwinding during transit. This will also provide resistance, allowing for smooth removal (see Removing your cord below).

Fig. 2



Resistance Brake

Fig. 3



Center Feed

#### REMOVING YOUR CORD

1. Keeping the resistance brake on the handle of your Easy Reel™ Spooler tight, pull the detachable cord completely out. **Tip:** Failure to keep the resistance brake tight when removing the cord may result in a “backlash” of your cord causing it to get temporarily stuck in your Easy Reel™ Spooler. If this happens simply turn the handle of your spooler to re-spool the cord while holding the cord with your opposite hand. This will help tighten the cord around the spool. Once the cord is tight, engage the resistance brake on the handle. This will allow you to then easily remove the cord.
2. Use your detachable cord as directed by the manufacturer.

\*REEL56-009H will only store 30 ft. of cord

# Easy Reel™ Spooler by MORryde

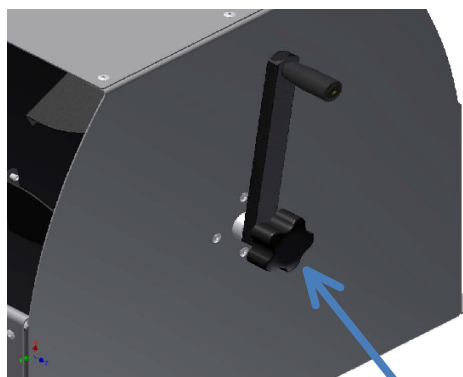
## Instructions for Use

### Hard Wired 30/50 Amp Cord\*

#### STORING YOUR CORD

1. Loosen the resistance brake on the handle of your Easy Reel™ Spooler by turning the knob counterclockwise enough to allow your reel to freely rotate without any resistance (see Fig. 4 below).
2. Insert the plug end of the cord into one of the holes in the center of your Easy Reel™ Spooler from the front of the box and slide the cord to either the right or left side of the inner spool (see Fig. 5 below).
3. While holding the cord in one hand begin winding the cord using the Easy Reel™ Handle, guiding the cord from side-to-side as you coil the cord. **Tip:** Holding a rag in the hand that guides the cord will help clean to cord as you store it in your spooler.
4. Once as much of the cord that can be stored is fully stored, tighten the resistance brake on the handle of your Easy Reel™ Spooler by turning clockwise to keep the cord from unwinding during transit. This will also provide resistance, allowing for a smoother removal (see Removing Your Cord below).

Fig. 4



Resistance Brake

Fig. 5



Center Feed

#### REMOVING YOUR CORD

1. Keeping the resistance brake on the handle of your Easy Reel™ Spooler tight, pull the cord completely out. **Tip:** Failure to keep the resistance brake tight when removing the cord may result in a “backlash” of your cord causing it to get temporarily stuck in your Easy Reel™ Spooler. If this happens simply tighten the cord using the handle of your spooler while holding the cord to tighten the cord around spool.
2. Use your cord as directed by the manufacturer.

\*REEL56-009H will only store 30 ft. of cord