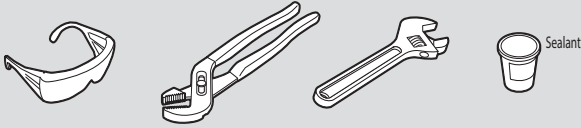




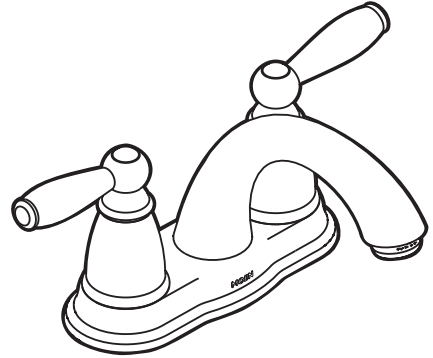
Buy it for looks. Buy it for life.®

HELPFUL TOOLS

For safety and ease of faucet replacement, Moen recommends the use of these helpful tools.



Installation Guide



TWO HANDLE, 4-INCH CENTER SET BATHROOM FAUCET

Style varies by model.



CAUTION — TIPS FOR REMOVAL OF OLD FAUCET:

Always turn water supply OFF before removing existing faucet or disassembling the valve. Open faucet handle to relieve water pressure and ensure that complete water shut-off has been accomplished.

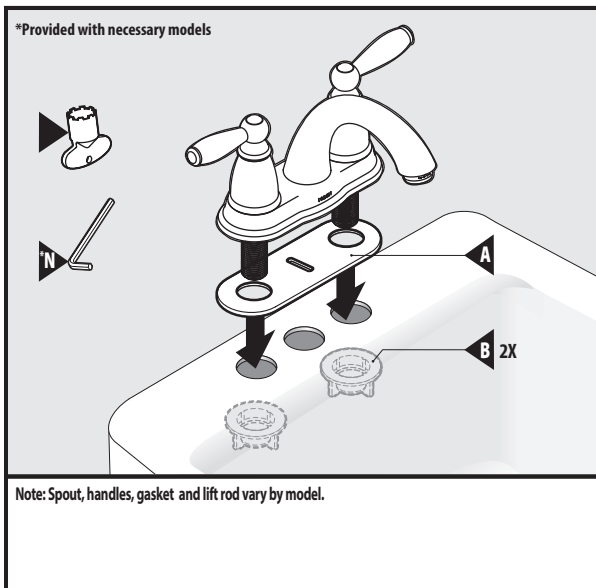
Icon Legend



Above sink

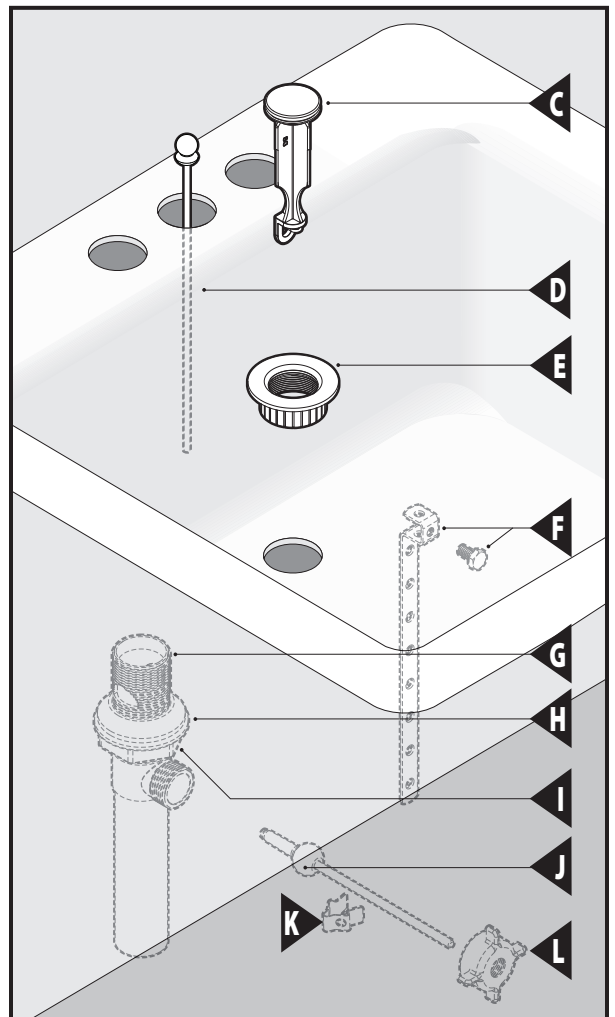


Below sink



Parts List

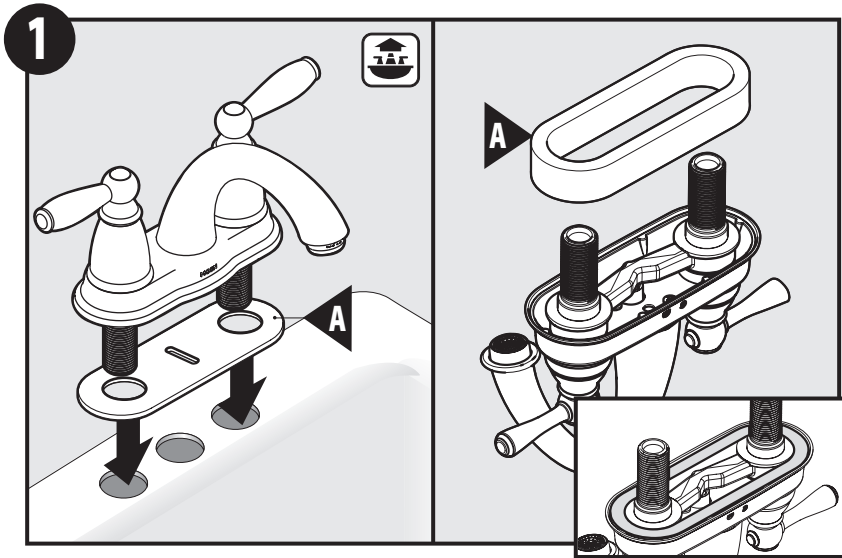
- | | |
|-----------------------------|--------------------------|
| A. Gasket | I. Drain Nut |
| B. Mounting Nut (x2) | J. Pivot Rod |
| C. Plug | K. Pivot Rod Clip |
| D. Lift Rod | L. Pivot Rod Nut |
| E. Waste Seat | M. Aerator Tool |
| F. Lift Rod Strap | N. Hex Wrench |
| G. Drain Body | |
| H. Drain Gasket | |



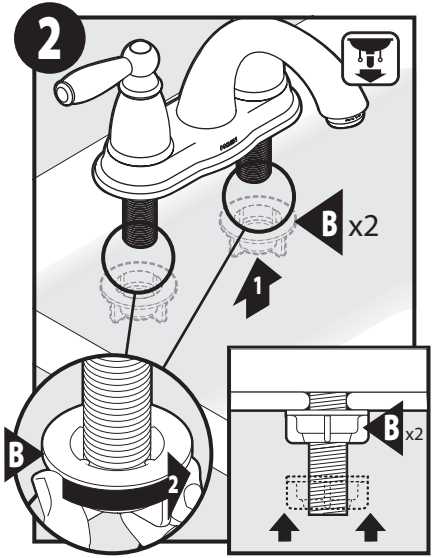
CLEANING INSTRUCTIONS

Spot Resist™ Stainless and Spot Resist™ Brushed Nickel Finishes:

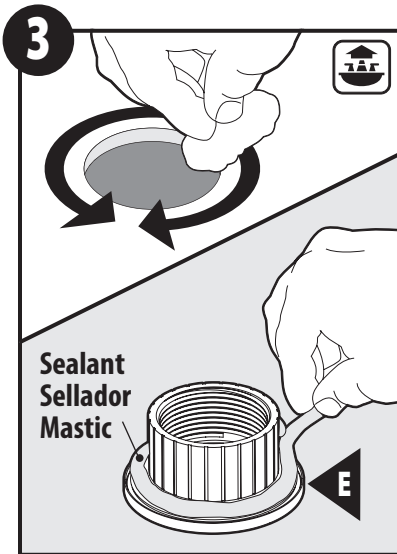
Moen recommends cleaning the Spot Resist finish with a mild soap, rinsing thoroughly with warm water and drying with a clean, soft cloth. Never use cleaners containing abrasives (including abrasive sponges or steel wool), ammonia, bleach or sodium hypochlorite, organic solvents (e.g. alcohols) or other harsh chemicals (e.g. lime scale removers) to clean the Spot Resist finish, as they may damage the finish. Failure to comply with these cleaning instructions may void Moen's warranty.



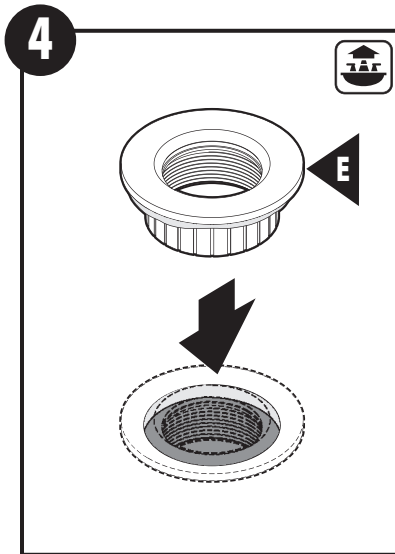
After removal of old faucet, clean and dry the sink surface. Install faucet with gasket (A). Some gaskets are preinstalled and shape will vary by product.



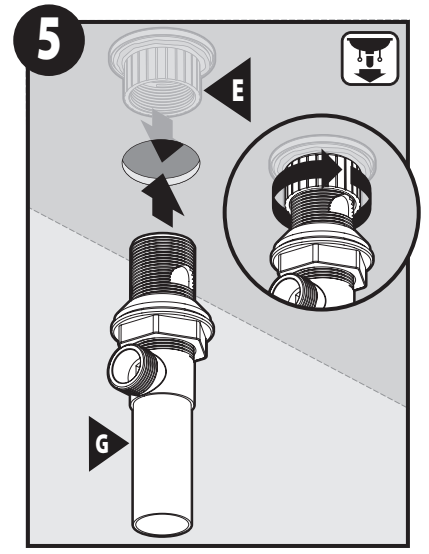
Attach the mounting nuts (B) to the hot and cold threaded mounting shanks and tighten faucet to sink.



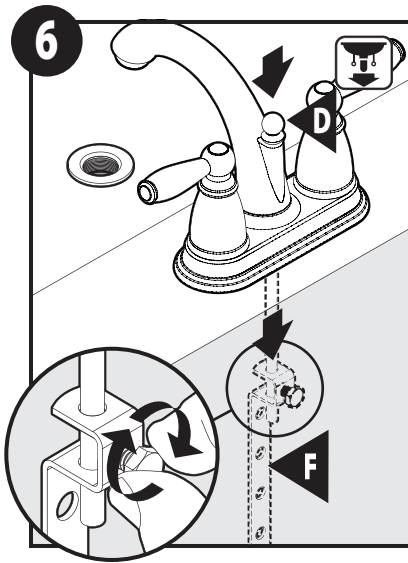
Clean drain opening in the bottom of sink. Apply a generous amount of sealant to the underside of the waste seat (E).



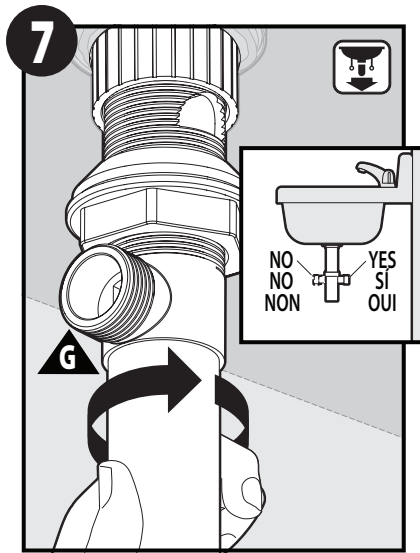
Turn waste seat over and place in opening of the sink.



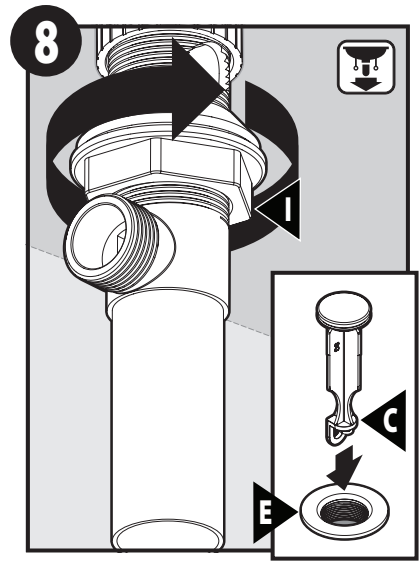
From the underside of the sink, thread the drain body (G) into the waste seat (E).



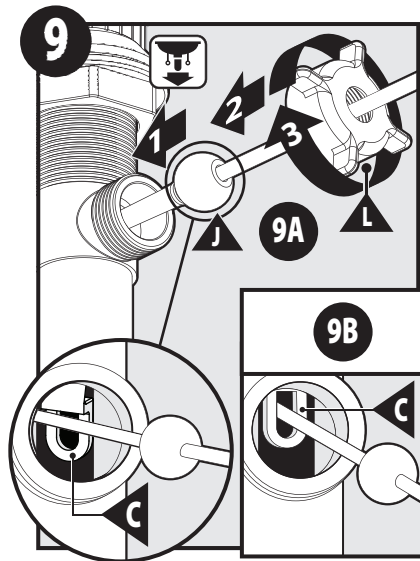
Install lift rod (D) into opening on the top of the faucet. Slide the lift rod strap (F) onto lift rod and tighten the bolt finger tight. Final tightening will be completed during Step 11.



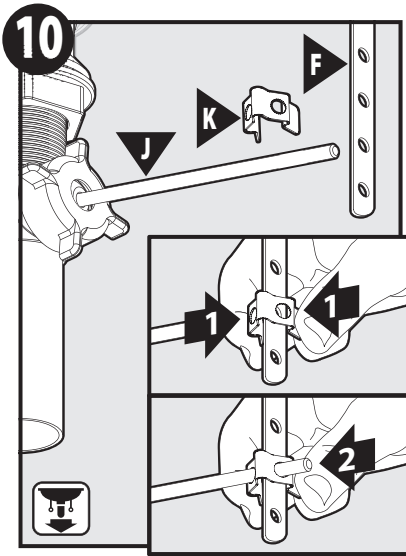
Rotate pivot rod opening on side of drain body (G) to face towards wall as illustrated.



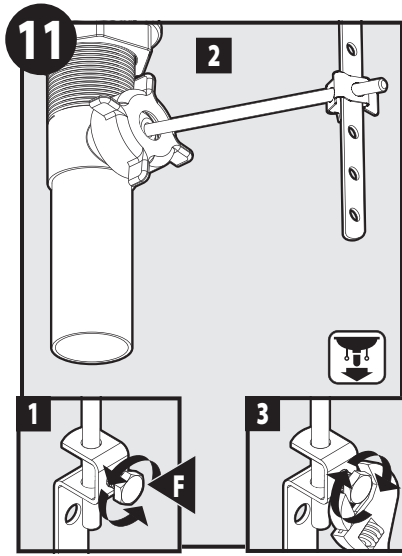
Tighten drain nut (I) and drop plug (C) into waste seat (E) as shown.



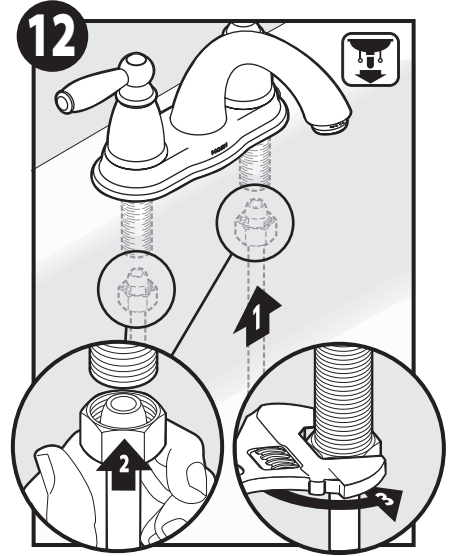
The pivot rod (J) can be installed in two ways. Illustration (9A) shows the pivot rod (J) next to hole in plug (C). This allows the plug (C) to be pulled out for cleaning. Illustration (9B) shows the pivot rod (J) inserted into the hole in the plug (C). This prevents the plug (C) from being easily removed after installation. Once the pivot rod is installed (9A or 9B), tighten the pivot rod nut (L).



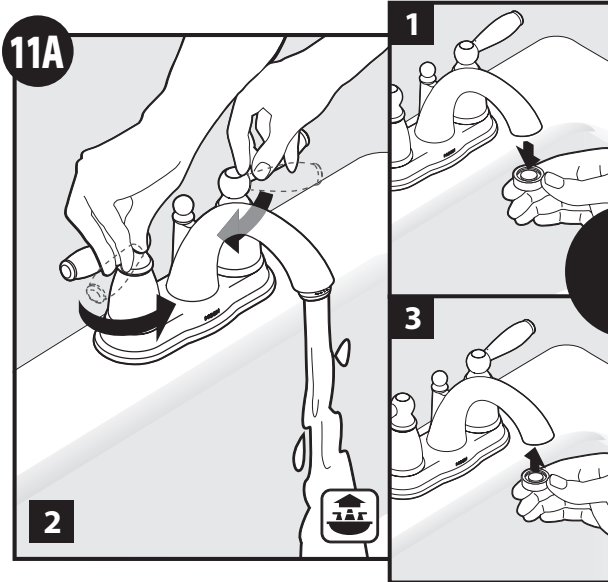
Push pivot rod (J) down. Slide one side of clamp (K) onto pivot rod. Insert pivot rod through closest hole on strap (F) with pivot rod down. Squeeze clamp and slide other side of clamp onto the pivot rod.



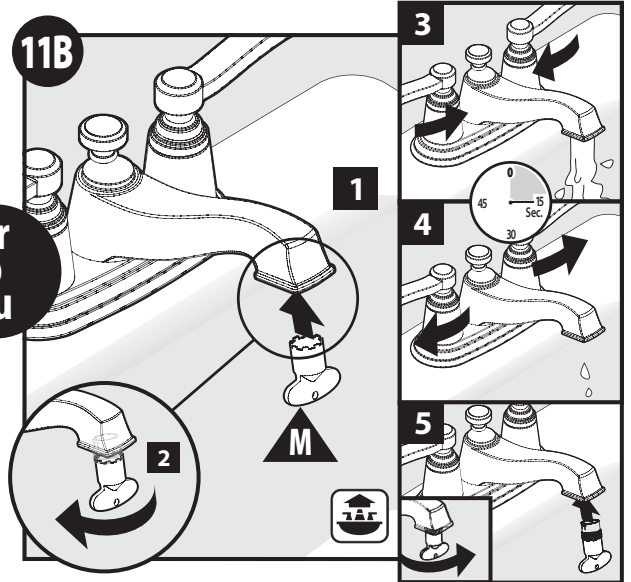
1. Loosen nut on strap (F) to allow lift rod to rest in faucet.
2. Verify pivot rod is still pushed down, and plug is open.
3. Tighten bolt with wrench.



Attach supply lines (not included). Do not overtighten. Turn water back on.



or
or
ou

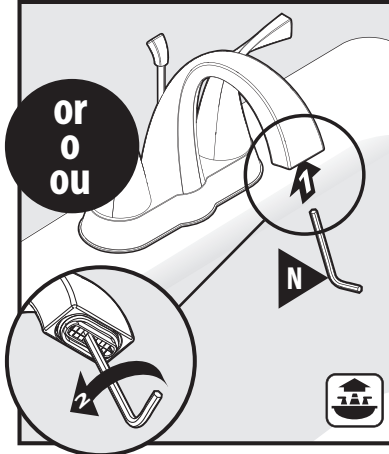


To flush debris from the plumbing system: Remove the aerator by unthreading by hand or by using the included aerator tool (M) provided with select models. Run hot and cold water for 15 seconds. Replace the aerator.

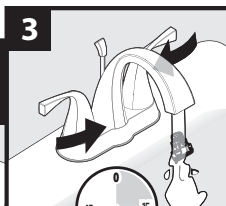
11C

For Model 84660SRN

or
O
OU



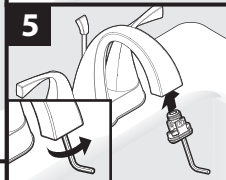
3



4



5



1. Insert Hex Wrench (N) into aerator hole.
2. Loosen aerator with Hex Wrench and remove.
3. Turn on water to flush aerator for 15 seconds.
4. Turn off water.
5. Re-install aerator and tighten with Hex Wrench (N).

 **MOEN**
Buy it for looks. Buy it for life.®

Learn more about home bath and faucets we have.