

MOEN®

HELPFUL TOOLS

For safety and ease of faucet replacement, Moen recommends the use of these helpful tools.

HERRAMIENTAS ÚTILES

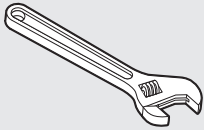
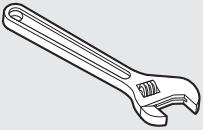
Para que el cambio de la llave sea fácil y seguro, Moen le recomienda usar estas útiles herramientas.

OUTILS UTILES

Par mesure de sécurité et pour faciliter l'installation, Moen suggère l'utilisation des outils suivants.



Sealant
Sellante
Mastic

**SINGLE HANDLE LAVATORY FAUCET**

CA84500, CA84502, CAL84500, CAL84502, CAL84503, WS84503

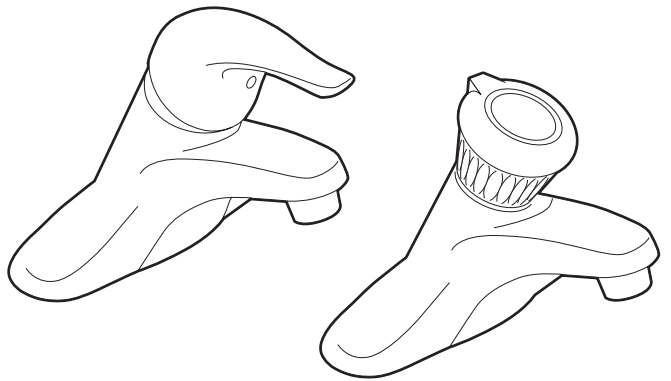
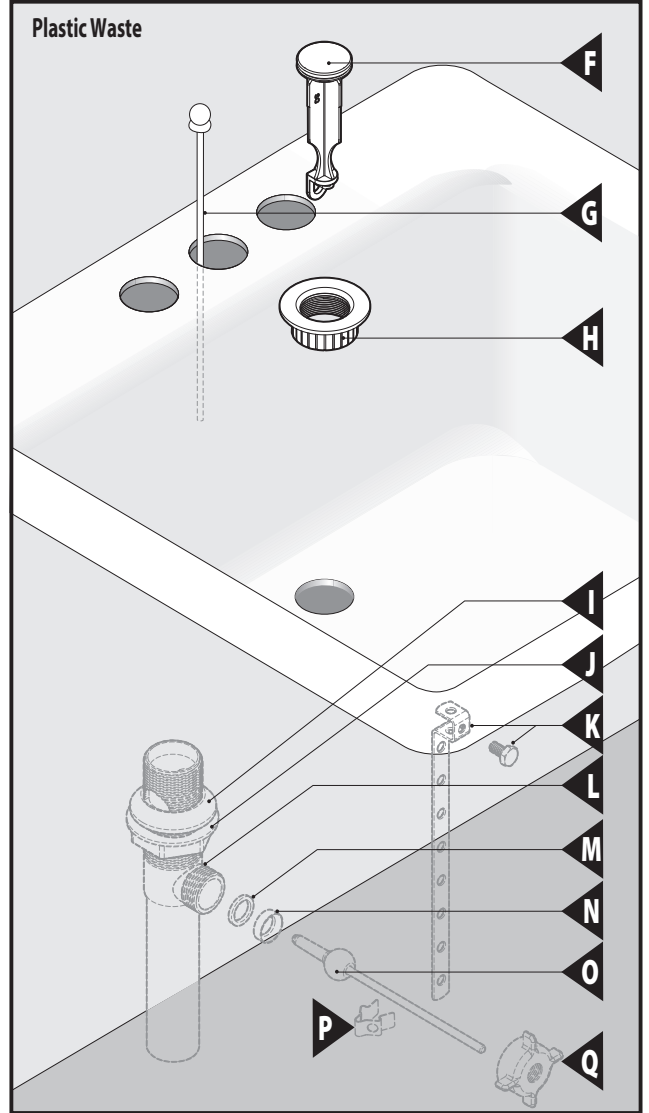
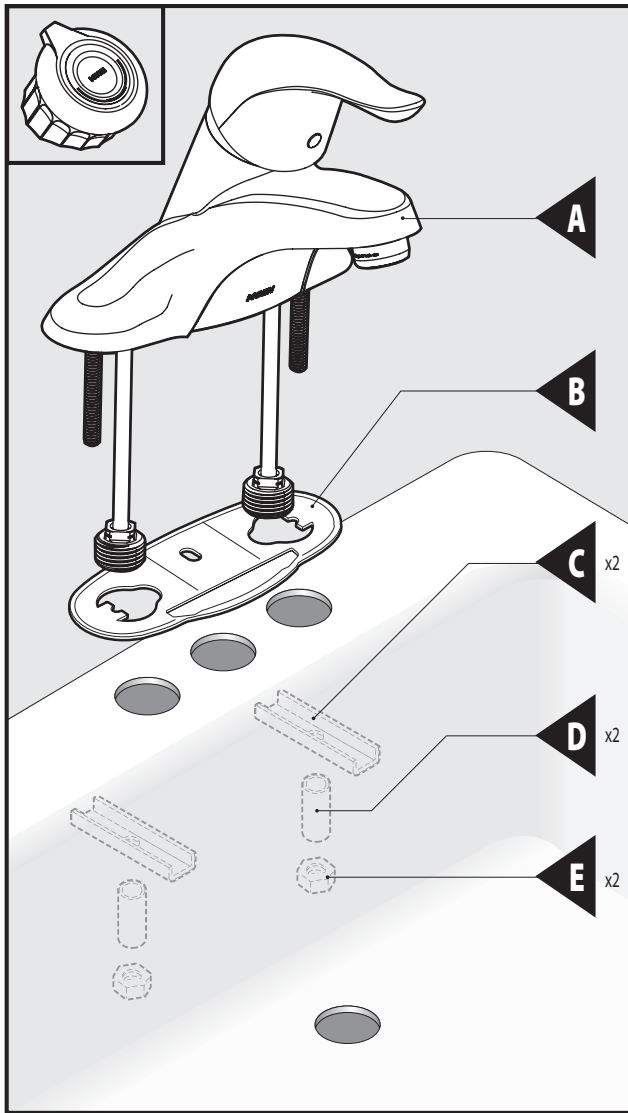
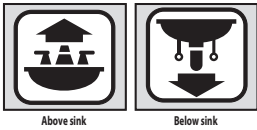


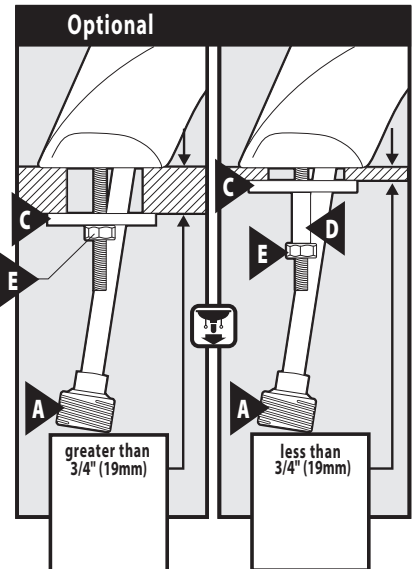
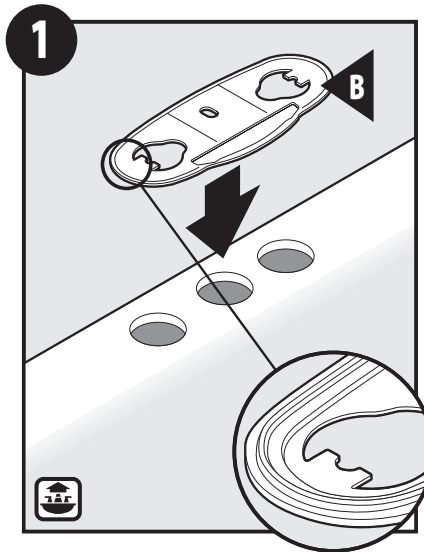
Image is for reference only
(Style varies by model)

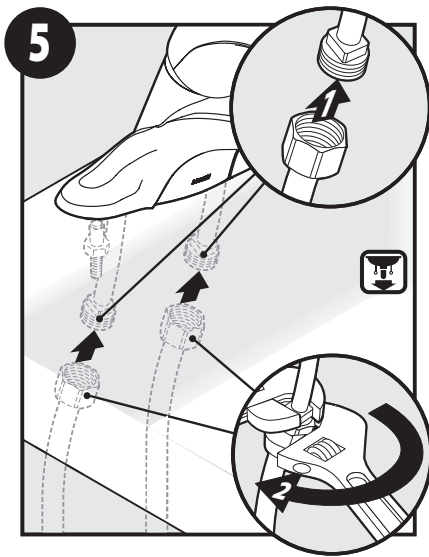
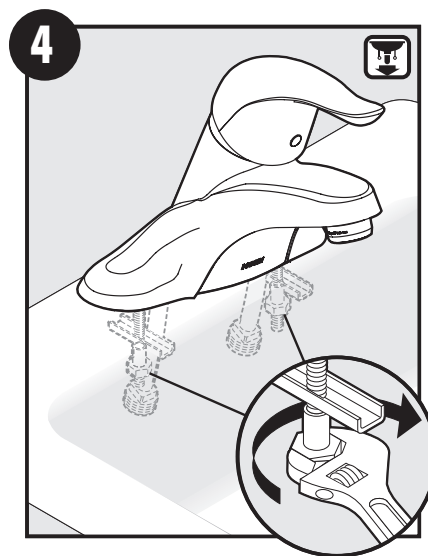
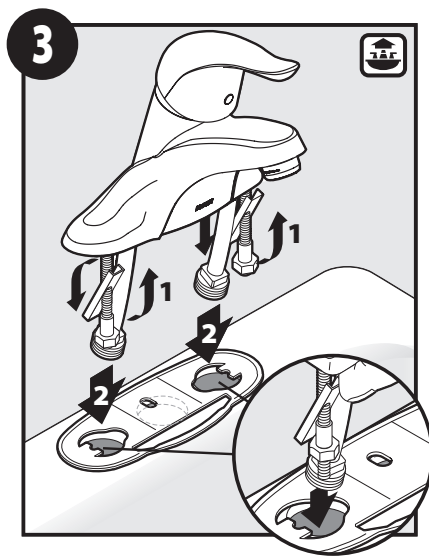
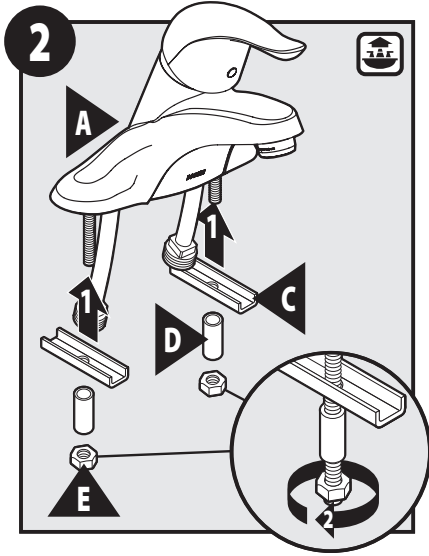


Icon Legend/Leyenda de Iconos/
Légende des icônes

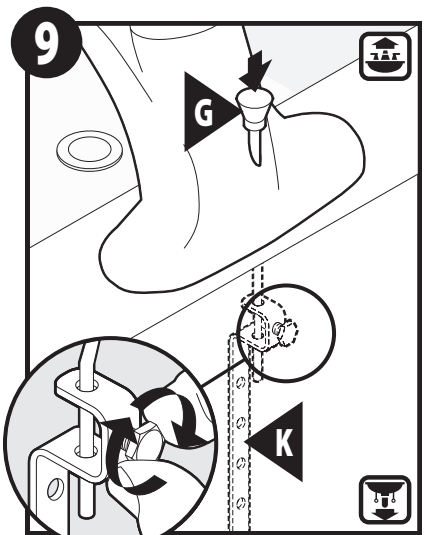
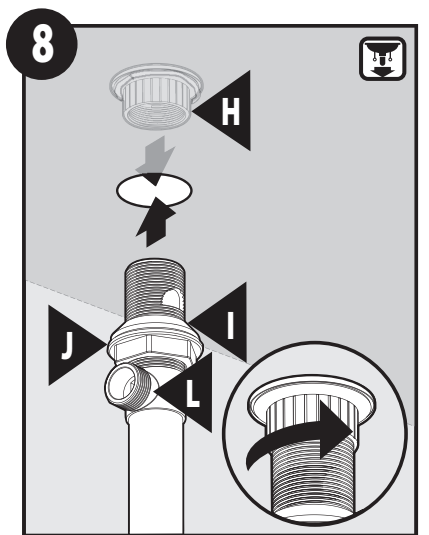
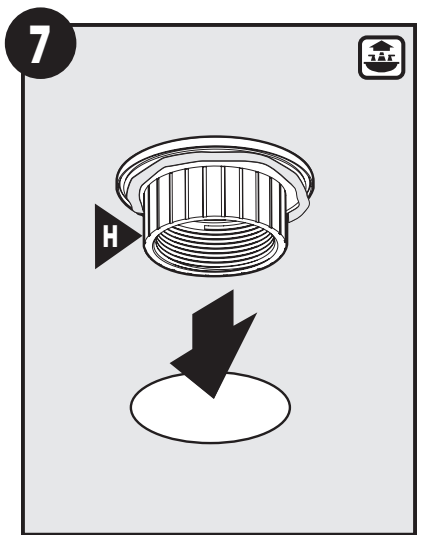
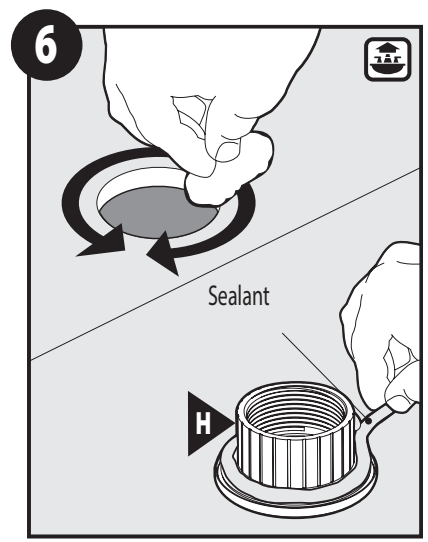


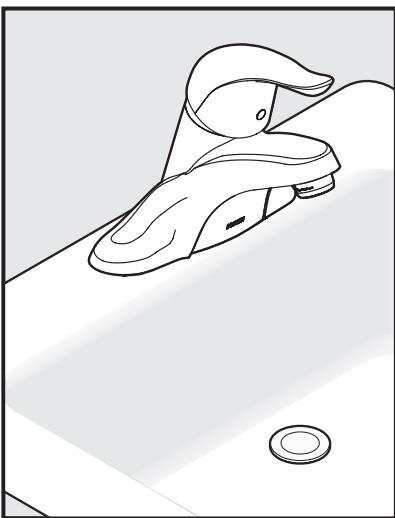
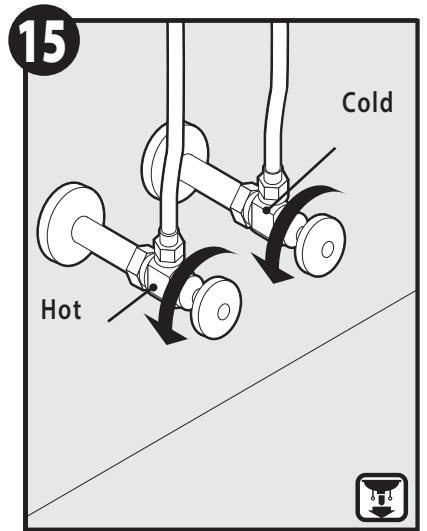
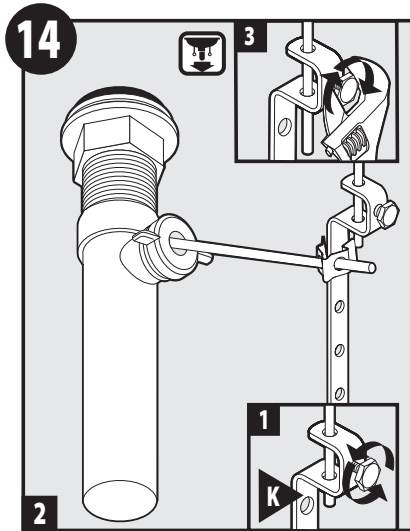
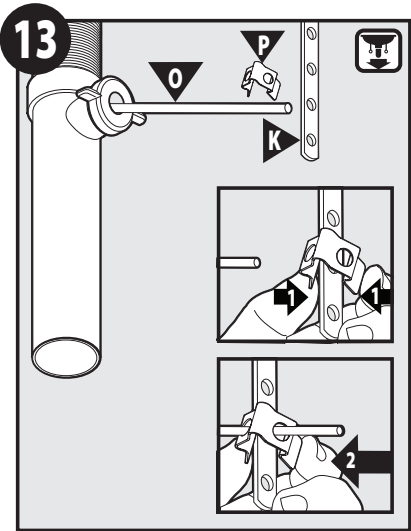
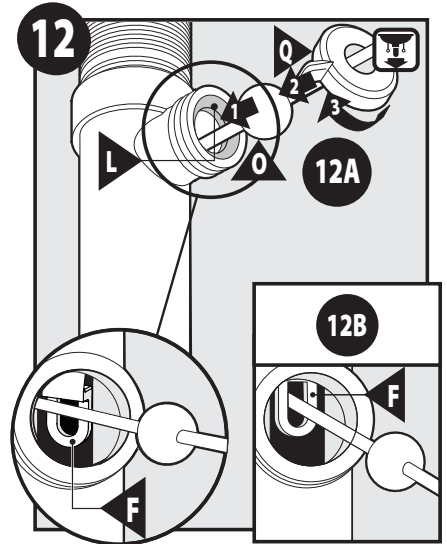
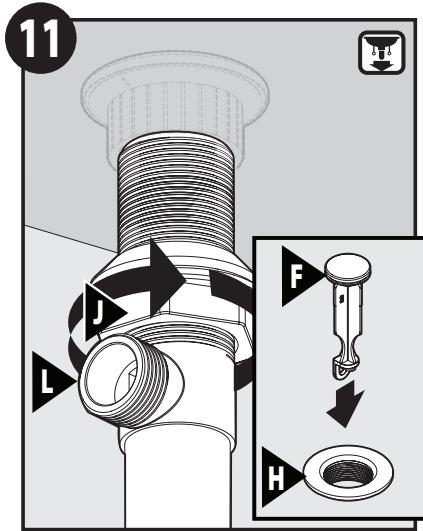
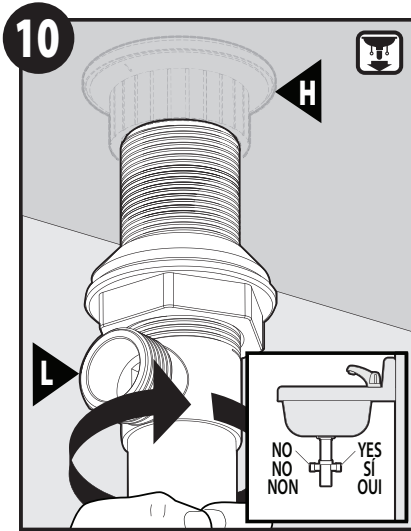
CAUTION — TIPS FOR REMOVAL OF OLD FAUCET: Always turn water supply OFF before removing existing faucet or disassembling the valve. Open faucet handle to relieve water pressure and ensure that complete water shut-off has been accomplished.



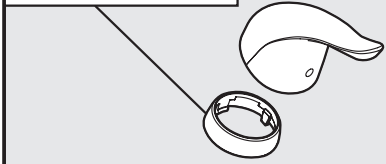


If without drain assembly, go to step **15**
 If with drain assembly, go to step **6**

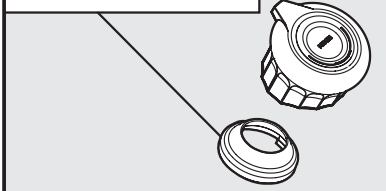




Dome for lever handle

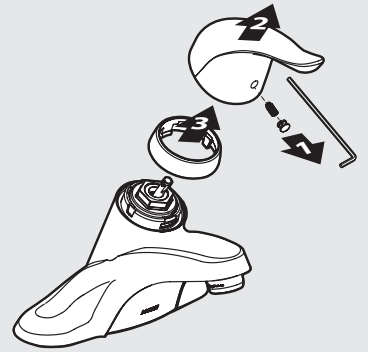


Dome for knob handle

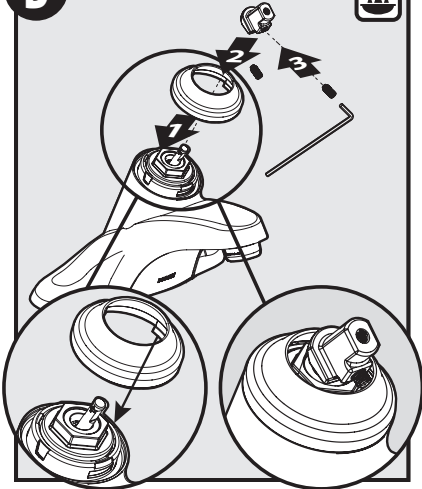


For Knob Handle Installation

A



B



C

