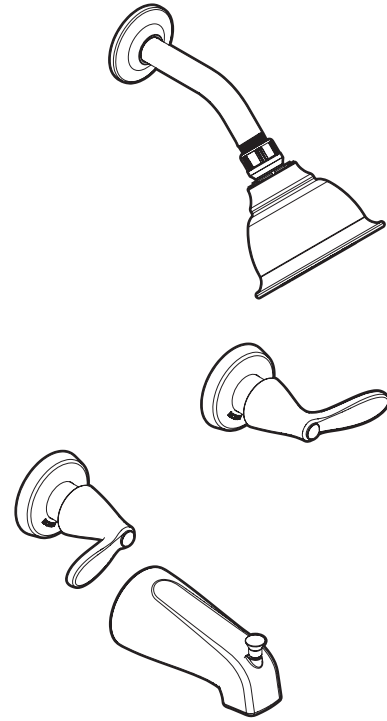




Buy it for looks. Buy it for life.®

Installation Guide



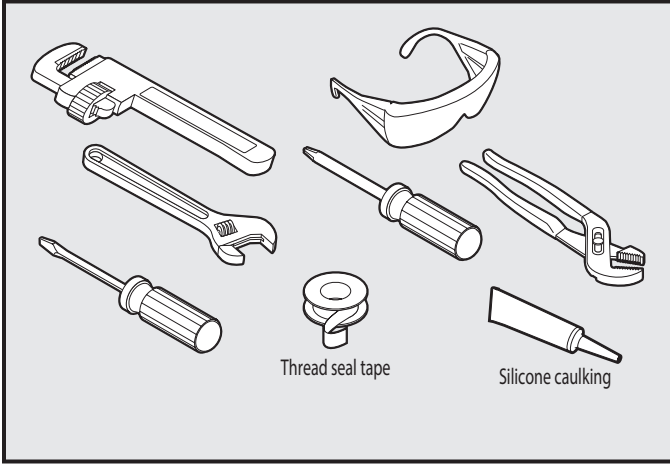
TWO HANDLE TUB/SHOWER

MODEL 82009, 82402, 82402EP, 82555, 82602

*Images in this instruction sheet may not reflect your current product,
but should follow the same step-by-step instructions.*

HELPFUL TOOLS

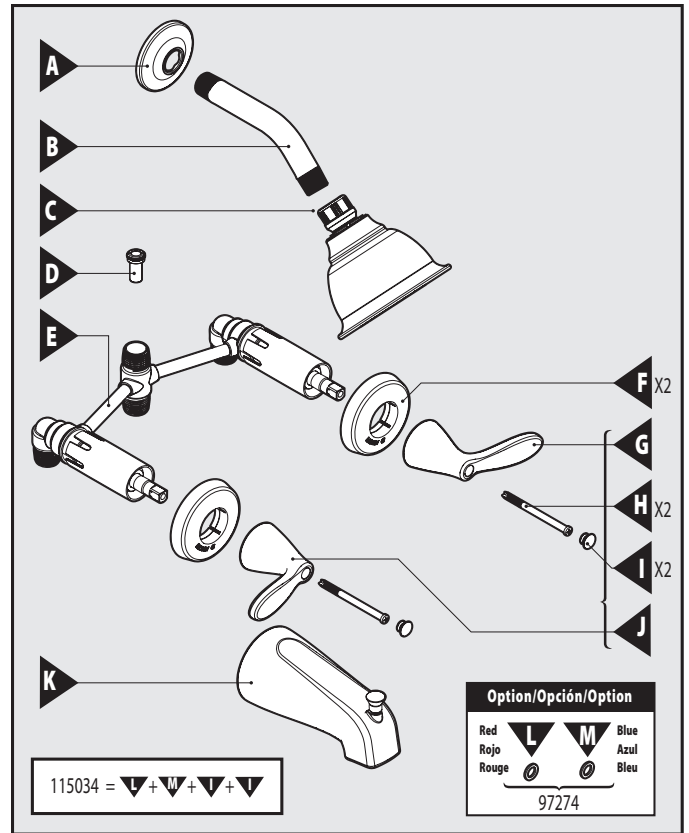
For safety and ease of faucet replacement, Moen recommends the use of these helpful tools.



CAUTION — TIPS FOR REMOVAL OF OLD FAUCET:
Always turn water supply OFF before removing existing faucet or disassembling the valve. Open faucet handle to relieve water pressure and ensure that complete water shut-off has been accomplished.

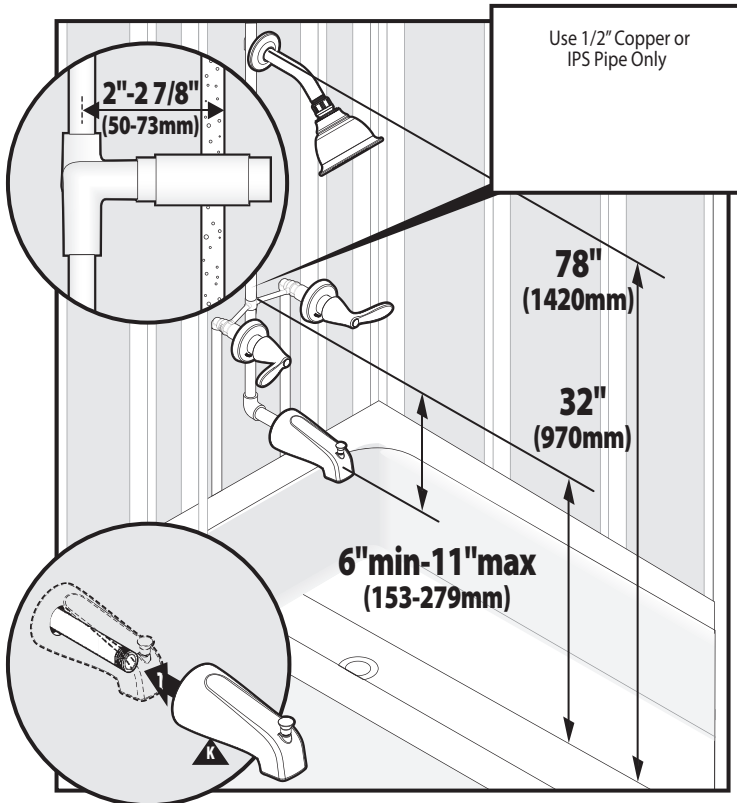
CARE INSTRUCTIONS

To preserve the finish on the metallic parts of your Moen faucet, apply non-abrasive wax, such as car wax. Any cleaners should be rinsed off immediately. Mild abrasives are acceptable on Platinum and LifeShine® finishes.



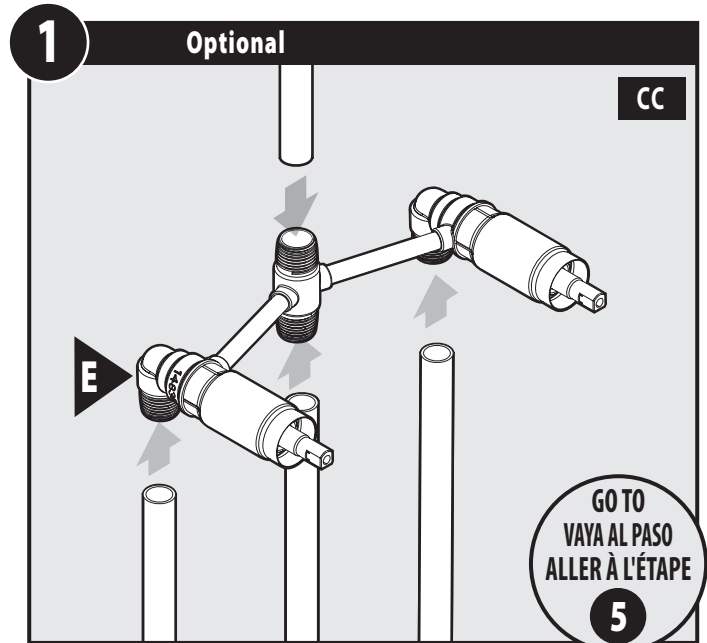
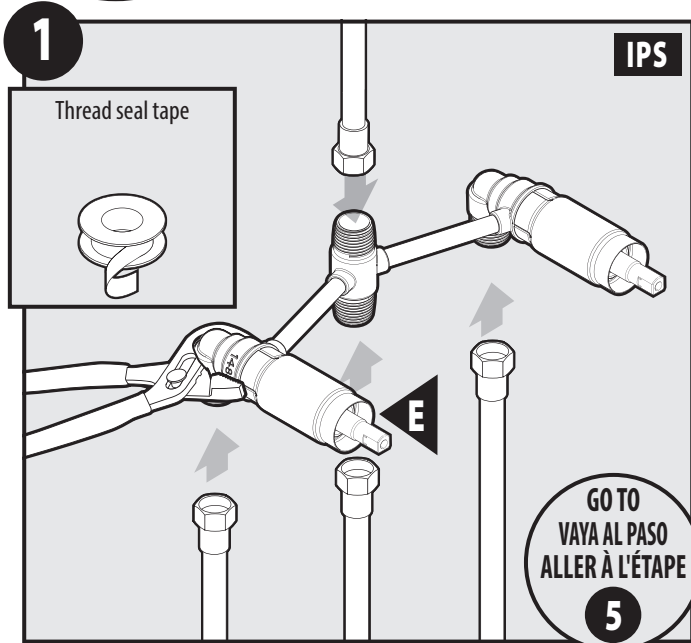
Parts List

- | | |
|---|--------------------------------------|
| A. Shower Arm Flange | H. Handle Screw |
| B. Shower Arm | I. Handle Cap |
| C. Shower Head | J. Hot Handle |
| D. Flow Director (Must be installed) | K. Tub Spout |
| E. Valve Body | L. Hot Temp Indicator (red) |
| F. Wall Tube Escutcheon | M. Cold Temp Indicator (blue) |
| G. Cold Handle | |



For ease of operation and best performance, install the valve body 32" above the floor and the shower arm at 78" above the floor. The tub spout can be installed between 6" and 11" below the valve body using 1/2" copper tubing or the equivalent to 1/2" brass pipe size material. No more than one elbow is recommended.

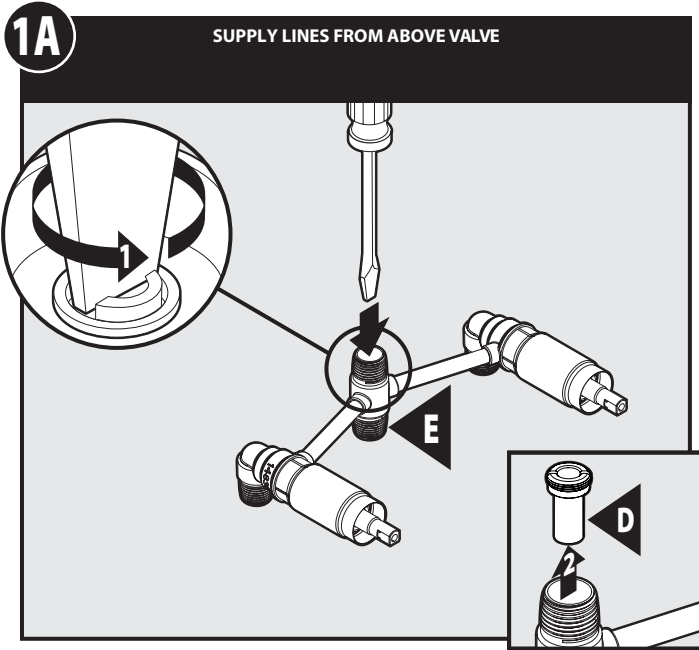
If your supply lines are coming up to the valve from below, follow Step 1, then skip to step 5. If your supply lines are coming down to the valve from above, follow Step 1A – 4A.



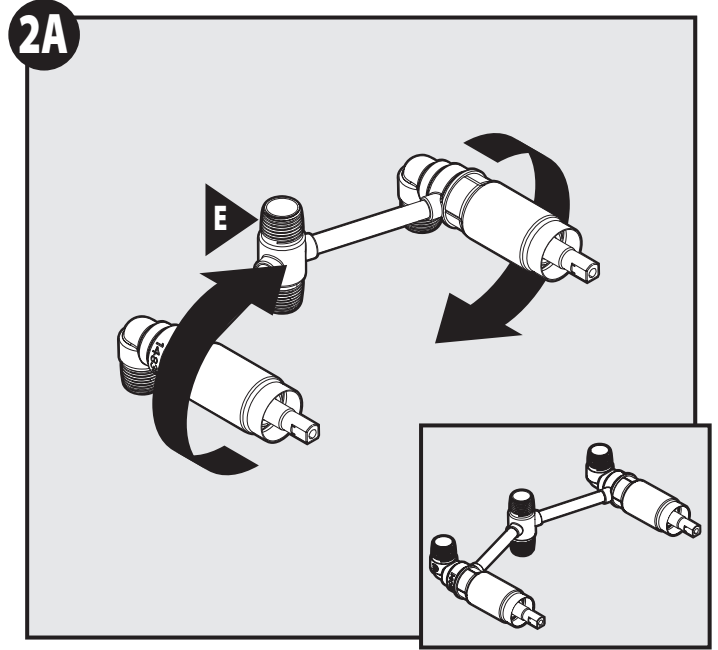
This valve (E) can be plumbed using threaded connections (IPS). The water inlets, the outlets to the tub spout and to the showerhead are 1/2" male pipe thread. Use thread seal tape when making these connections. Wrap the tape onto the threads in the same direction the adapter will thread on. Use adjustable pliers or a pipe wrench to hold the valve body when tightening the connections. Go to **step 5**.

If soldering copper tubing (CC) into valve (E) insert 1/2" copper tubing into the hot and cold water inlets and the shower riser and tub drop outlets. Then, go to **step 5**

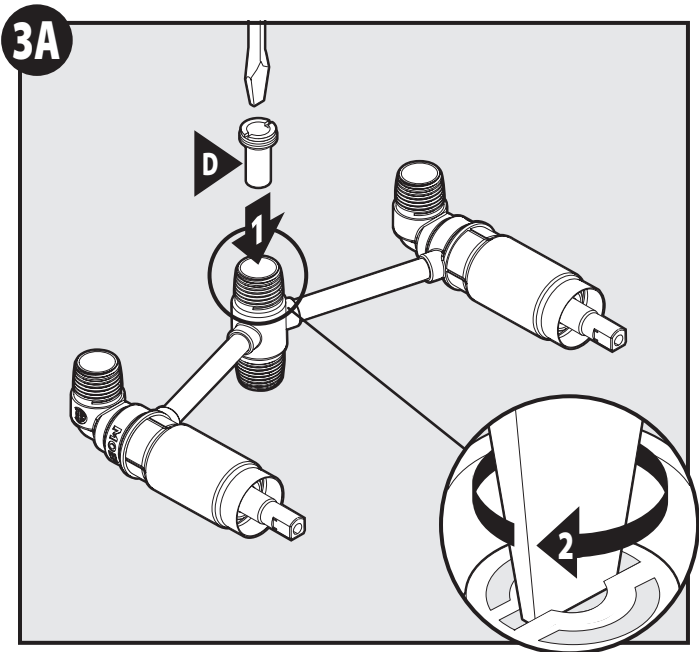
Supply Lines From Above Valve



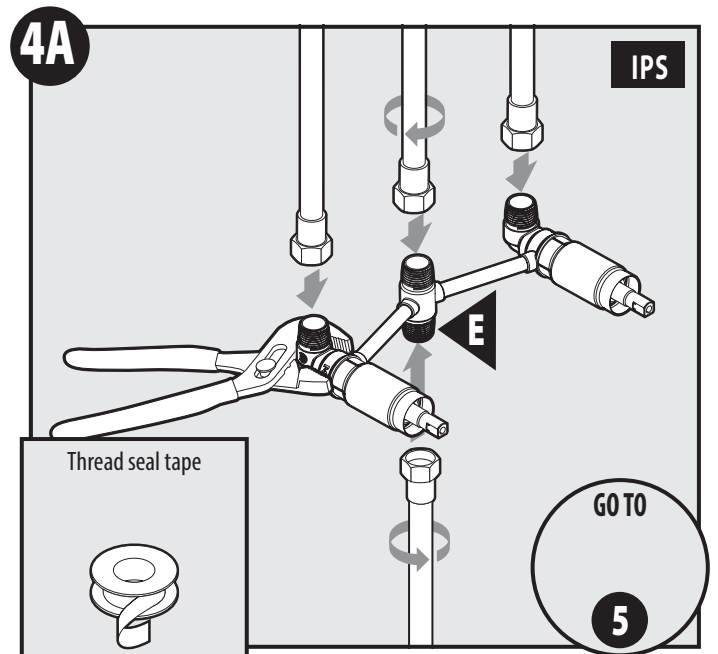
Position the valve as shown. Locate and remove the Flow Director (D) in the top outlet of the valve using a flat head screwdriver. **Note:** For proper performance Flow Director (D) must be reinstalled. See Step 3A.



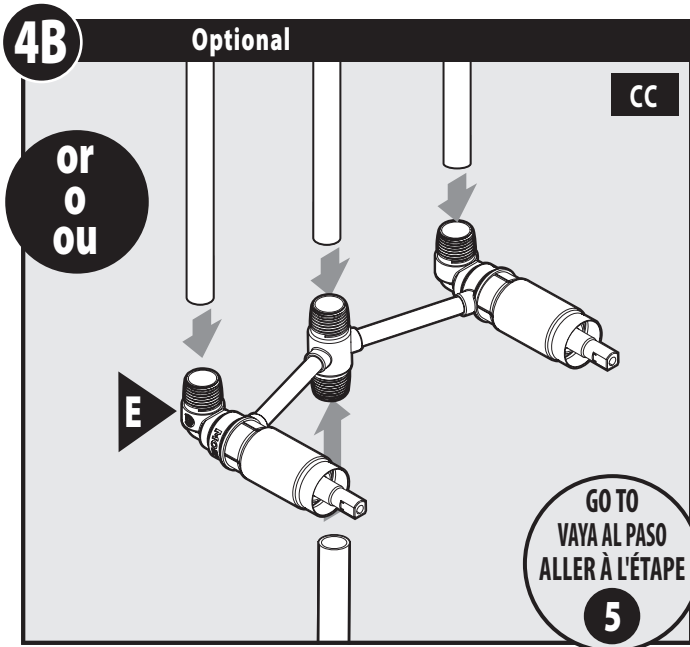
Rotate the valve over as seen in Step 2A.



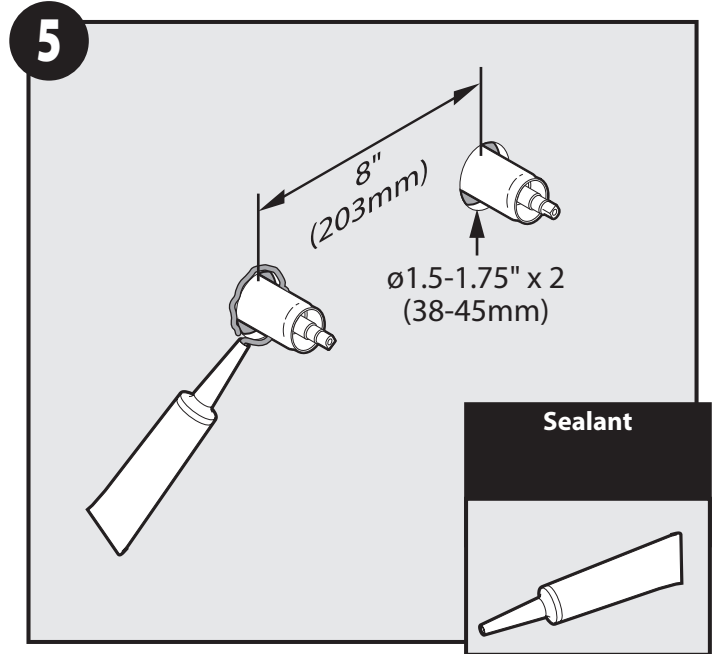
Install the Flow Director (D) into the valve as shown.



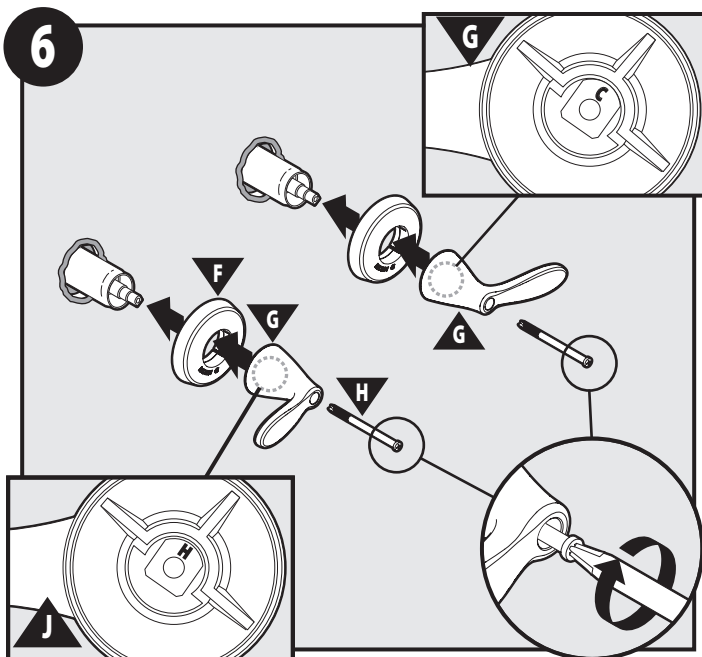
This valve (E) can be plumbed using threaded connections (IPS). The water inlets, the outlets to the tub spout and to the showerhead are 1/2" male pipe thread. Use thread seal tape when making these connections. Wrap the tape onto the threads in the same direction the adapter will thread on. Use adjustable pliers or a pipe wrench to hold the valve body when tightening the connections.



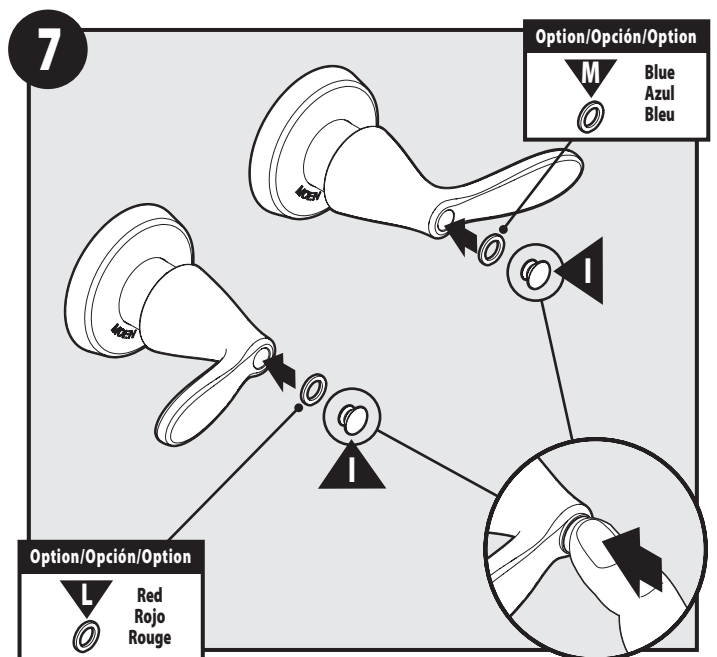
If soldering copper tubing (CC) into valve (E) insert ½" copper tubing into the hot and cold water inlets and the shower riser and tub drop outlets.



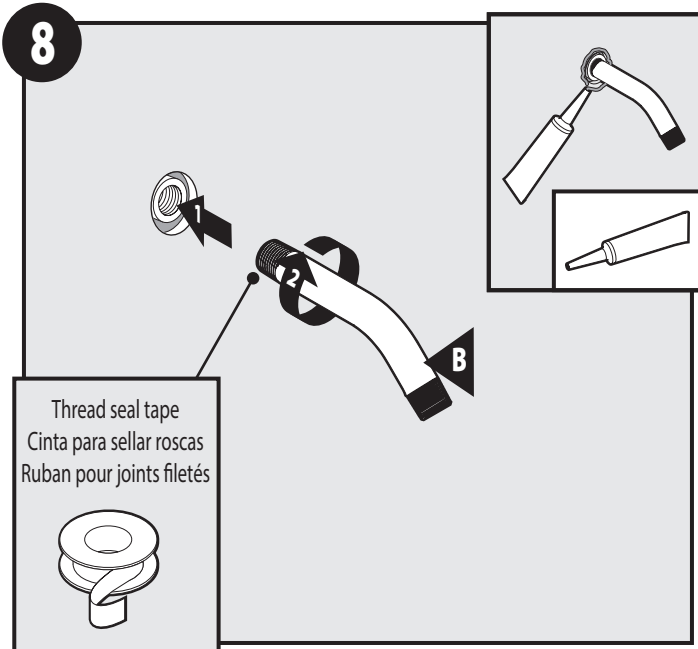
Apply sealant to the area surrounding the wall tubes.



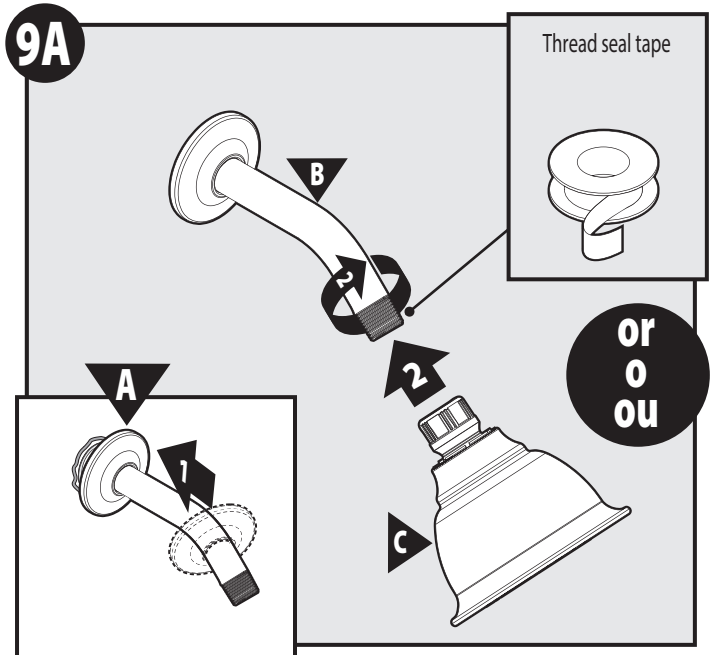
Slide wall tube escutcheons (F) over wall tubes. The cold handle (G) has a "C" stamped inside as shown and is to be installed on the right side. The hot handle (J) has a "H" stamped inside and is to be installed on the left side. Thread screws (H) into handles.



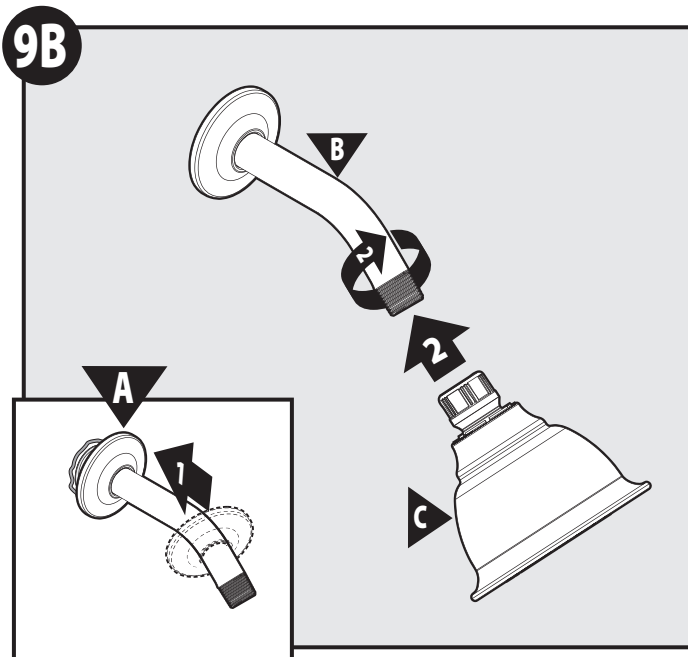
If desired, the blue cold temperature indicator (M) and the red hot temperature indicator (L) can be installed onto the handles and are held in place by the handle caps (I). If no temperature indicators are wanted, install the caps (I) into the handles as shown.



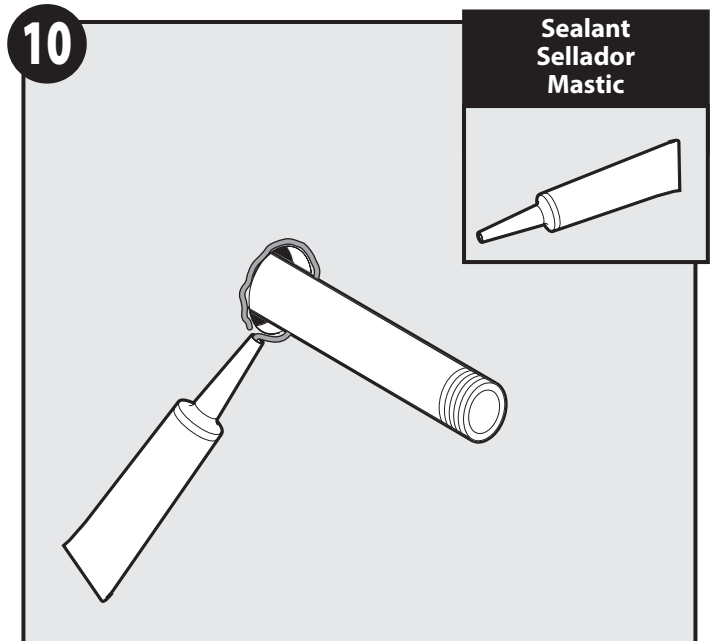
Wrap thread seal tape onto the shower arm (B) threads clockwise. Thread shower arm (B) clockwise into shower arm elbow in wall. Apply sealant to the area surrounding the wall area and pipe.



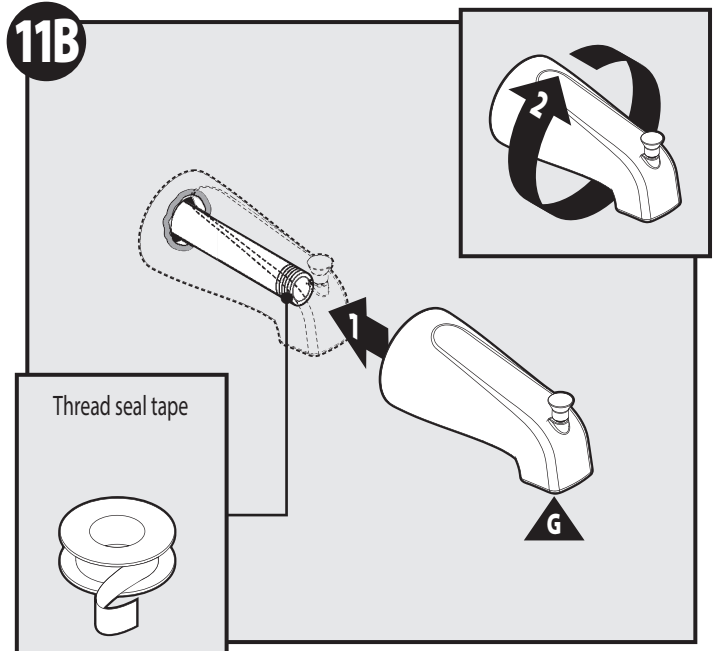
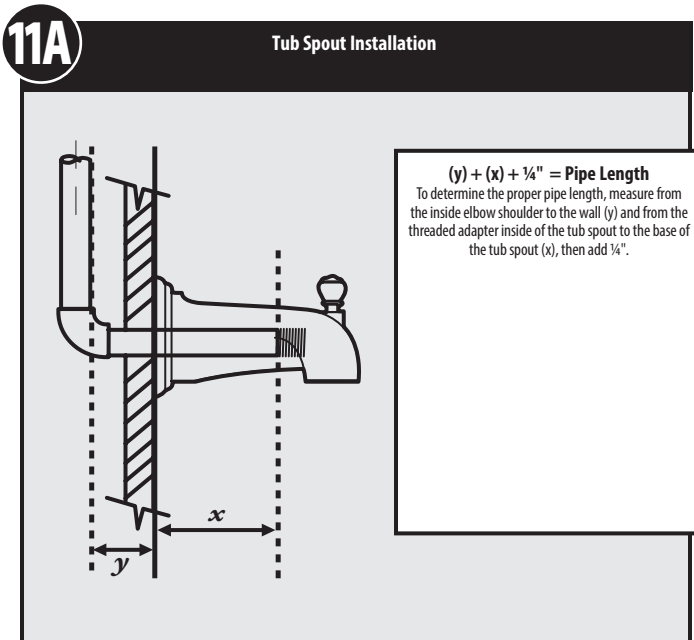
Metal Shower Ball: Slide Shower Arm Escutcheon (A) over the Shower Arm (B). Wrap thread seal tape around threads at bottom of Shower Arm (B). Remove any debris from Shower Arm to ensure proper flow. Thread Shower Head (C) onto Shower Arm (B).



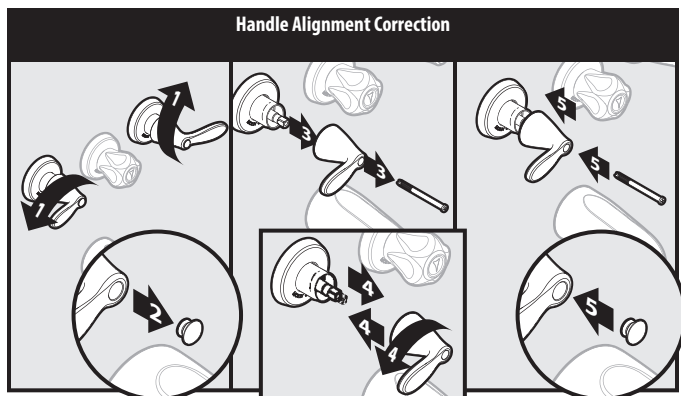
Plastic Shower Ball: Slide Shower Arm Escutcheon (A) over Shower Arm (B). Remove any debris from the Shower Arm to ensure proper flow. Then, simply thread Shower Head (C) onto Shower Arm (B) by hand. Ensure the washer is inside Shower Head (C) to create the proper seal. Thread seal tape is not required.



Apply a sealant between the wall opening and the pipe.



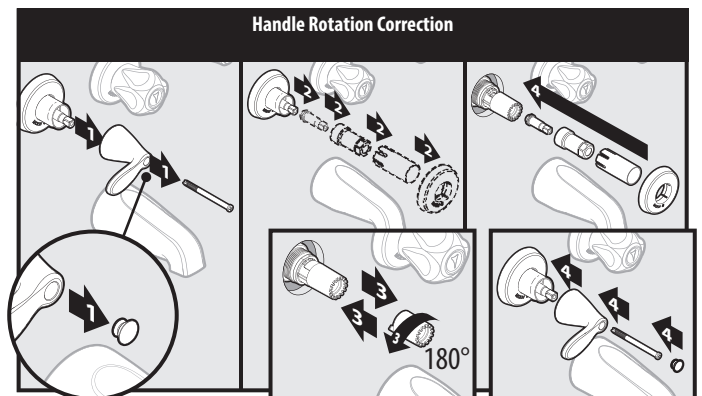
IPS (threaded) spouts are designed to screw onto a pipe with 1/2 inch male pipe threads. To determine the proper pipe length, measure from the inside elbow shoulder to the wall (y) and from the threaded adapter inside of the tub spout to the base of the tub spout (x), then add 1/4". Place thread seal tape around the pipe threading and a sealant (plumbers putty or caulk) around the base of the pipe to prevent leaking behind the wall. Thread the tub spout onto the pipe until flush with the wall.



Handle Alignment Correction

Water to the valve does not need to be turned off for this adjustment.

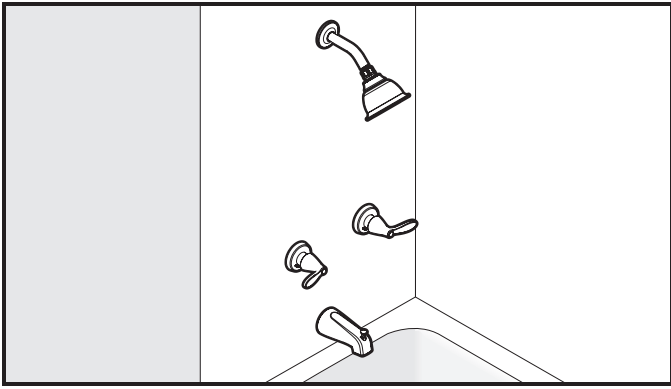
1. Rotate each handle to the off position.
2. Remove the handle cap.
3. Remove the handle screw and handle (noting the direction the lever is point).
4. Disengage the handle adapter, replace the handle without screw and rotate to desired position.
5. Push handles back in and reinstall screw and handle cap.



Handle Rotation Correction

Water to the valve **must be turned off** for this adjustment

1. Remove handle cap, screw, and handle.
2. Remove brass cartridge nut and handle adapter.
3. Remove shorter part of handle extension, rotate 180 degrees and reinstall.
4. Reinstall all parts in reverse order.



Installation complete.

 **MOEN**
Buy it for looks. Buy it for life.®

Find out more about home bath and faucets we have.