

MOEN®

Specifications

DESCRIPTION

- Includes handshower, hose, and bracket
- Various finishes identified by suffix
- 60" double interlock spiral chrome hose (metal), for Chrome and Spot Resist Brushed Nickel finishes only
- 1/2" IPS connection

OPERATION

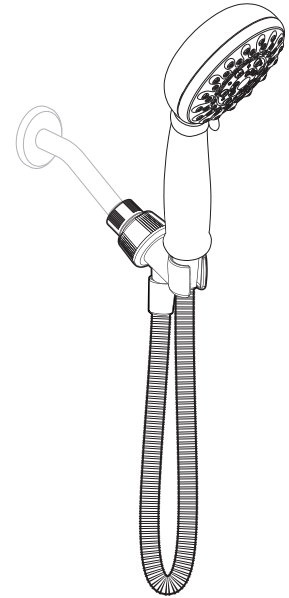
- Five functions
- Rotate outer ring to select function

FLOW

- Designed to deliver 1.75 gpm (6.6 L/min)
(for models manufactured after 3/1/18)
- Designed to deliver 2.0 gpm (7.6 L/min)
(for models manufactured before 3/1/18)

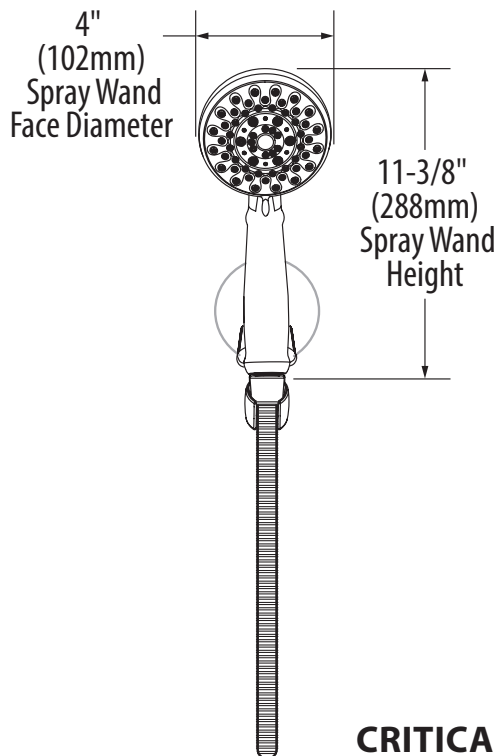
STANDARDS

- Third party certified at WaterSense®, ASME A112.18.1/CSA B-125.1, and all applicable specifications referenced therein
- Products marked with 1.75 gpm are compliant with California water efficiency regulations



Banbury™
5-Function Handshower
with Bracket & Hose

Model: 23046 series



CRITICAL DIMENSIONS

(DO NOT SCALE)

