

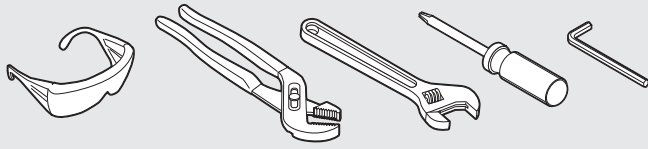
1225 Handle Adapter Kit



English

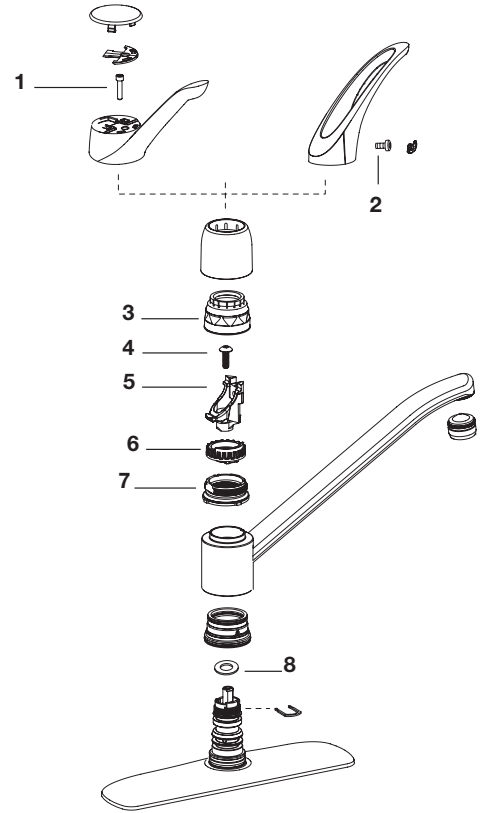
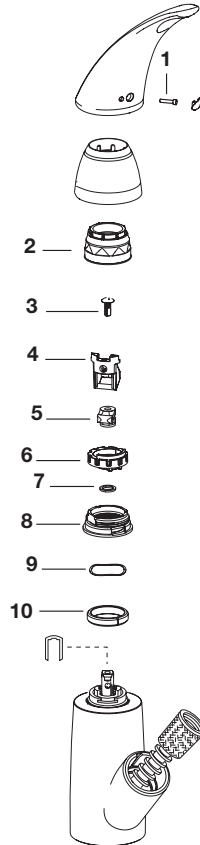
HELPFUL TOOLS

For safety and ease of faucet replacement, Moen recommends the use of these helpful tools.



ENGLISH

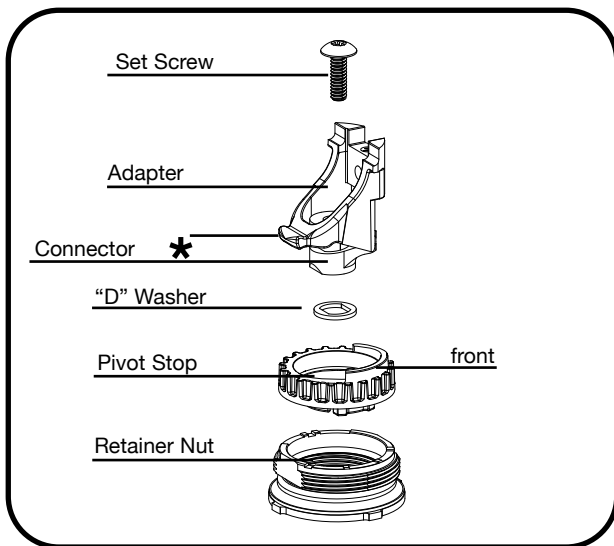
1	Set Screw		
2	Dome and Pivot Retainer Assembly		
3	Cartridge Screw		
4	Handle Adapter		
5	Handle Connector		
6	Pivot Stop		
7	Washer		
8	Retainer Nut		
9	Wave Spring Washer		
10	Bearing Washer		



ENGLISH

1	Set Screw		
2	Set Screw		
3	Dome and Pivot Retainer Assembly		
4	Cartridge Screw		
5	Handle Adapter and Connector Assembly		
6	Pivot Stop		
7	Retainer Nut and Bearing Washer Assembly		
8	"D" Washer		

HANDLE REPLACEMENT



IT IS NOT NECESSARY TO SHUT OFF WATER SUPPLIES.

1. Remove plug button or cap from the handle by prying "it" upwards from the bottom center. If a tool is required, use something which will not scratch the handle.
2. Using the 7/64" hex key wrench, "unscrew the set screw located behind the plug button or under the cap", turning hex key counter clockwise to remove set screw. Lift off handle body.
3. Pull off dome. Unscrew pivot retainer counterclockwise and remove.
4. Remove cartridge screw by turning counterclockwise with a Phillips screwdriver.
5. See exploded parts view to identify the part to be replaced.
6. Reassemble by doing steps 1-4 in reverse.