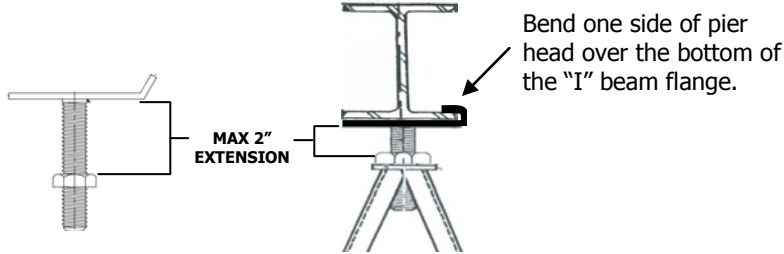
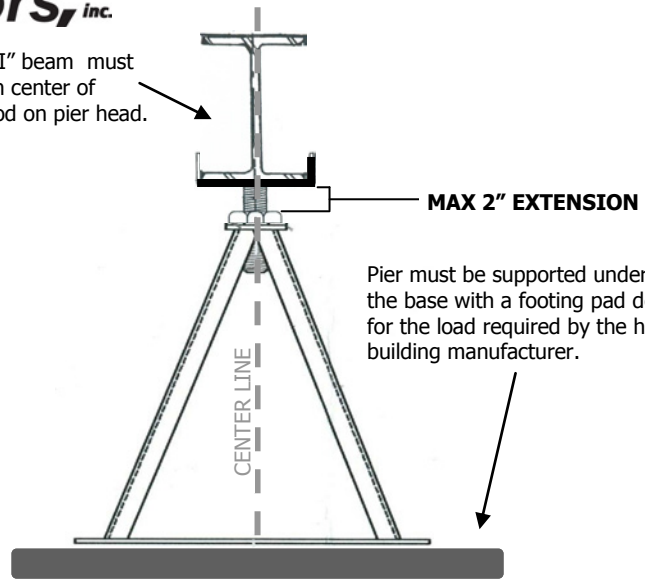
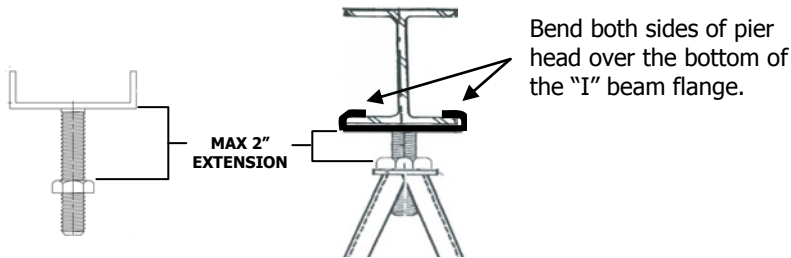


Minute Man Anchors, inc.

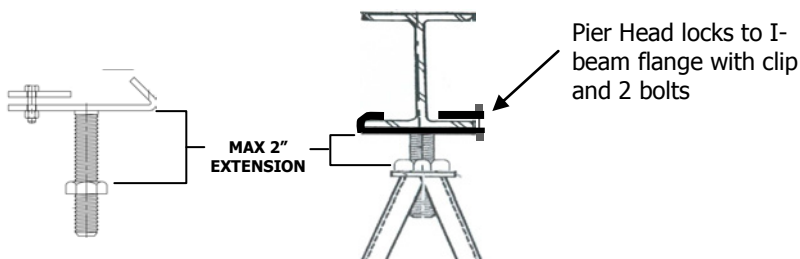
Center of "I" beam must line up with center of threaded rod on pier head.



STANDARD PIER HEAD



SADDLE TOP PIER HEAD



LOCKING TOP PIER HEAD