

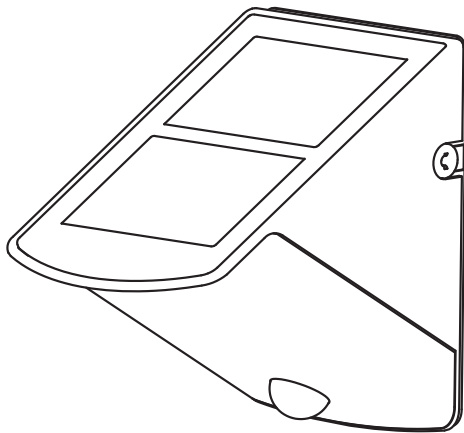


SOLAR

MOTION-ACTIVATED WEDGE LIGHT

OPERATING INSTRUCTIONS

Solar Motion-Activated Wedge Light



MODELS #40234
#40235
#40236

IMPORTANT: READ ALL INSTRUCTIONS CAREFULLY BEFORE USE

ABOUT YOUR SOLAR WEDGE LIGHT

During the day, the solar cell charge panel on this MAXSA Solar Wedge Light converts sunlight into electricity recharging the batteries. Using this stored energy, the LED light (built into this Solar Security Light) turns on automatically at night when motion is detected. This MAXSA Solar Wedge Light turns on for 4 minutes each time motion is detected in the area.

This unit includes 3 AA rechargeable batteries, which will need to be replaced when the charging ability is decreased.

MAXSA
INNOVATIONS[®]

BEFORE FIRST TIME USE OF YOUR SOLAR WEDGE LIGHT

1. Ensure the power switch on the main body of your Security Light is in the OFF position. In this position the solar cell will charge the batteries without activating the light.
2. Leave the switch in this position for up to 3 days and make sure the solar panel is placed in direct sunlight. This will ensure that the batteries in your Solar Security Light have a full charge prior to normal operation.

OPERATING YOUR SOLAR WEDGE LIGHT

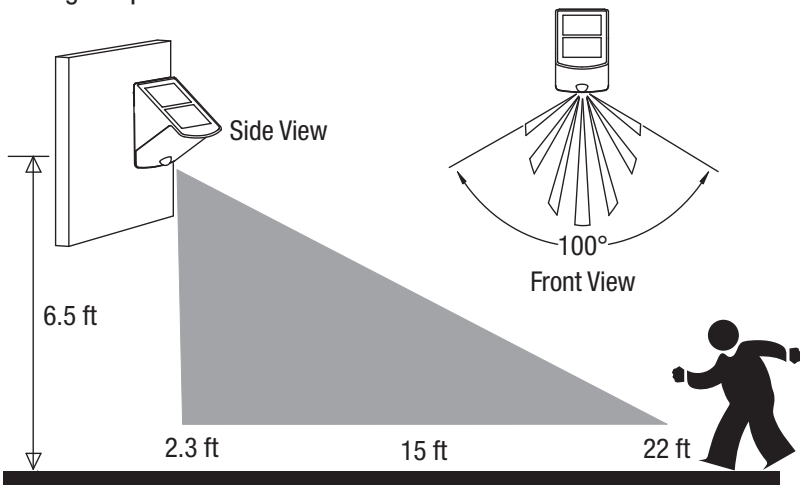
Your Solar Wedge Light will be ready for use at the end of the initial 3 day charging period. You can now move the switch to AUTO if you want the light to be motion-activated when it's dark or you can move the switch to ON if you want the light to stay on all the time.

CHOOSING A LOCATION FOR YOUR SOLAR WEDGE LIGHT

This Solar Wedge Light has a built-in solar panel. For optimum sun exposure and longer light output, place the light with the solar panel in a position that receives at least 6-8 hours of direct sunlight per day. Ideally, the solar panel should face south. Placing the solar panel in a shaded location will not allow the batteries to charge fully. This will reduce the number of hours the Solar Wedge Light will operate per evening. In choosing a location for your Solar Wedge Light, ensure that the solar panel is not placed near night time light sources such as porch lighting or street lighting.

This Solar Wedge Light is ideal for areas where electricity is not available, including driveways, carports, garages and entrance doors, for safety and security around your home. In addition to the safety and security benefits of this Solar Wedge Light, it can also be used for convenience lighting and is ideal for use on backyard sheds, farm sheds, RV's and other remote areas where electricity is not available.

When deciding where to mount the light, keep in mind that the motion sensor that activates this light has a field of vision of 100° (horizontal) at a distance of 22 feet when the surrounding temperature is 77° F.



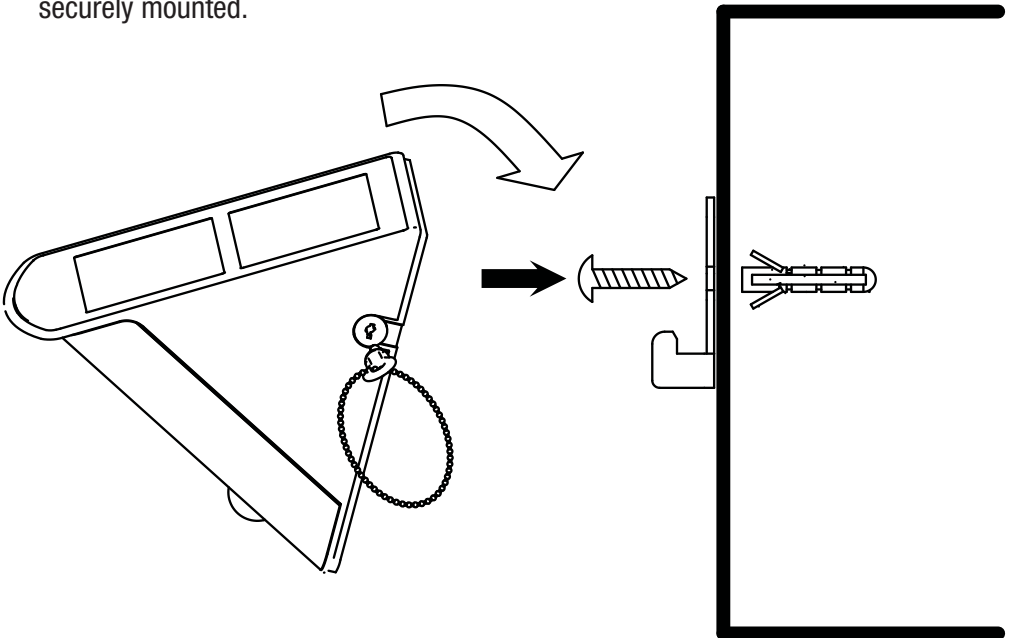
HOW TO INSTALL YOUR SOLAR WEDGE LIGHT

The Solar Wedge Light can be mounted vertically or horizontally onto a solid surface using the supplied mounting bracket, wood/sheet metal screws, and anchors. If you are placing the light on a flat surface, mounting is not required. Remember it is best to face the panel south for direct sunlight exposure.

The included mounting bracket and screws can be used to mount the Solar Wedge Light securely to a wall or other stable surface.

To install the mounting bracket with screws:

1. Remove the mounting bracket from the bottom of the Solar Wedge Light by inserting the key into the keyhole and twisting the key counter-clockwise to the OPEN position.
2. If you are mounting the bracket on a very hard surface, you may need to drill holes for the screws first. The included screw anchors can be used for drywall, cement, brick, or similar surfaces.
3. Align the mounting bracket and install the two screws using a Phillips screwdriver.
4. Place the Solar Wedge Light onto the mounting bracket.
5. Insert the key into the keyhole and twist the key clockwise to the LOCK position.
6. Remove the key and gently nudge the Solar Wedge Light to make sure that it is securely mounted.



REPLACING THE RECHARGEABLE BATTERIES

When the charging ability of the batteries decreases, you can replace the batteries with (3) three new AA Ni-MH 1.2V rechargeable batteries. Follow the steps below when replacing the battery.

1. First remove the Solar Wedge Light from its mounted surface.
2. Move the power switch on the main body to the OFF position.
3. Remove the five (5) screws on the battery compartment cover on the back of the Solar Wedge Light.
4. Turn the main unit upside down and slide out the battery tray.
5. Carefully remove the old batteries from the battery tray by hand and replace with three (3) new AA Ni-MH 1.2V rechargeable batteries. Ensure that the new batteries are inserted in the correct +/- polarity orientation as indicated in the battery compartment. (WARNING: Installing the batteries in the opposite direction could damage the unit.)
6. Replace the battery compartment cover and reinstall the five screws.
8. Once assembled, mount your Solar Wedge Light to its original surface location.
8. Repeat the steps in the "Before first time use of your Solar Security Light" section on page 4 to ensure your new batteries are fully charged.

NOTE: Do not dispose of batteries in general household trash or into a fire since the batteries may explode. Consult your local regulations for correct disposal of batteries.

GENERAL ELECTRICAL AND SAFETY WARNINGS

1. Do not install the Solar Wedge Light in a location where it can be accidentally kicked or tripped over.
2. Do not immerse the Solar Wedge Light in liquid.

MAINTENANCE TIPS

To keep your Solar Wedge Light looking new, keep the lens free of dust and deposits by wiping occasionally with a dry cloth or with warm soapy water if necessary. Importantly, ensure that the solar panel is kept free of dirt and debris at all times. A dirty solar panel will not allow the batteries to fully charge which will shorten the life of the batteries and may cause the light to malfunction.

STORAGE

If you wish to store your light indoors for more than two or three days, turn the power switch to the OFF position to prevent damaging the batteries. Battery capacity may be reduced during prolonged storage. For optimal performance, we recommend that you do not store your Solar Wedge Light for prolonged periods of time.

COLD WEATHER

In temperatures below 20°F, the Solar Wedge Light may not work as well. Normal performance will return when the temperature rises.

Winter Tips: In winter, for northern locations, there is much less daylight and very cold temperatures can affect the performance of your solar motion light. Also the sun's orientation in the sky can change dramatically from summer. Make sure your solar panel is oriented southwards to the sun and gets maximum light. You may also want to lower the time duration to the shortest time period to lesson battery use. Cold weather can also affect the performance. These issues go away with warmer weather and longer days.

TROUBLESHOOTING

Problem	Possible Solutions
Light will not switch on when there is movement in the detection area.	<ul style="list-style-type: none"> ● Ensure that the power switch on the main body has been turned to the AUTO position. ● Ensure that the motion sensor has been positioned to face oncoming movement. ● Ensure that the batteries have been fully charged in direct sunlight for 3 sunny days - Refer to the "Before First Use of Your Solar Wedge Light" section. ● Check to see that the solar panel is facing south so that it receives direct sunlight for most of the day, enabling the batteries to fully charge. ● Check to see that the solar panel is not near night time light sources such as street lights. ● The rechargeable batteries may need to be replaced.
Light switches on for no apparent reason.	<ul style="list-style-type: none"> ● Moving trees, traffic, pets or birds may be getting in the area of detection. This may be unavoidable, however the sensor could be redirected to a height where this is less likely to occur. ● Heat sources such as air conditioners, vents, heater/dryer exhaust outlets, barbecues, or other outside lighting may be falsely activating the motion sensor. Try installing the Solar Wedge Light in a different location. ● If there are reflective objects in the detection area such as windows, water, or white walls, you may need to redirect or possibly reposition the motion sensor. ● Test the motion sensor by covering it completely with cardboard and waiting several minutes to make sure it does not detect motion. If the light still switches on, please contact MAXSA for further assistance.
Light quickly flashes on and off.	<ul style="list-style-type: none"> ● Battery charge may be low. Turn the power switch to the OFF position and charge the battery for three (3) sunny days, ensuring the solar panel has been placed in direct sunlight. ● The rechargeable batteries may need to be replaced.
Light is not as bright as normal.	<ul style="list-style-type: none"> ● Battery charge may be low. Turn the power switch to the OFF position and charge the battery for three (3) sunny days, ensuring the solar cell charge panel has been placed in direct sunlight. ● The rechargeable batteries may need to be replaced.