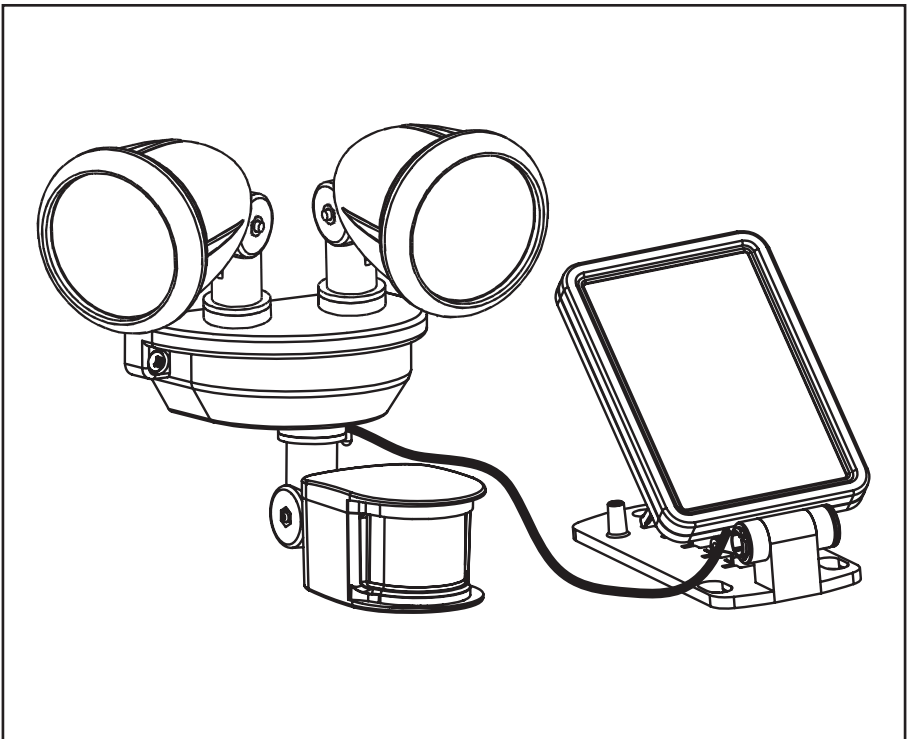


*motion-activated*  
**DUAL-HEAD SOLAR SECURITY LIGHT**

**MAXSA**

## ASSEMBLY & OPERATING INSTRUCTIONS

SOLAR MOTION-ACTIVATED DUAL HEAD SECURITY LIGHT WITH 4 LED LIGHTS

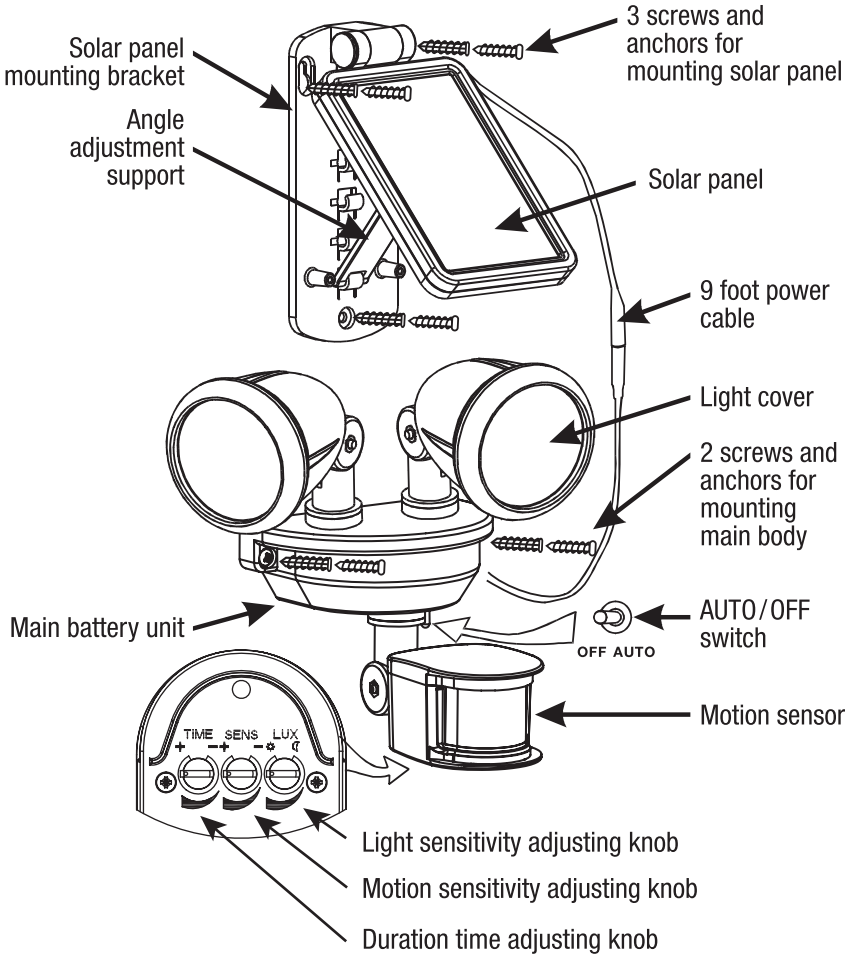


This unit includes 3 AA rechargeable batteries, which will need to be replaced when the charging ability is decreased. These batteries should last for approximately 3 years before they will need to be replaced.

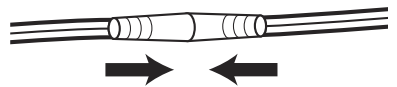
**IMPORTANT:** Read all instructions carefully before use

## INCLUDED PARTS:

Carefully remove and identify all the parts from their protective packaging and lay them out.



Connect the solar charge panel to your Solar Security Light by plugging the 9 foot cord into the cord attached to the front of the Solar Security Light.

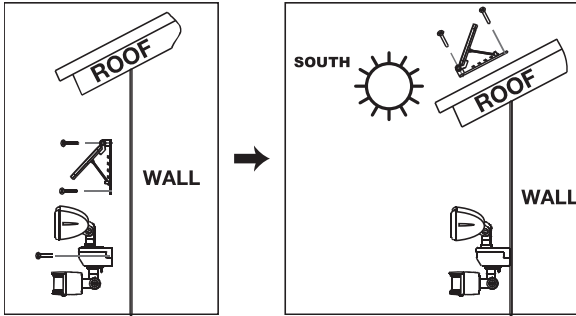


## CHOOSING A LOCATION FOR YOUR SOLAR SECURITY LIGHT

For optimum sun exposure and longer light output, place the solar panel, when attached to the Security Light, in a position that receives at least 6-8 hours of direct sunlight per day.

## HOW TO INSTALL YOUR SOLAR SECURITY LIGHT

Both the Security Light and the solar panel can be mounted vertically or horizontally onto a solid surface, using the supplied wood/sheet metal screws and anchors.



## BEFORE FIRST TIME USE OF YOUR SOLAR SECURITY LIGHT:

1. Ensure the power switch on the main body of your Security Light is in the OFF position
2. Leave the switch in this position for up to 3 days and make sure the solar panel is placed in direct sunlight.

## OPERATING YOUR SOLAR SECURITY LIGHT:

After the initial 3 day charge of your Solar Security Light, move the switch on the main body to the AUTO position. Your Solar Security Light is now ready for use.

Underneath the motion sensor, there are 3 adjustment dials: TIME/SENS/LUX. All 3 of these adjustment dials may be adjusted using the steps below

### TIME PERIOD ADJUSTMENT (TIME)

The time period control sets the duration that the Solar Security Light will be illuminated when activated. The time period is adjustable over a range of 10 seconds to 4 minutes. The shortest time period is with the TIME control set fully clockwise (-).

To adjust the time period, set the TIME control at a random position, trigger the sensor unit and measure the time period the light illuminates. Increase or decrease the time period by adjusting the TIME dial and re-trigger the sensor unit. Continue with this process until the desired time period is obtained.

To optimize battery use, we recommend you keep the factory setting of between 30 seconds and 1 minute of light when triggered. Longer activations will use up battery capacity more quickly.

### MOTION SENSOR ADJUSTMENT (SENS)

The sensitivity of the motion sensor on this Solar Security Light will be affected by temperature. The cooler the temperature the more sensitive the motion sensor will become. The sensor is most sensitive when the SENS dial is turned fully counter-clockwise (+).

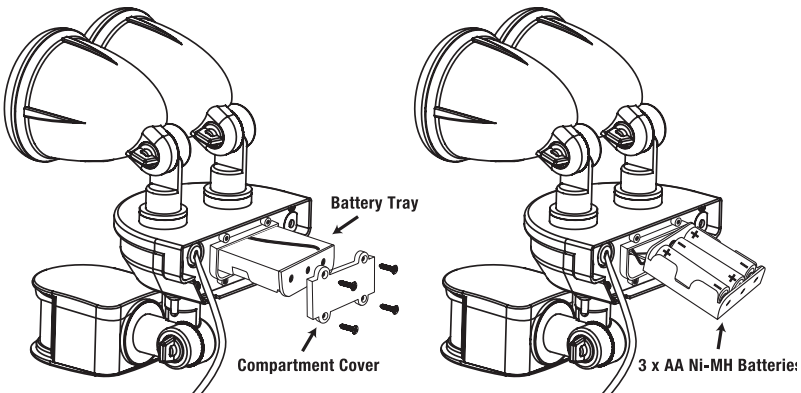
## LIGHT LEVEL ADJUSTMENT (LUX)

The LUX dial controls the natural light level that initiates operation and prevents the security light from operating during daylight hours. Typically it should be set at the middle.

To adjust the light level control, turn the LUX control fully clockwise toward the (☀). Wait until the natural light falls to the required level that you wish to activate your solar security light. Rotate the LUX control slowly counter-clockwise until the Solar Security Light illuminates.

## REPLACING THE RECHARGEABLE BATTERIES:

When the charging ability of the batteries decreases, you can replace the batteries with (3) three new AA Ni-MH 1.2 V rechargeable batteries. Follow the steps below when replacing the battery.



1. First remove the main unit from its mounted surface
2. Move the power switch on the main body to the OFF position.
3. Remove the four (4) screws on the battery compartment cover on the back of the main unit.
4. Carefully slide out the battery tray and turn the tray over.
5. Carefully remove the old batteries from the compartment by hand and replace with three (3) new AA Ni-MH 1.2V rechargeable batteries.
6. Turn the battery tray back over and reinsert the tray into the main unit
7. Replace the battery compartment cover and reinstall the four screws.

## MAINTENANCE TIPS:

Importantly, ensure that the solar cell charge panel is kept free of dirt and debris at all times. A dirty solar panel will not allow the batteries to fully charge and this will shorten the life of the batteries and may cause the light to malfunction.

## STORAGE

For optimal performance, we recommend that you do not store your Solar Security Light for prolonged periods of time. If you wish to store your light indoors for more than two or three days, turn to power switch to the OFF position to prevent damaging the battery.

## TROUBLESHOOTING

PROBLEM	POSSIBLE SOLUTIONS
Light will not switch on when there is movement in the detection area.	<ul style="list-style-type: none"> <li>• Ensure that the power switch on the body has been turned to the AUTO position</li> <li>• Ensure that the motion sensor has been positioned to face oncoming movement</li> <li>• Ensure that the battery has been fully charged in direct sunlight for 3 sunny days.</li> <li>• Check to see that the LUX control has not been set too far towards (☺).</li> <li>• Check to see that the solar panel is not near night time light sources.</li> <li>• The rechargeable batteries may need to be replaced</li> </ul>
Light switches on during the day.	<ul style="list-style-type: none"> <li>• The LUX control may be set too far towards the (☺) position.</li> </ul>
Light switches on for no apparent reason.	<ul style="list-style-type: none"> <li>• The SENS control may be set too far towards the (+) position.</li> <li>• Check for moving trees, traffic or pets.</li> <li>• Check for reflective objects in the detection area such as windows, water, or white walls.</li> <li>• Test the motion sensor by covering it completely with cardboard and waiting several minutes to make sure it does not detect motion. If the light still switches on, please contact MAXSA for further assistance.</li> </ul>
Light quickly flashes on and off or is not bright as normal.	<ul style="list-style-type: none"> <li>• Battery charge may be low. Turn the power switch to the OFF position and charge the battery for three (3) sunny days, ensuring the solar panel has been placed in direct sunlight.</li> <li>• The rechargeable batteries may need to be replaced.</li> </ul>

Please save these instructions for future reference.

When it comes to quality home lighting, MAXSA is the brand you can depend on.