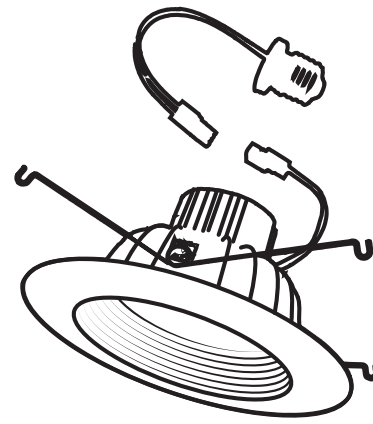


**retrofit**

# RECESSED LED DOWNLIGHT

**Beautiful LED Recessed Lighting Replacement For Your Home!**

Compatible With 5" - 6" Housings



**MAXSA**  
**INNOVATIONS**  
Creating Unique Products

Model #s: MXA-RD6-11W-XXX  
MXA-RD6-14W-XXX  
MXA-RD6-11W-XXX-277

## ASSEMBLY AND INSTRUCTION GUIDE

**IMPORTANT: Read all instructions carefully before use.**

**OPTIONAL** - MXA-RD6-11W-XXX, MXA-RD6-14W-XXX,  
MXA-RD6-11W-XXX-277

### IMPORTANT SAFETY INSTRUCTIONS

- **WARNING** - Risk of fire or electric shock. LED retrofit kit installation requires knowledge of luminaires electrical systems. If not qualified, do not attempt installation. Contact a qualified electrician.
- **WARNING** - Risk of fire or electric shock. Install this kit only in the luminaires that has the construction features and dimensions shown in the drawings.
- **WARNING** - To prevent wiring damage or abrasion, do not expose wiring to edges of sheet metal of other sharp objects.
- Do not make or alter any open holes in an enclosure of wiring or electrical components during kit installation.
- **WARNING** - RISK OF FIRE OR ELECTRIC SHOCK. DO NOT ALTER, RELOCATE, OR REMOVE WIRING, LAMPHOLDERS, POWER SUPPLY, OR ANY OTHER ELECTRICAL COMPONENTS.
- **WARNING** - RISK OF FIRE OR ELECTRIC SHOCK. INSTALLATION OF THIS RETROFIT ASSEMBLY REQUIRES A PERSON FAMILIAR WITH THE CONSTRUCTION AND OPERATION OF THE LUMINAIRE'S ELECTRICAL SYSTEM AND THE HAZARD INVOLVED. IF NOT QUALIFIED, DO NOT ATTEMPT THE INSTALLATION. CONTACT A QUALIFIED ELECTRICIAN.
- **CAUTION** - SHOCK AND FIRE HAZARD, DO NOT USE WHEN ENCLOSURE IS BROKEN.
- SUITABLE FOR USED IN ENCLOSED RECESSED LUMINAIRES.
- MIN. LAMP COMPARTMENT DIMENSIONS - 5"(D) x 5.5" (H) or 6" (D) x 5.5" (H), where D is minimum diameter and H is minimum height of listed recessed luminaire compartment, as applicable.
- SUITABLE FOR DAMP LOCATIONS.
- SUITABLE FOR TYPE IC OR SUITABLE FOR TYPE NON-IC.
- Maximum of 8 pcs of no. 12 AWG through branch circuit conductor.

### NOTES

1. Before starting or installation, please read this leaflet and keep it for future reference.
2. To avoid possible electrical shock, be sure that power supply is turned off at fuse box or circuit breaker before installing or servicing fixture.
3. During installation do not let the product surface rub against other hard objects or dropped on the floor, otherwise the product may be damaged.
4. Risk of fire supply conductors (power wires) connecting the fixture must be rated minimum 90°C. If uncertain, consult an electrician.
5. The luminaire must be securely mounted; the bare wires of the power cord must be properly insulated to prevent electrical hazards.
6. For indoor use only. Suitable for damp locations. Do not allow the light and its power supply to be in contact with water and other liquids in order to avoid leakage and electrical shock situations.

7. Before installation of any recessed lighting luminaire check your local electrical code. This code sets the wiring standards for you locality and should be carefully studied before starting.

8. Protect the light from dust and dirt when painting or during construction.

9. Clean with a soft damp cloth only. Do not use any chemical cleaners.

10. The luminaire light can be dimmed with standard triac dimmer.

(ONLY FOR MODELS MXA-RD6-11W-XXX, MXA-RD6-14W-XXX, MXA-RD6-XXX-277)

11. Power: 11W / 14W

12. Input: 120Vac, 60Hz, for E26 Lampholder

### INSTALLATION INSTRUCTIONS

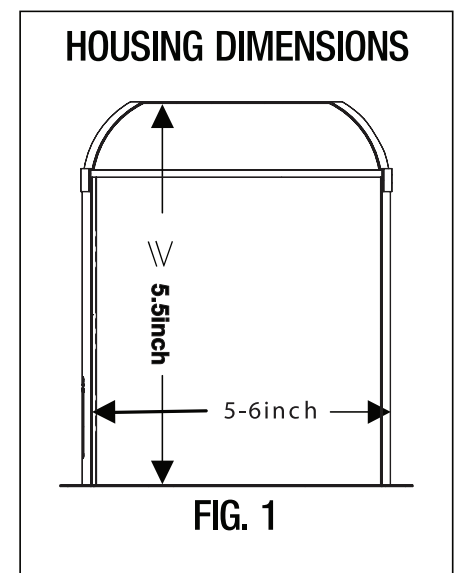
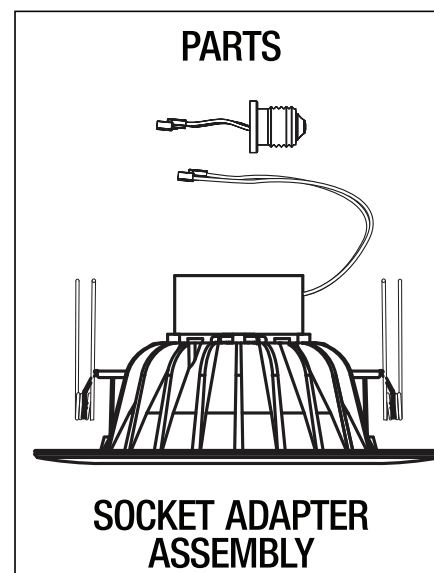
Recessed Housing and Dimmer Compatibility

LED Retrofit Luminaire is designed to install in standard 5"-6" recessed downlight housing.

Recommended dimmer such as Lutron and Leviton.

(ONLY FOR MODELS MXA-RD6-11W-XXX, MXA-RD6-14W-XXX, MXA-RD6-XXX-277)

Compatibility of housing not on this list may be determined by measurement of the housing as detailed in the attached drawing (FIG.1).



### HOUSINGS

This recessed luminaire has an E26 Edison screw-base and is UL listed for installation in shallow recessed housing series.

### HALO

LED Can

5 Inch: H550ICAT, H550RICAT

6 Inch: H71CT, H71CAT, H71CATNB, H71RICAT, H71RICT, H71UCAT, H71UCT, H750RICAT, H750ICAT, H271CAT, H271CT, H271RICAT, H271ICT, H271RICAT, H51CAT, HRICAT, H750TCP

CFL Can

5 Inch: H524ICAT, H524RICAT, H570ICAT, H570RICAT, H571ICAT, H572ICAT, H572RICAT, H573ICATLD, H573RICATLD, H51CAT, H5RICA, H5T, H5RT

### ALL-PRO

Incandescent Can:

5 Inch: EI500AT, EI500RAT, ET500, ET500R.

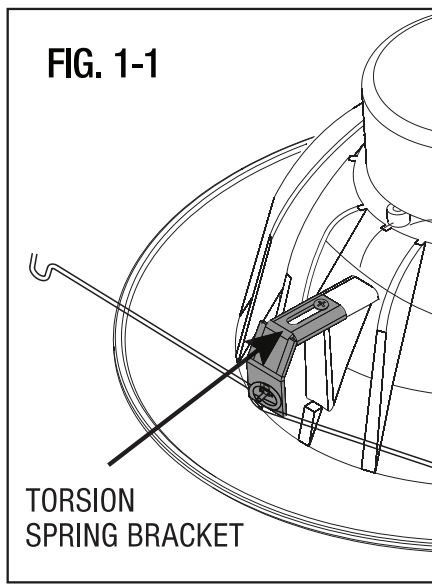
6 Inch: EI700, EI700AT, EI700ATNB, EI700NB, EI700RAT, EI700U, EI700UAT, EI2700, EI2700AT, EI500AT, EI500RAT

### JUNO

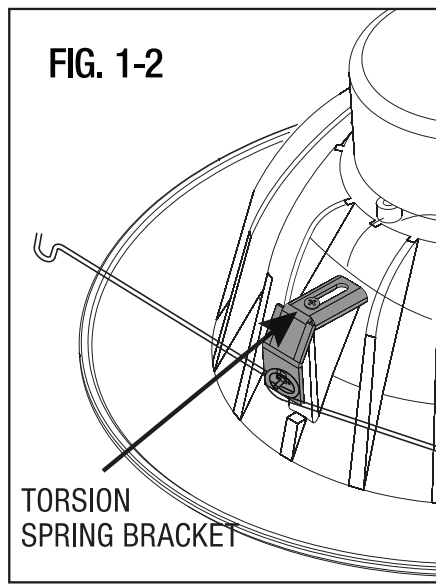
5 Inch: TC20R, TC20S, TC20, IC20R, IC20N, IC20NW, IC20S, IC20W, IC20, IC25R, IC25W, PL526RE, ICPL526REN, ICPL518E

6 Inch: IC22, IC22R, IC22W, IC22S, IC23, IC23W, IC21, IC21R, IC25, IC25W, IC25S

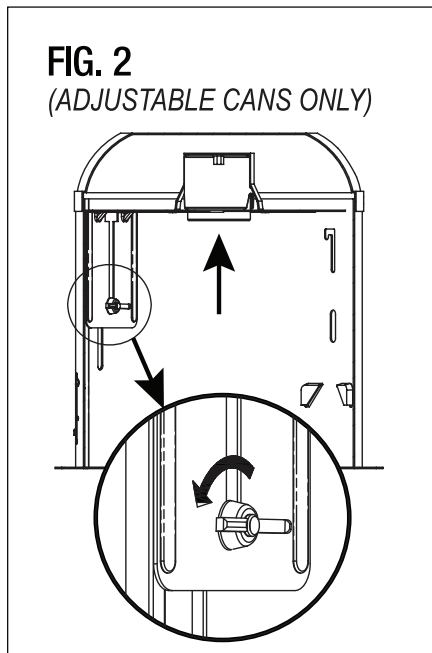
For additional product and ordering information, please refer to the latest manufacturer specification.



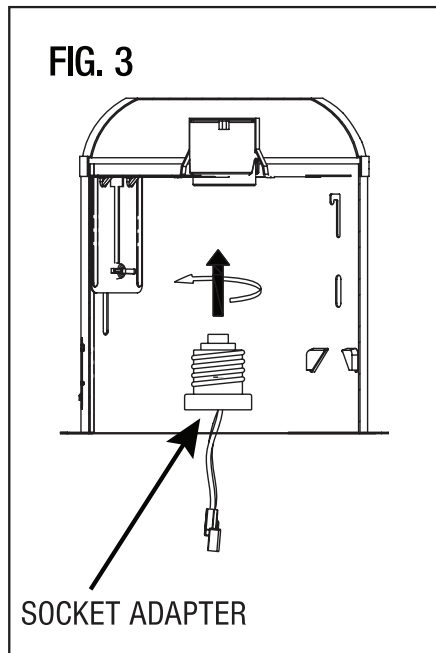
SET FOR 6"



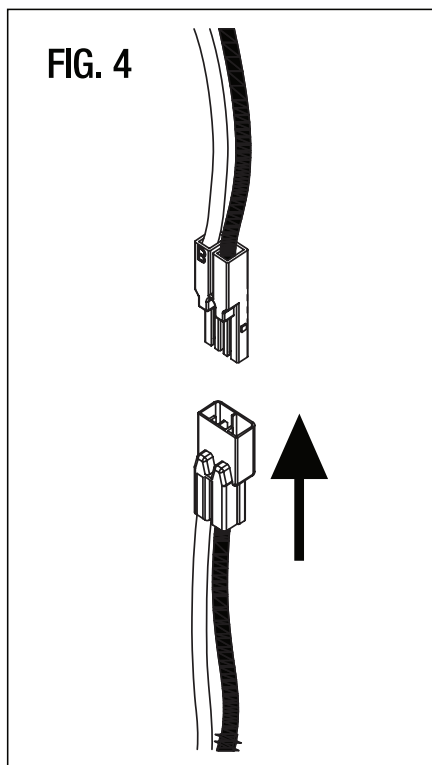
SET FOR 5"



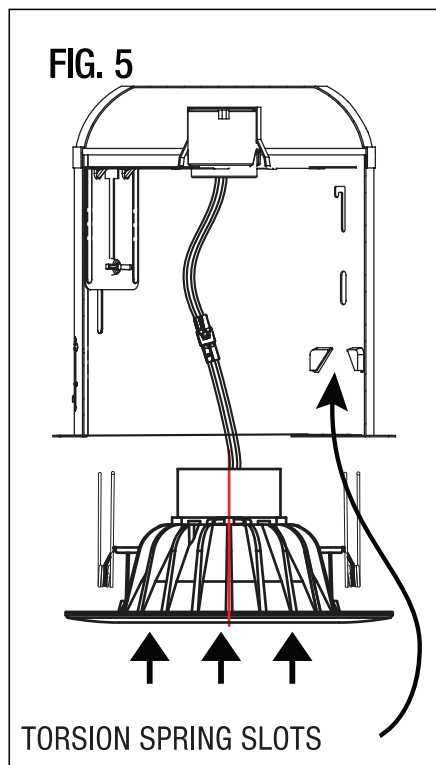
ADJUST ROOF OF CAN TO HIGHEST POINT



SCREW PLUG INTO LIGHT SOCKET



CONNECT WIRES BETWEEN PLUG AND LUMINAIRE



INSTALL LUMINAIRE IN HOUSING CAN

## INSTALLATION INTO HOUSINGS

1. Loosen Torsion Spring Brackets with a screwdriver. If installing the luminaire into a 6" housing can, move the Torsion Spring Brackets as far outward as they can go, as shown in FIG. 1-1. If installing the luminaire into a 5" housing can, move the Torsion Spring Brackets as far inward as they can go, as shown in FIG. 1-2. Once the Torsion Spring Brackets are in the correct position, tighten them with a screwdriver
2. If you have an adjustable housing can, you will want the roof of the housing can to be in the highest possible position. Loosen the wing nut inside the housing can and move the roof of the housing can with the light socket as far up in the housing can as possible, as shown in FIG. 2.
3. Thread the socket adapter into the socket as shown in FIG. 3.
4. Plug the male connector of the Socket Adapter into the female connector of the Luminaire as shown in FIG. 4. For model MXA-RD6-11W-XXX-277, connect the black wire to L and the white wire to N.
5. Squeeze both Torsion Spring Arms together and insert into the Torsion Spring Slots (or Receiver Brackets) of the housing can. Tuck all wires into the housing can and carefully push the luminaire into the housing can as shown in FIG. 5. NOTE: For shallow housing cans, be sure there is no interference between the socket adapter, the wires, and the luminaire.
6. Remove thermal protector used in the listed recessed luminaire if need. (also applicable to led housing with connector)

## REPLACING LED LUMINAIRES

With fingertips, pull down firmly on trim ring until module stops.

Squeeze torsion springs together to remove led module.

Disconnect led module wiring from recessed can (led connector or screw in edison base.)

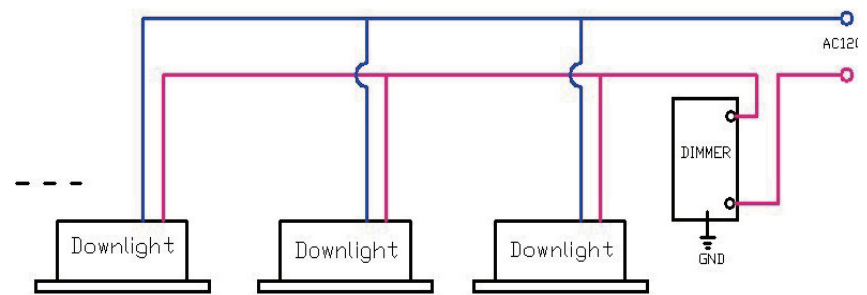
## DIMMING

(Only for models MXA-RD6-11W-XXX, MXA-RD6-14W-XXX, MXA-RD6-XXX-277)

The LED luminaire can be dimmed with many standard incandescent dimmers, however, an electronic low voltage version of a standard dimmer (with neutral connection) is recommended for many applications. Updates in dimmer technology and special conditions may apply depending on the dimmer type being used. To be assured of the latest information regarding luminaire and dimmer compatibility, please contact dimmer manufacturer.

## ELECTRICAL CONNECTION

(Only for models MXA-RD6-11W-XXX, MXA-RD6-14W-XXX, MXA-RD6-XXX-277)



## PACKING LIST

1. LED luminaire (with LED driver)
2. 18# Black/White connecting wire with E26 lamp holder/connecting wire without base (for L/N input)