

ME-AGS | AUTOMATIC GENERATOR START MODULE

AUTOMATICALLY START YOUR GENERATOR

Introduction

Imagine being able to enjoy a day away all-the-while knowing your living space will stay cool and comfortable and your batteries will stay charged and ready for all of the activities that make up daily life. There's nothing better than returning to a nice, cool, comfortable home with charged batteries after a day away. The Auto Gen Start ME-AGS can make this happen.

The ME-AGS is compatible with most major generators, including Onan, Powertech, Generac, Westerbeke, Kohler, EPS, Northern Lights, and most portable generators with electric start. Please check with your Sensata Technologies dealer for specific model compatibility.



Features

- Automatically start your generator – The AGS is designed to automatically start your generator based on low battery condition or the inside room temperature.
- Adjust the AGS to meet your needs – With the ME-AGS-N you can set multiple parameters for starting and stopping the generator. Using the ME-RC, the ME-AGS-N has basic adjustments starting on battery voltage or temperature. When using the ME-ARC, the ME-AGS-N has advanced start and stop features, including battery voltage, time of day, AC amps, exercise time, and SOC.**
- Two models are available – The stand alone version of the AGS (ME-AGS-S) works well for installation and operation without an inverter. The network version of the AGS (ME-AGS-N) allows operation of the AGS via the ME-RC or ME-ARC remote panel.

ME-AGS-N Features*

- All settings are adjustable from the ME-RC and ME-ARC remotes.
- Auto start is locked out when utility power is present.
- View generator Start and Fault statuses.

Options

- ME-AGS-N kit includes – AGS module (3 relay), 10' network cable, and a 60' remote temperature sensor cable.
- ME-AGS-S kit includes – AGS module (3 relay), Remote on/off/test switch, switch bezel, a 25' 6-wire cable, and has basic adjustments starting on battery voltage or temperature.

** SOC feature requires the ME-BMK or ME-BMK-NS

Model Numbers

- ME-AGS-S
- ME-AGS-N

Works With

- ME Series Inverter/Charger
- MS Series Inverter/Charger
- MSH-M Series Inverter/Charger

The ME-AGS-S does not require an inverter/charger.

Available Accessories

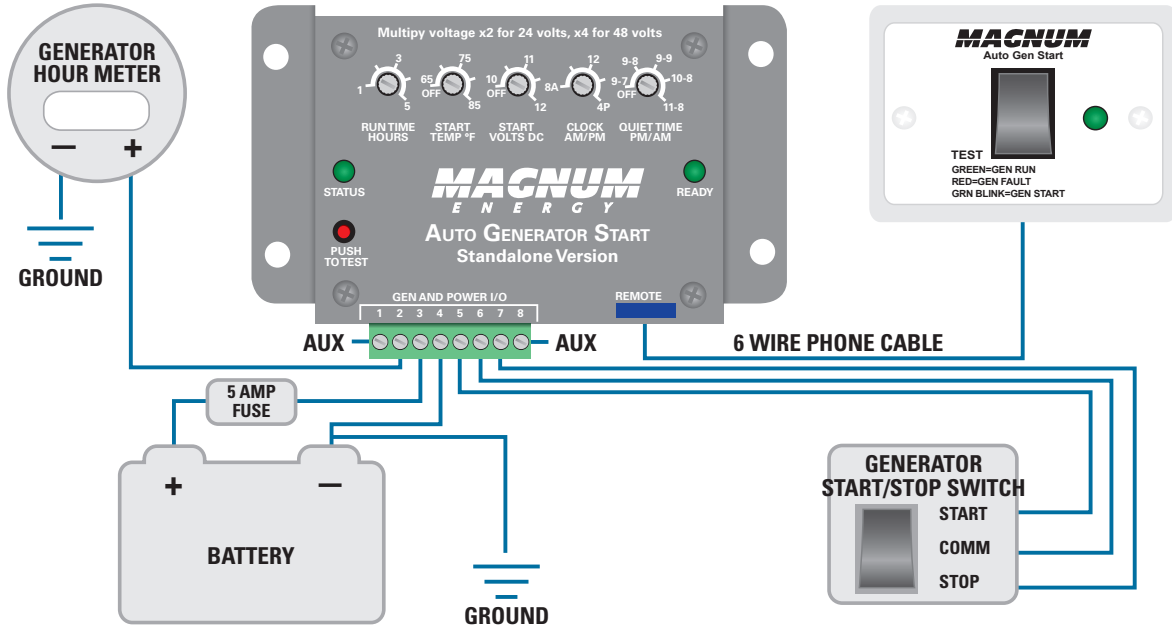
- ME-PT1
- ME-PT2

Please call and ask about our PT-1 and PT-2 pigtails for starting on demand applications.

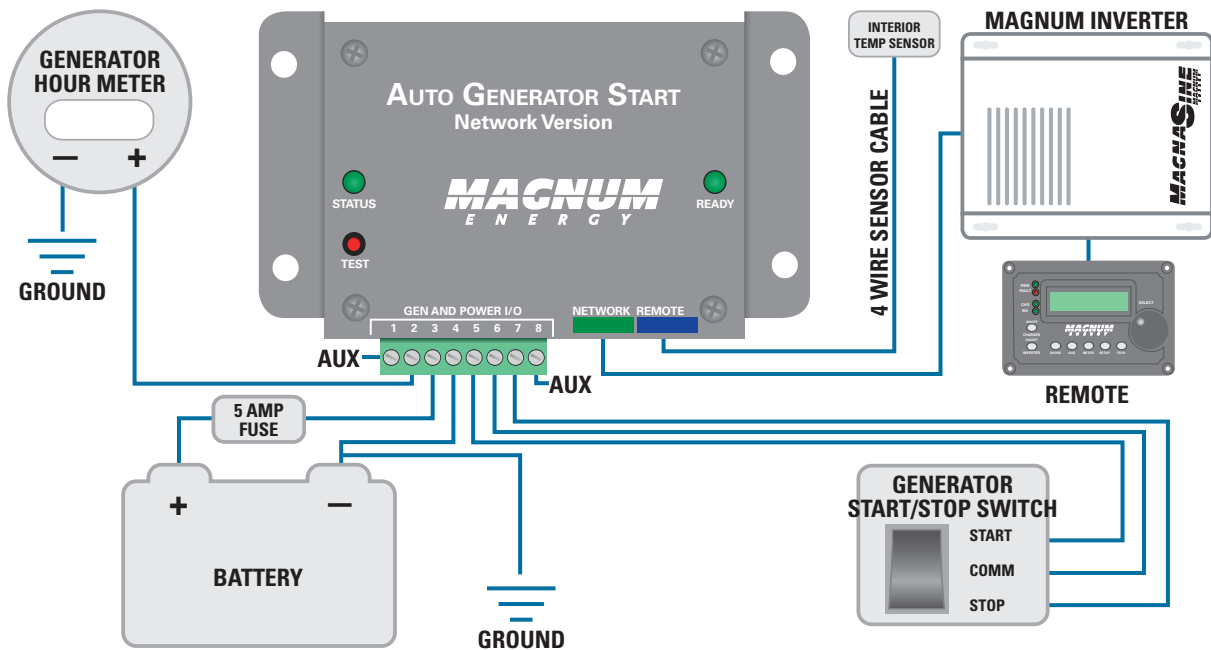


DIAGRAMS

AGS Wiring Diagram for Stand Alone Systems (ME-AGS-S)



AGS Wiring Diagram for Networked Systems (ME-AGS-N)



GENERAL NOTES

* AGS-N features require Remote rev 1.6 and AGS rev 5.0 or higher.
 Testing for specifications at 25° C.
 Specifications subject to change without notice.