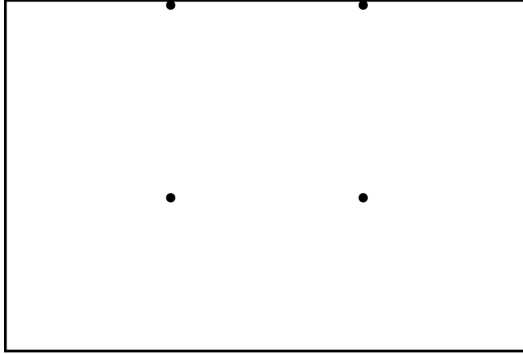


Measuring A Round Rail

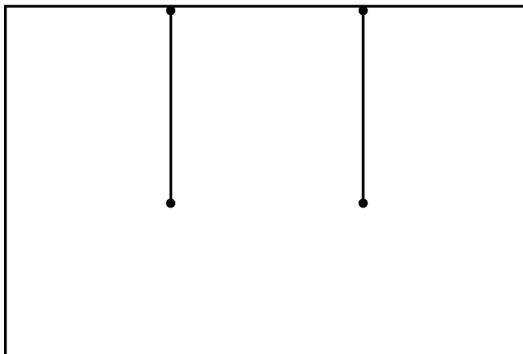
STEP 1



Step 1

Using a ruler on heavy paper, card stock or the bottom of an envelope, accurately measure and mark parallel dots to the size of rail you think you have as shown. If you think you have 1.0 inch railing, mark the dots exactly 1.0 inch apart.

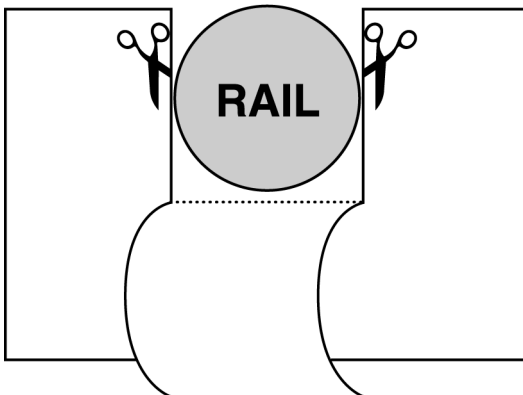
STEP 2



Step 2

Using a ruler, accurately draw lines between the dots as shown.

STEP 3



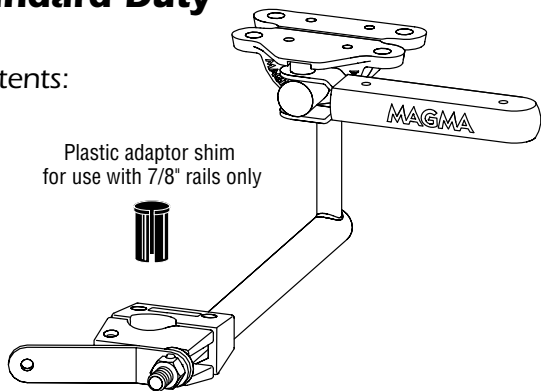
Step 3

With a razor or scissors, carefully cut along the lines, fold back the cut area and insert on your railing. If the fit is incorrect, repeat from step 1, adjusting either up or down until you get the correct rail size.

Fits Magma Rectangular Grills, Single Mount "SM" and Tournament Series Tables

Standard Duty

Contents:



Plastic adaptor shim for use with 7/8" rails only

Fits Standard Round Rails 7/8" (22mm) or 1" (25.5mm)

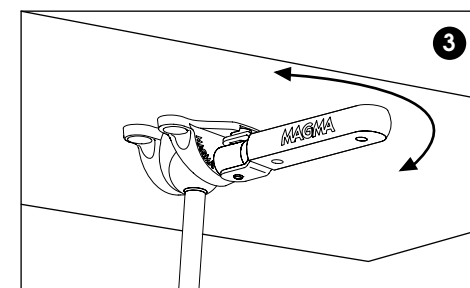
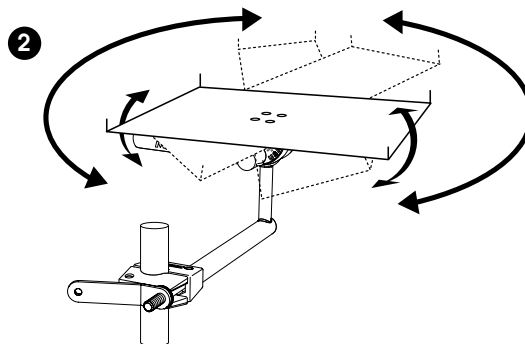
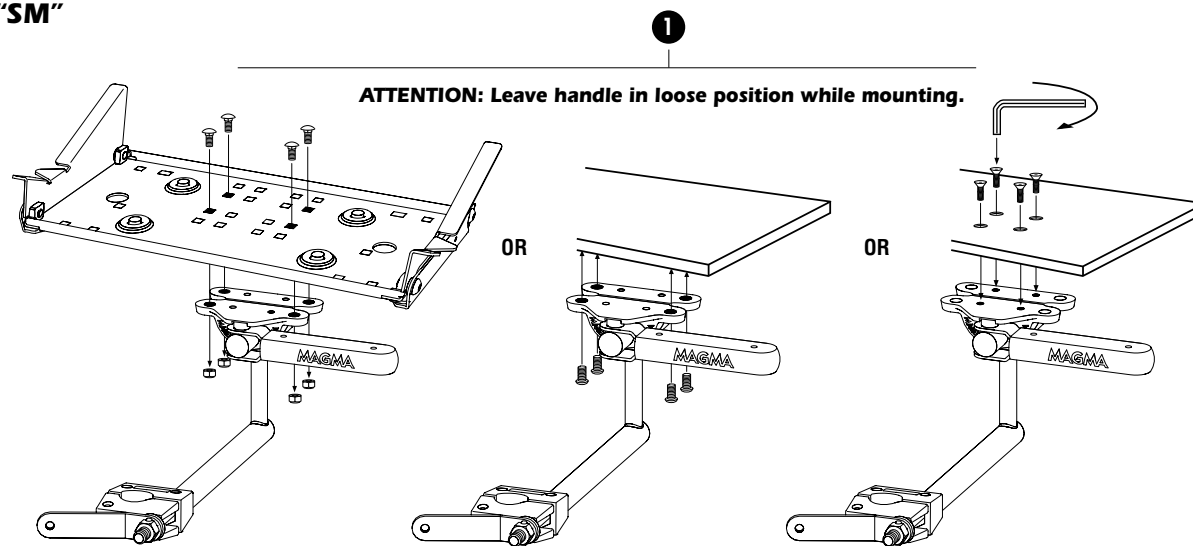
This mount combines the versatility of our popular "LevelLock"® all-angle quick release, cam-action mount for instantaneous leveling, with our sturdy vertical, out-over-the-water Round Rail Mount. This mount is made entirely of 18-9 stainless steel and 356 anodized aluminum to outlast even the most severe marine environments. Quickly disassembles for stowage without tools, leaving no hardware on the rail.

• CAUTION •

Plastic adaptor shim not for use on horizontal or diagonal rails, use only on vertical rails.

NOTE: Instructions and fasteners for mounting to Magma Rectangular Grills, Single Mount "SM" and Tournament Series Tables are included with the grills and tables.

Note: Not recommended for use with the A10-1225 "Monterey" Gourmet Series Gas Grill.



IMPORTANT: Make sure that the handle is tightened fully.

