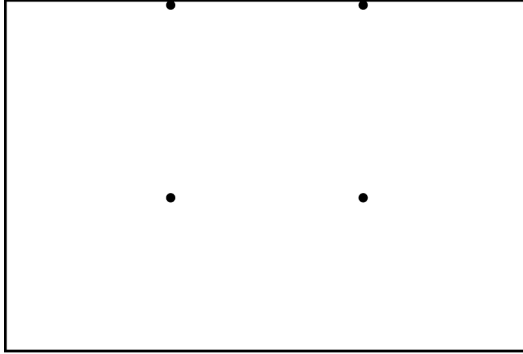


Measuring A Round Rail

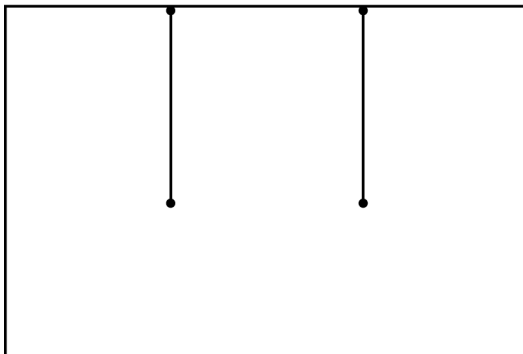
STEP 1



Step 1

Using a ruler on heavy paper, card stock or the bottom of an envelope, accurately measure and mark parallel dots to the size of rail you think you have as shown. If you think you have 1.0 inch railing, mark the dots exactly 1.0 inch apart.

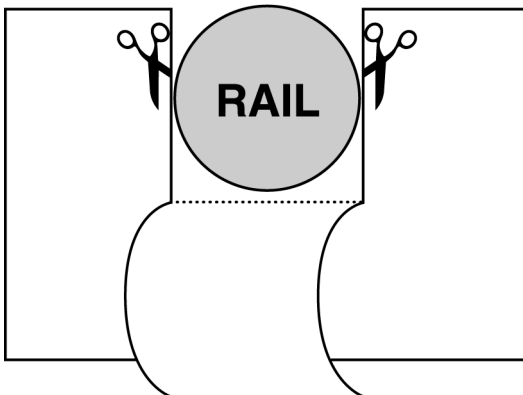
STEP 2



Step 2

Using a ruler, accurately draw lines between the dots as shown.

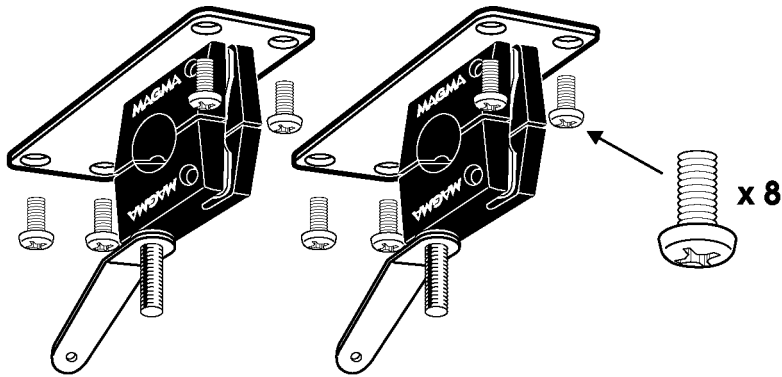
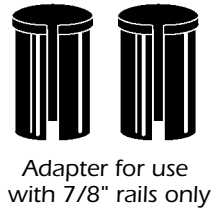
STEP 3



Step 3

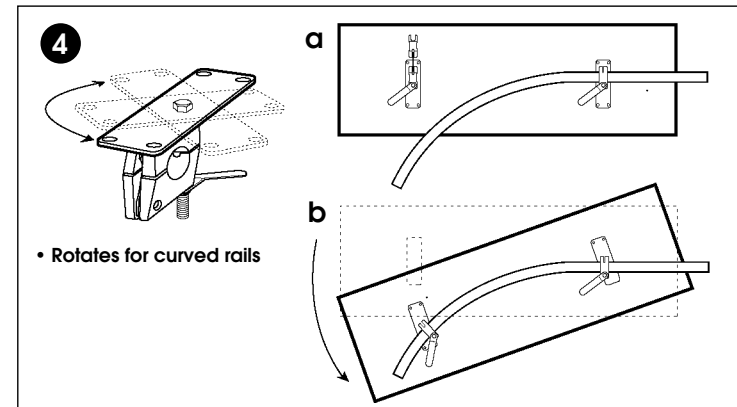
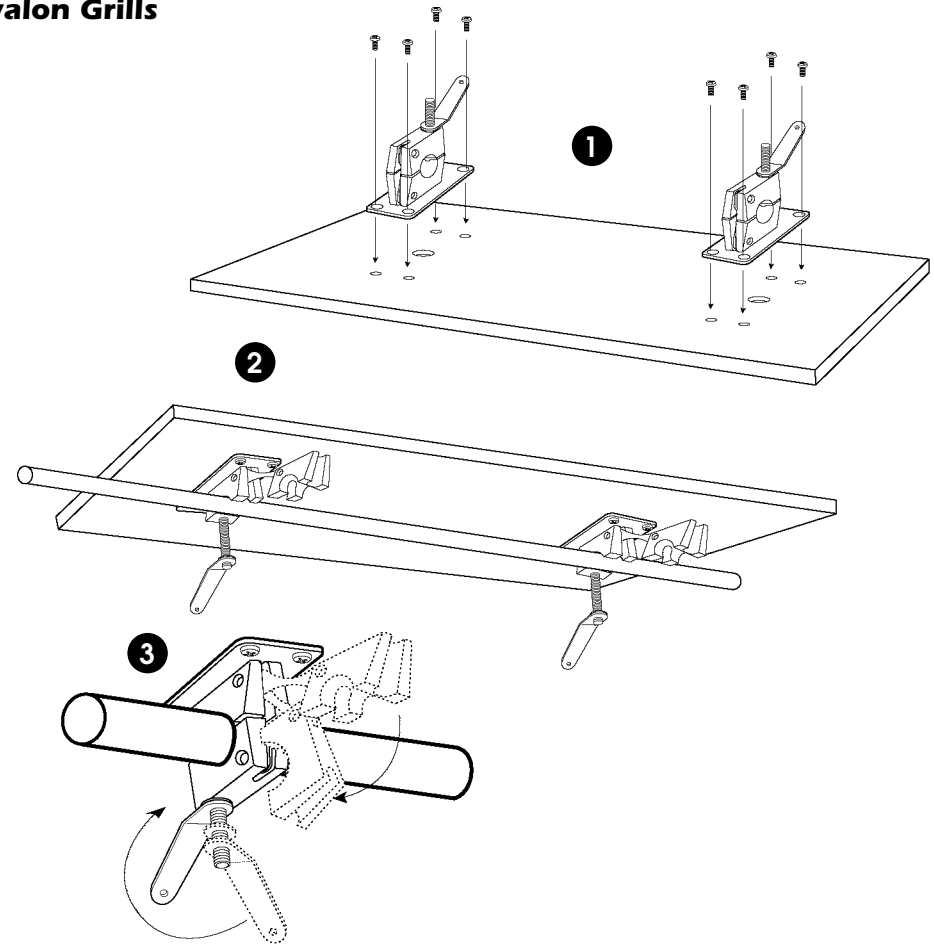
With a razor or scissors, carefully cut along the lines, fold back the cut area and insert on your railing. If the fit is incorrect, repeat from step 1, adjusting either up or down until you get the correct rail size.

Use with Dual Mount "DM" Tables or Gourmet Series and Avalon Grills
Heavy Duty



Fits Standard Round Rails 7/8" or 1" (22mm or 25mm)

These incredibly strong rail mounts have a unique pivoting design which allows them to mount on straight or curved rail or across the corner of a stern rail. Made of 18-8 stainless steel and 356 anodized aluminum, they instantly detach without tools for compact storage.



NOTE: Instructions and fasteners for mounting to Gourmet Series Grills are included with the grill.