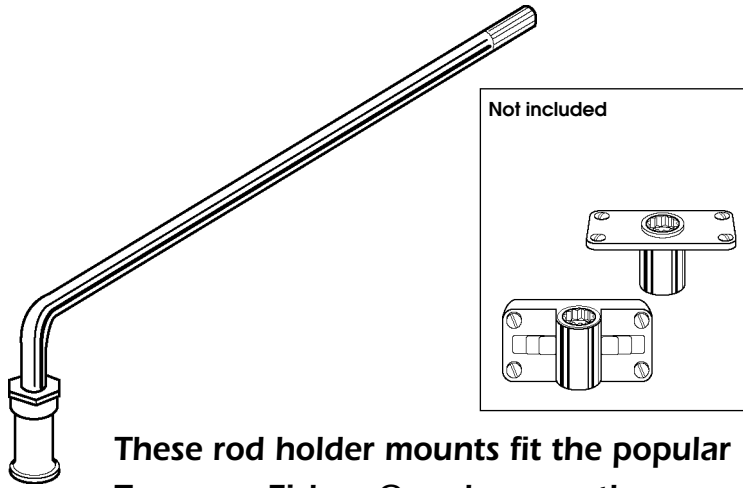


**Fits Tempress Fish-On® and Roberts Rod Holder Sockets**



**These rod holder mounts fit the popular Tempress Fish-on® and many other socket type rod holder mounts. They allow the "Marine Kettle"® to be locked in 12 different positions and quickly disconnects for easy storage without tools. Rod holder sockets not included.**

18-8 stainless steel

**INSTRUCTIONS**

