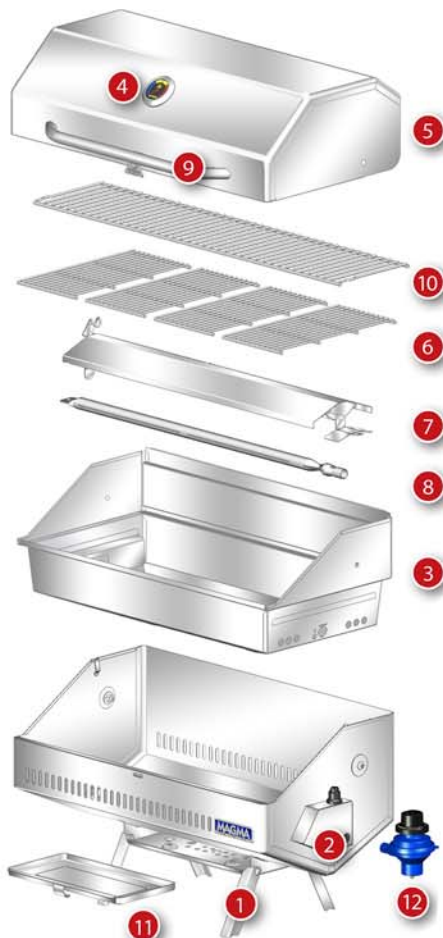


The Magma Advantage
Monterey II
 GOURMET SERIES

Gas Grill



A10-1225-2



- 1** **Fold-Away Legs**
Perfect for picnics, tailgating, camping, the beach or the park.
- 2** **Electronic Ignition (AAA Alkaline battery included)**
- 3** **Full Double Lined Lower Safety Shell**
Funnels grease into front access grease tray reducing flare-up and heat discoloration.
- 4** **Stainless Steel Hermetically Sealed Thermometer**
- 5** **Perfectly Balanced, Lockable Lid**
Won't slam shut and secures all inner components for transport.
- 6** **Stainless Steel Grill Grates**
Durable Stainless Steel, sectional grates fit nicely in sinks or dishwashers
- 7** **Stainless Steel, Snap-Out, Dual Element Radiant Plate**
High even radiant heat, higher heat / less fuel
- 8** **Stainless Steel Turbo Burner**
Durable Stainless Steel, Anti Blow-out Turbo Design, High even heat, Premixes air & fuel for consistently hot blue flame
- 9** **Full Length Stainless Steel Handle**
Gives access from either side and makes mounting & transport easy.
- 10** **Warming Rack, Secondary Grilling Area**
For slow grilling or warming.
- 11** **Front Access, Lock-In-Place Grease Tray**
- 12** **Swiveling Valve/Regulator** Allows quick, safe gas bottle exchange.

When it comes to quality grills & smokers, Magma is the brand you can depend on.