



LIPPERT
COMPONENTS®

360 Siphon® Aftermarket Manual

360 Siphon® Generation 2



Table Of Contents

Introduction	2
Parts List	2
Preparation	3
Resources Required	3
Installation Options	3
Modified Installation	3
Cap 1	4
Cap 2	5
Cap 3	5
Cap 4	6
Cap 5	6
Complete Installation	8



LIPPERT
COMPONENTS®

360 Siphon®

Aftermarket Manual

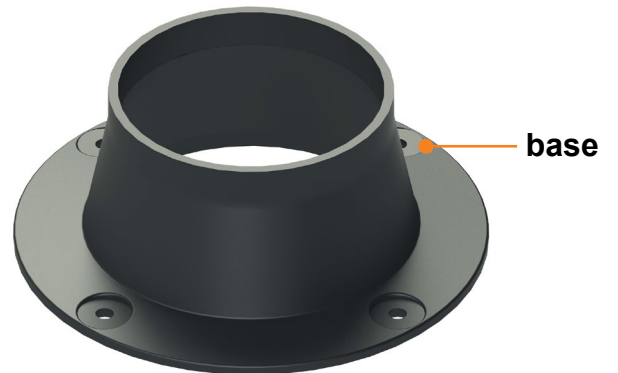
Introduction

The 360 Siphon® RV holding tank vent cap removes odors from the source — the holding tanks — and exhausts them out through the roof vent before they have a chance to invade the RV living space. By design, the patented 360 Siphon® can only create an updraft, expelling odors and fostering an oxygen-rich environment to speed up waste breakdown. Even environmentally-friendly tank additives can take up to 48 hours after use to fully oxygenate a standard holding tank. The 360 Siphon® acts immediately after installation in any wind condition (with or without a breeze) to provide the ideal environment for proper decomposition, so caustic chemicals and perfumed cover-ups are no longer needed.

The 360 Siphon® can be installed to any RV in less than 20 minutes. The 360 Siphon® replaces factory-installed vent caps and is a permanent, one-time, maintenance-free application.

- Prevents odors and gases from invading RV living space
- Speeds up waste breakdown, eliminating the need for chemicals
- Sophisticated, patented design with no moving parts
- Works in any wind condition
- Made in America of strong polycarbonate
- Available in black or white
- Easy installation and universal fit
- Built-in bug screen
- No maintenance

Parts List



Color	Part#	Description
Black	389380	360 Siphon Packaged
White	389381	360 Siphon Packaged



Preparation

Note: Blue lines within images refer to using adhesive/sealant on the designated area, while red lines refer to using a saw.

Resources Required

- Saw (Only for Modified Installation)
- Screwdriver
- Putty knife or scraper (Only for Complete Installation)
- Adhesive/Sealant (House Hold Goop, Sikaflex 221, 3M 5200 or equivalent)
- ABS or PVC Adapter Sleeve*
 - *Adapter sleeve may not be required for all applications and is not included in the 360 Siphon kit. To determine if the adapter sleeve is required, the lid must be removed and vent stack internal diameter measured.

Installation Options

1. Modified (Quick Fix)
 - A. Only recommended if the existing vent base and sealant are properly installed and working.
2. Complete
 - A. If the original cap has no seal around the stack to roof hole, the cap is UV damaged or the stack is not centered and a clean installation is required.

Modified Installation

Note: Roof fasteners and roof sealant not shown in this document.

1. There are two requirements for a successful install.
 - A. Water that might enter the Siphon® port must drip into the stack (purpose of the funnel).
 - B. The 360 Siphon must be sealed to the old base (purpose of the collar).
 - I. The 360 Siphon will work properly with or without the collar as long as there is a proper seal between stack and base.
2. Gain access to stack pipes performing the modifications depicted in Cap 1, 2, 3, 4 and 5.

3. Assess the stack height and diameter.

A. Things to consider before proceeding:

- I. If the stack is not 1 1/2" internal diameter, then purchase a PVC adapter sleeve to convert it from either 2" or 1 1/4" to the 1 1/2".
- II. If the stack is too short for the funnel to connect between the stack and the base, an adapter sleeve and/or small extension might be required.
- III. If using the funnel and the funnel is too long, it may be cut down to get good contact between the stack and lid. (Fig.1).

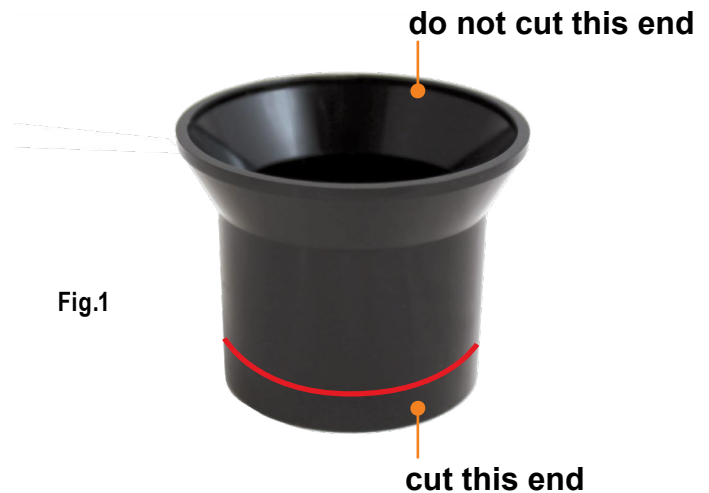


Fig.1

- IV. The existing base can be modified in any way to accommodate the 360 Siphon, stack or adapters as long as a good seal is achieved.

Note: Do not cut the base so short that the base becomes too wide to attach the collar.

- V. The lid will also accommodate a 2 3/8" outer diameter pipe (2" PVC) or adapter. If that procedure is used, the collar will not fit so make sure all openings are sealed to avoid water intrusion.



LIPPERT
COMPONENTS*

360 Siphon®

Aftermarket Manual

4. Dry fit all parts prior to adding any adhesive/sealant.
5. Apply a small amount of adhesive/sealant around the perimeter of the funnel that fits into the lid and insert (Fig.2).

Fig.2



6. If applicable, apply a small amount of adhesive/sealant around the top of the collar (Fig.3) and attach to the lid.

Fig.3



7. Apply adhesive/sealant to the bottom of the collar (Fig.4) and seal the 360 Siphon assembly to the existing base, making sure the funnel extends into the stack pipe.

Fig.4



adhesive/sealant
underneath

Cap 1 (Fig.5, Fig.6 and Fig.7)

1. Remove the lid by removing the single screw on the top.
2. Use a saw to cut off the 8 legs and lid support.



Fig.5



Fig.6

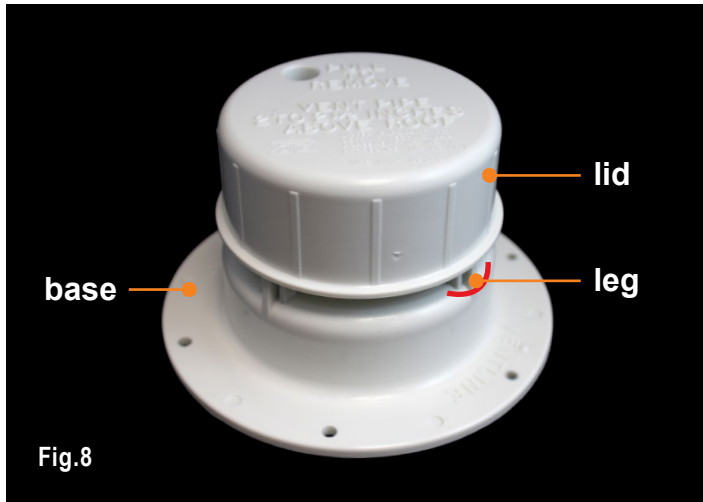


Fig.7



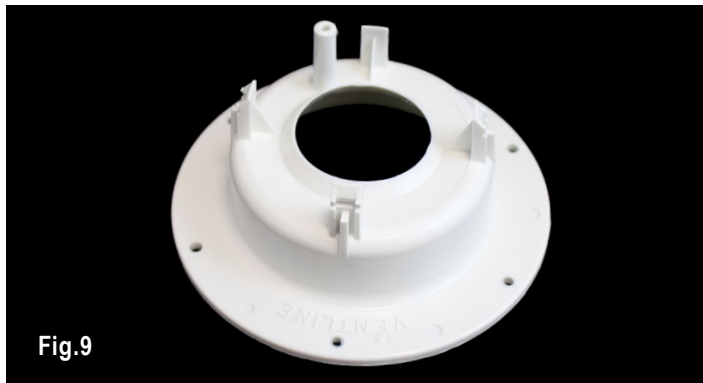
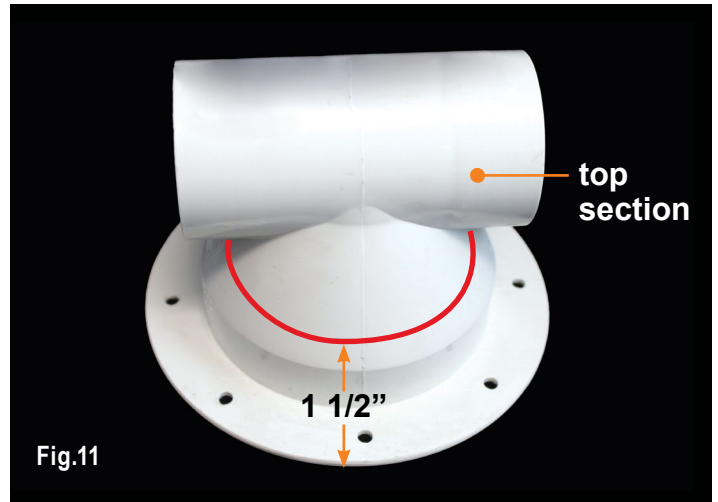
Cap 2 (Fig.8, Fig.9 and Fig.10)

1. Remove the lid by removing the single screw on the top.
2. Use a saw to cut off the 4 legs and screw support as close to the base as possible.



Cap 3 (Fig.11 and Fig.12)

1. Use a saw to cut the top section off 1 1/2" above the roof.





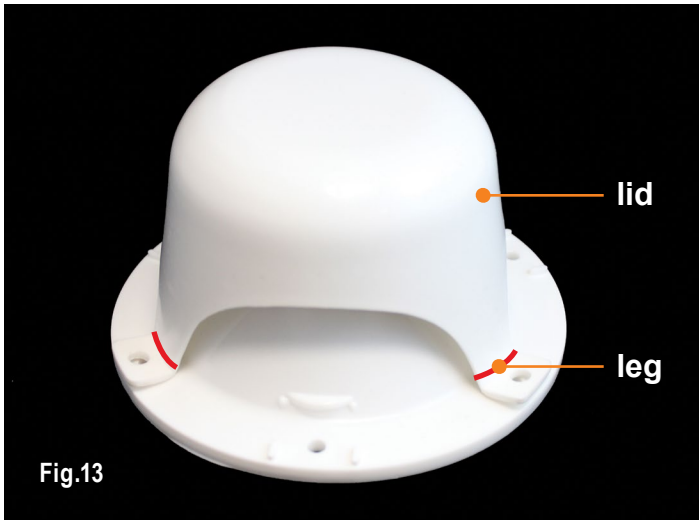
LIPPERT
COMPONENTS®

360 Siphon®

Aftermarket Manual

Cap 4 (Fig.13 and Fig.14)

1. Use a saw to cut off the 3 legs that secure the lid, cut low without touching the roof seal.



Cap 5 (Fig.15 and Fig.16)

1. Use a saw to make a cut 1/2" from the top of the base.





LIPPERT
COMPONENTS®

360 Siphon®

Aftermarket Manual

When completed, the modified installations using the 360 Siphon RV holding tank vent cap with the existing bases will look similar to the pictures depicted on this page.

Note: Roof fasteners and roof sealant not shown.





LIPPERT
COMPONENTS®

360 Siphon®

Aftermarket Manual

Complete Installation

1. Remove old cap by gently removing the seal around the base, making sure not to damage the roof top membrane.
2. Unscrew the base from the roof.
3. Clean off the roof, fill the screw holes and check the seal around the stack.
4. Dry fit the base, funnel and lid for proper fit (Fig.17).

Note: Review Modified Installation section step 3 for any concerns on the stack height and diameter.

5. Apply a small amount of adhesive/sealant around the perimeter of the funnel that fits into the lid and insert (Fig.18).
6. Locate the base over the stack pipe and screw to the roof.
7. Apply self leveling caulk around the base making sure to cover the screws.
8. Apply sealant to the base and to the inside of the lid and connect, making sure the funnel extends into the stack pipe.

Fig.17



Fig.18



LIPPERT
COMPONENTS®